



PLASMA

INDEX

REPLACEMENT PARTS

Autogen	PHB 120	7
Binzel	PSB 60/80/121 PSB 30/31p5 PSB 31KK	7
Cebora	P30 CP-40 / P50 P-70 CP-90 P-150 / CP 160 P 50 / 70 / 90 / 150	10
Dinse	PX 101 EL 60/120	16
ESAB / L-TEC	PT-17 PT-19XL PT-20 / 23 / 27 / 31 / 31XL / 121	25
Hobart	SMOTH CUT 140	27
Hypertherm	MAX 20 POWERMAX 350 POWERMAX 380 MAX 40CS / MAX 42 / MAX 43 POWERMAX 800 / 900 / 600 / 1000 / 1250 / 1650 MAX 40 / 100 HT-2000	28
Kjellberg	PB-S40WH/L / PB-S20W/WH / S-25W/WH PB-S-45W/WH1 PZ-S45W PERCUT 100	34
Komatsu	G 940 / 990	36
Lincoln	PCT80 PROCUT 20 / 55 / 80 T100	37
Messer Griesheim	PCH 60 / 95 / 100 PCM 250	38
Miller	APT 3000 / 5000 / 7000 / 8000 ICE 25C / 27C / 50C / 55C / 55CM / 25C / 27C	39

ERGOWELD S.L. no mantiene ninguna afiliación con las marcas mencionadas en este catálogo. Referencias, nombre y modelos de antorchas son citados tan solo por conveniencia de identificación. Advertimos que las piezas ofrecidas no son originales y están fabricadas por terceros como compatibles. El uso de la marca registrada corresponde a sus propietarios o personas expresamente.

INDEX

REPLACEMENT PARTS

OTC	M 3000 D-7000 A50 / 70 D-8000 / 12000	42
Panasonic	PT-20C / 25C / 40 / 80 PTM-80 / 100	44
SAF	CPM 15 CP 40 R / 100 R P 30D CP 200 OPC150 CPM 200 / 300 / 720	52
Smith		55
Thermal Dynamics	PCH-10 / 25 / 25/38 / 26 / M-28 / M-35 / M-40 / M-60 / M-80 / M-75 / M-76	56
	PCH M-100XL / M-100 / M-120 / M-70 / M-140 / M-145 PCM-145 PCH/M-150 Maximizer 300	
	PCH-20 / 30 / 50 / M51 / M52 / M52P / M53P / M53 / M 4B(T) / M 6B M-200	
Trafimet	A81 / 101 / 141 / 151 S30 / 45 A 53 S 54 / 74 / 75 A60 / 80 P80	84
	Ergocut A81 / Autocut P81 A90 / P90 Ergocut A101 / Autocut P101 A140 / P140	
	Ergocut A141 / Autocut P141 R 145 / R 145 P Ergocut A151 / Autocut P151	
Union Carbide	PT/M-100	102
CENTRAL ADAPTORS		103
END FITTINGS		104

ERGOWELD S.L. no mantiene ninguna afiliación con las marcas mencionadas en este catálogo. Referencias, nombre y modelos de antorchas son citados tan solo por conveniencia de identificación. Advertimos que las piezas ofrecidas no son originales y están fabricadas por terceros como compatibles. El uso de la marca registrada corresponde a sus propietarios o personas expresamente.







Compatible with:
TRAFIMET®

A90

TECHNICAL DATA



HF

 1 m	0,8 kg	1.76 lb
V PEAK		500
		5 bar
		180 l/min
X 60%		100A
X 100%		75A
		25÷30 mm







Compatible with:
TRAFIMET®

141

TECHNICAL DATA



HF

 1 m	1,1 kg	2,43 lb
V PEAK		500
		5 bar
		210 l/min
X 60%		140A
X 100%		100A
		35÷40 mm



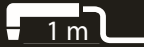





Compatible with:
CEBORA[®]

150

TECHNICAL DATA



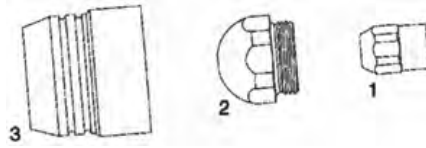
HF

 1 m	0,8 kg		1.76 lb
V PEAK			500
 			5 bar
 			200 l/min
X 60%			150A
X 100%			110A
			35÷40 mm

REPLACEMENT PARTS SUITABLE FOR:

AUTOGEN RITTER®

PHB 120®

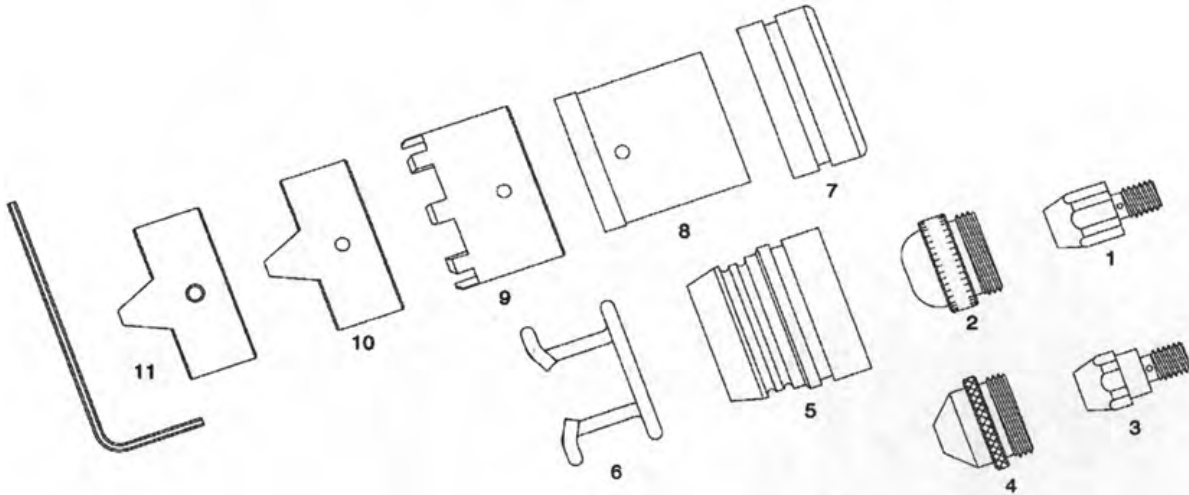


ITEM	CATALOG NUMBER	DESCRIPTION	STD. QTY
1	CS412-02-00	ELECTRODE	10
2	CS412-04-10	TIP 1.0	10
	CS412-04-12	TIP 1.2	10
	CS412-04-14	TIP 1.4	10
	CS412-04-16	TIP 1.6	10
	3	CS413-05-00	NOZZLE CAP W/INBUILT SAFETY

REPLACEMENT PARTS SUITABLE FOR:

BINZEL®

PSB 60/80/121®

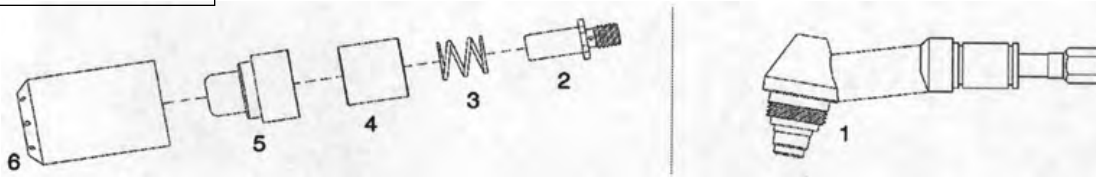


ITEM	CATALOG NUMBER	DESCRIPTION	STD. QTY
1	CS743.0077	ELECTRODE ZR	10
	CS743.0067	ELECTRODE HF	10
2	CS743.0122	TIP 1.0	10
	CS743.0143	TIP 1.3	10
	CS743.0132	TIP 1.5	10
	CS743.0209	TIP 1.8	10
	CS743.0355	TIP 2.0	10
	3	CS743.0425	ELECTRODE TAPERED
4	CS743.0202	TIP 30° 1.0	10
	CS743.0261	TIP 30° 1.3	10
	CS743.0203	TIP 30° 1.5	10
	CS743.0262	TIP 30° 1.8	10
5	CS743.0131	SPRING SUPPORT	5
6	CS743.0149	SPACER SPRING	10
7	CS743.0125	DISTANCE SLEEVE	5
8	CS743.0126	DISTANCE NOZZLE SUPPORT	5
9	CS743.0127	SPACER NOZZLE CROWN	5
10	CS743.0168	DOUBLE POINTED NOZZLE	5
11	CS743.0267	DOUBLE POINTED NOZZLE W/SCREWS & KEY	5
N/S	CS51856	CIRCLE CUTTING ATTACHMENT	1
N/S	CS51812	CUTTING GUIDE	1

REPLACEMENT PARTS SUITABLE FOR:

BINZEL®

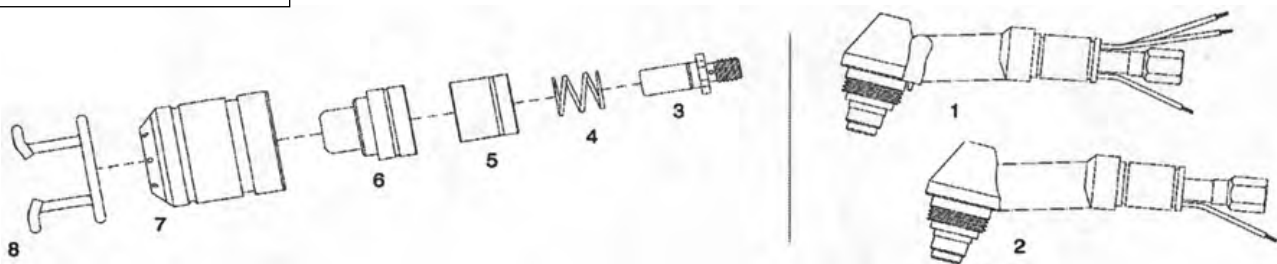
PSB 30®



ITEM	CATALOG NUMBER	DESCRIPTION	STD. QTY
N/S	CS744.0114	TORCH COMPLETE WITH 4 m CABLE (3/8" CONNECTION)	1
N/S	CS744.0115	TORCH COMPLETE WITH 6 m CABLE (3/8" CONNECTION)	1
1	CS744.0098	70° TORCH HEAD	1
N/S	CS744.0044	HANDGRIP COMPLETE WITH MICROSWITCH	1
2	CS744.0014	ELECTRODE 14.5 mm	10
	CS744.0013	ELECTRODE 15 mm	10
	CS744.0012	ELECTRODE 15.5 mm	10
3	CS744.0024	SPRING	10
4	CS744.0076	INSULATING SLEEVE-HF VERSION	5
	CS744.0023	SPRING SLEEVE	5
5	CS744.0010	TIP 1.0	10
	CS744.0061	TIP 1.2	10
6	CS744.0011	AIR DIFFUSOR INSULATOR	2
N/S	CS07784	AIR AND POWER CABLE 4 m (3/8" CONNECTION)	1
N/S	CS07786	AIR AND POWER CABLE 6 m (3/8" CONNECTION)	1
N/S	CS51854	CIRCLE CUTTING ATTACHMENT	1
N/S	CS51810	CUTTING GUIDE	1

REPLACEMENT PARTS SUITABLE FOR:

PSB 31®

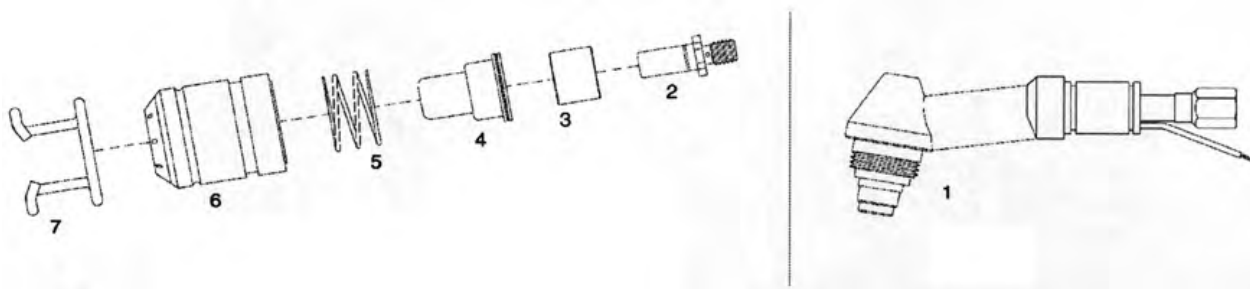


ITEM	CATALOG NUMBER	DESCRIPTION	STD. QTY
N/S	CS742.0046	TORCH COMPLETE WITH 4 m CABLE (1/4" CONNECTION)	1
N/S	CS742.0087	TORCH COMPLETE WITH 6 m CABLE (1/4" CONNECTION)	1
N/S	CS742.0047	TORCH HF S COMPLETE WITH 4 m CABLE (1/4" CONNECTION)	1
N/S	CS742.0088	TORCH HF S COMPLETE WITH 6 m CABLE (1/4" CONNECTION)	1
1	CS442P010100TB	70° TORCH BODY WITH SAFETY	1
N/S	CS742.0044	HANDGRIP COMPLETE WITH MICROSWITCH	1
2	CS742.0054	70° TORCH HEAD	1
3	CS742.0016	ELECTRODE 15.5 mm	10
	CS742.0017	ELECTRODE 16 mm	10
	CS742.0018	ELECTRODE 16.5 mm	10
4	CS744.0024	SPRING	10
5	CS742.0038	INSULATING SLEEVE-HF VERSION	5
	CS742.0025	SPRING SLEEVE	5
6	CS742.0011	TIP 1.0	10
	CS742.0026	TIP 1.2	10
7	CS742.0004	AIR DIFFUSOR INSULATOR	2
N/S	CS442P010101TB	AIR DIFFUSOR INSULATOR WITH SAFETY	2
8	CS742.0089	SPACER SPRING	10
N/S	CS07774	AIR AND POWER CABLE 4 m (1/4" CONNECTION)	4
N/S	CS07776	AIR AND POWER CABLE 6 m (1/4" CONNECTION)	4
N/S	CS51855	CIRCLE CUTTING ATTACHMENT	4
N/S	CS51811	CUTTING GUIDE	4

REPLACEMENT PARTS SUITABLE FOR:

BINZEL®

PSB 31KK®



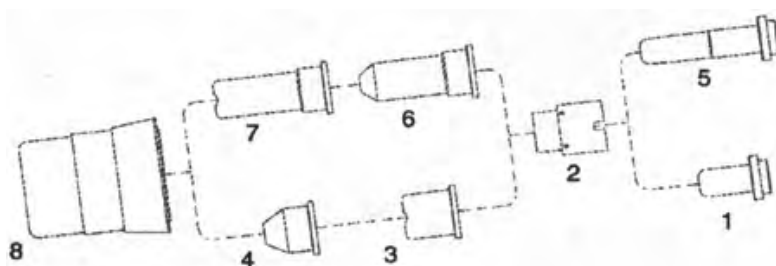
ITEM	CATALOG NUMBER	DESCRIPTION	STD. QTY
N/S	CS744.0114	TORCH COMPLETE WITH 4 m CABLE (3/8" CONNECTION)	1
N/S	CS744.0115	TORCH COMPLETE WITH 6 m CABLE (3/8" CONNECTION)	1
1	CS744.0098	70° TORCH HEAD	1
N/S	CS744.0044	HANDGRIP COMPLETE WITH MICROSWITCH	1
2	CS744.0014	ELECTRODE 14.5 mm	10
	CS744.0013	ELECTRODE 15 mm	10
	CS744.0012	ELECTRODE 15.5 mm	10
3	CS744.0024	SPRING	5
4	CS744.0076	INSULATING SLEEVE-HF VERSION	10
	CS744.0023	SPRING SLEEVE	10
5	CS744.0010	TIP 1.0	10
	CS744.0061	TIP 1.2	2
6	CS744.0011	AIR DIFFUSOR INSULATOR	10
N/S	CS07784	AIR AND POWER CABLE 4 m (3/8" CONNECTION)	1
N/S	CS07786	AIR AND POWER CABLE 6 m (3/8" CONNECTION)	1
N/S	CS51854	CIRCLE CUTTING ATTACHMENT	1
N/S	CS51810	CUTTING GUIDE	1

REPLACEMENT PARTS SUITABLE FOR:

CEBORA®

P 30®

art. 920, art. 925, art. 936

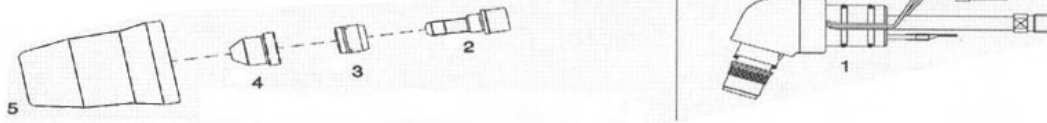


ITEM	CATALOG NUMBER	DESCRIPTION	STD. QTY
1	CS1520	ELECTRODE	10
2	CS1510	SWIRL RING	5
3	CS1304	TIP (CASTEL)	10
4	CS1305	TIP (PIPE)	10
5	CS1519	EXTENDED ELECTRODE	10
6	CS1306	EXTENDED TIP (PIPE)	10
7	CS1370	EXTENDED TIP (CASTEL)	10
8	CS5.710.120	RETAINING CAP	2

REPLACEMENT PARTS SUITABLE FOR:

CEBORA®

CP-40®

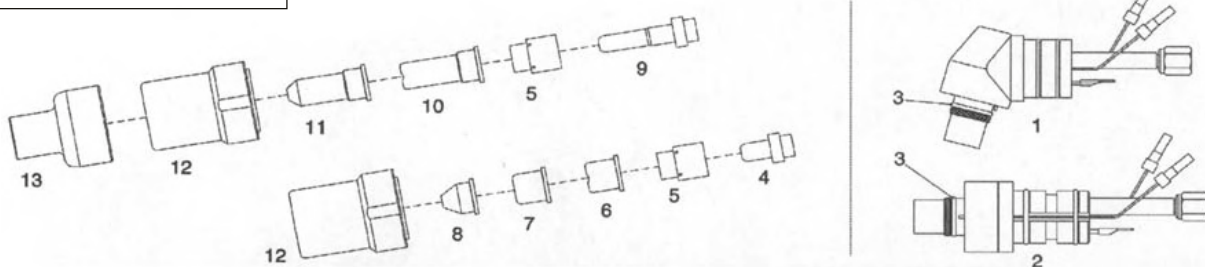


ITEM	CATALOG NUMBER	DESCRIPTION	STD. QTY
1	CS1319	HAND TORCHE HEAD	1
2	CS1516	ELECTRODE-HF	10
3	CS1507	SWIRL RING	5
4	CS1290	TIP Ø 0.7	10
5	CS1906	NOZZLE RETAINING CAP	2

REPLACEMENT PARTS SUITABLE FOR:

P 50®

P35HF art. 896, P50 art. 937



ITEM	CATALOG NUMBER	DESCRIPTION	STD. QTY
N/S	CS1526	HAND TORCH COMPLETE WITH 6 m CABLE (1/8" CONNECTION)	1
N/S	CS1574	HAND TORCH COMPLETE WITH 6 m CABLE (CENTRAL CONNECTOR)	1
N/S	CS03150/C	HAND TORCH COMPLETE WITH 12 m CABLE (1/8" CONNECTION)	1
N/S	CS03151/C	HAND TORCH COMPLETE WITH 12 m CABLE (CENTRAL CONNECTOR)	1
N/S	CS03400	MACHINE TORCH COMPLETE WITH 6 m CABLE (1/8" CONNECTION)	1
N/S	CS03401	MACHINE TORCH COMPLETE WITH 6 m CABLE (CENTRAL CONNECTOR)	1
N/S	CS03500	MACHINE TORCH COMPLETE WITH 12 m CABLE (1/8" CONNECTION)	1
N/S	CS03501	MACHINE TORCH COMPLETE WITH 12 m CABLE (CENTRAL CONNECTOR)	1
1	CS1352	70° TORCH HEAD	1
N/S	CS1556	HANDGRIP WITH MICROSWITCH	1
2	CS03300	180° TORCH HEAD	1
N/S	CS3055623	MACHINE HANDLE	1
3	CS026016	O-RING	20
4	CS1521	ELECTRODE	10
5	CS020101	SWIRL RING	5
6	CS020115	TIP (CASTLE) 1.0	10
	CS1396	TIP LONG LIFE 1.0	10
	CS51100/S	TIP LONG LIFE 1.1	10
7	CS51099	TIP (MACH.) 1.0	10
8	CS020131	TIP (PIPE) 1.0	10
9	CS1518	EXTENDED ELECTRODE	10
10	CS020466	EXTENDED TIP (CASTLE) 1.0	10
	CS1395	EXTENDED TIP LONG LIFE 1.0	10
	CS51102/S	EXTENDED TIP LONG LIFE 1.1	10
11	CS1306	EXTENDED TIP (PIPE) 1.0	10
12	CS5.710.121	RETAINING CAP	2
13	CS51965	SHIELD CAP (HAND)	2
N/S	CS1344	AIR AND POWER CABLE 6 m 1/8"-HAND TORCH	1
N/S	CS03250	AIR AND POWER CABLE 12 m 1/8"-HAND TORCH	1
N/S	CS03320	AIR AND POWER CABLE 6 m 1/8"-MACHINE TORCH	1
N/S	CS03330	AIR AND POWER CABLE 12 m 1/8"-MACHINE TORCH	1
N/S	CS51849	CIRCLE CUTTING ATTACHMENT	1
N/S	CS51801	CUTTING GUIDE	1

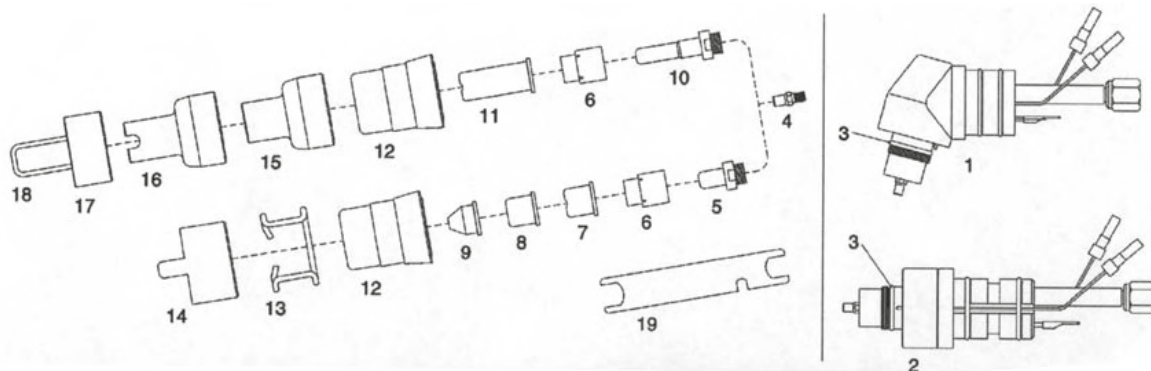
Ergodani is in no way affiliated with CEBORA®. The parts advertised for sale are not genuine CEBORA® parts, but are parts made for and by Ergodani. Reference to CEBORA® machine, torches and numbers are for your convenience only. We reserve the right to substitute genuine CEBORA® parts in place of Ergodani parts.

REPLACEMENT PARTS SUITABLE FOR:

CEBORA®

P 70®

35 PC/HF art. 292, P36 art. 938, P52 art. 940, P70 art. 941



ITEM	CATALOG NUMBER	DESCRIPTION	STD. QTY
N/S	CS1564	HAND TORCH COMPLETE WITH 6 m CABLE (1/8" CONNECTION)	1
N/S	CS1573	HAND TORCH COMPLETE WITH 6 m CABLE (CENTRAL CONNECTOR)	1
N/S	CS1573.20	HAND TORCH COMPLETE WITH 12 m CABLE (CENTRAL CONNECTOR)	1
N/S	CS1563	MACHINE TORCH COMPLETE WITH 6 m CABLE (1/8" CONNECTION)	1
N/S	CS1566	MACHINE TORCH COMPLETE WITH 6 m CABLE (CENTRAL CONNECTOR)	1
N/S	CS1566.20	MACHINE TORCH COMPLETE WITH 12 m CABLE (CENTRAL CONNECTOR)	1
1	CS1551	70° TORCH HEAD	1
N/S	CS1556	HANDGRIP WITH MICROSWITCH	1
2	CS1349	180° TORCH HEAD	1
N/S	CS3.055.623	MACHINE HANDLE	1
3	CS3.160.067	O-RING	20
4	CS3.065204	AIR DIFFUSOR	10
5	CS1402	ELECTRODE	10
6	CS020101	SWIRL RING	5
7	CS020115	TIP (CASTLE) 35A 0.9	10
	CS1396	TIP LONG LIFE 50A 1.0	10
	CS51100/S	TIP LONG LIFE 60A 1.1	10
	CS51096	TIP LONG LIFE 70A 1.2	10
	CS1308	TIP (CASTLE) 70A 1.2	10
8	CS51099	TIP (MACH) 1.0	10
	CS51099.12	TIP (MACH) 1.2	10
9	CS1305	TIP (PIPE) 1.0	10
	CS51098.12	TIP (PIPE) 1.2	10
10	CS1368	EXTENDED ELECTRODE	10
11	CS1366	EXTENDED TIP (CASTLE) 35A 0.9	10
	CS1395	EXTENDED TIP LONG LIFE 50A 1.0	10
	CS51102/S	EXTENDED TIP LONG LIFE 60A 1.1	10
	CS51096/L	EXTENDED TIP LONG LIFE 70A 1.2	10
12	CS5.710.171	RETAINING CAP	2
13	CS1394	SPACER SPRING	10
14	CS1405	DOULE POINTED SPACER	2
15	CS51970	SHILED CAP (HAND) (FOR USE W/CS366 & CS1395)	2
16	CS51971	SPACER FOR CONTACT CUTTING (HAND) (FOR USE W/CS51102/S & CS51096/L)	2
17	CS60382	SPACER W/EXTENDED SPRING	2
18	CS60383	EXTENDED SPRING (FIT OVER CS60382)	20
19	CS3.045.012	WRENCH FOR ELECTRODE	5
N/S	CS1344	AIR AND POWER CABLE 6 m 1/8" - HAND TORCH	1
N/S	CS03250	AIR AND POWER CABLE 12 m 1/8" - HAND TORCH	1
N/S	CS03320	AIR AND POWER CABLE 6 m 1/8" - MACHINE TORCH	1
N/S	CS0330	AIR AND POWER CABLE 12 m 1/8" - MACHINE TORCH	1
N/S	CS51849	CIRCLE CUTTING ATTACHMENT	1
N/S	CS51801	CUTTING GUIDE	1

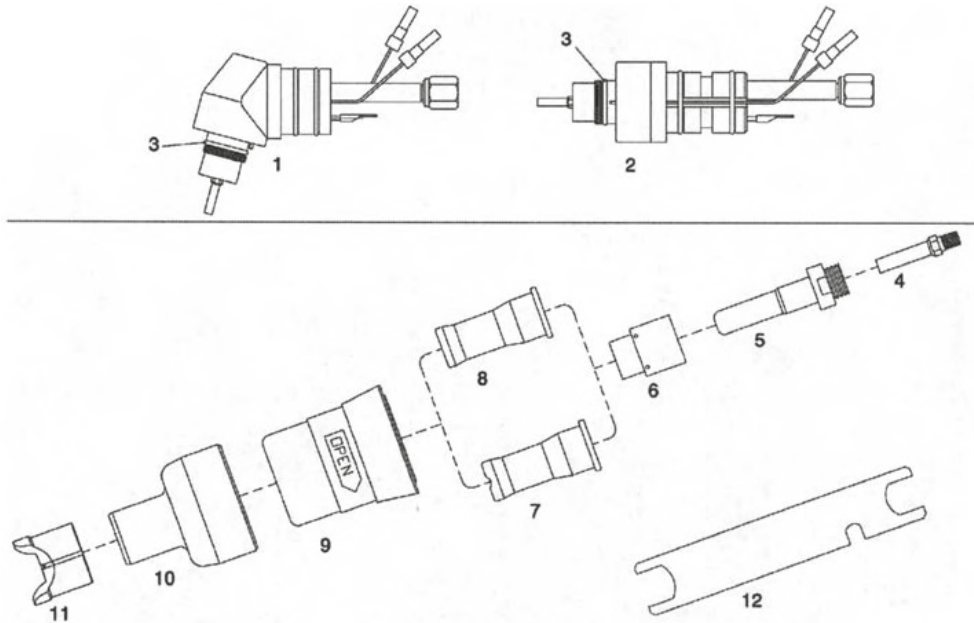
Ergodani is in no way affiliated with CEBORA®. The parts advertised for sale are not genuine CEBORA® parts, but are parts made for and by Ergodani. Reference to CEBORA® machine, torches and numbers are for your convenience only. We reserve the right to substitute genuine CEBORA® parts in place of Ergodani parts.

REPLACEMENT PARTS SUITABLE FOR:

CEBORA®

CP 90®

PC 5060/T art. 354, PC 9060/T art. 356



ITEM	CATALOG NUMBER	DESCRIPTION	STD. QTY
N/S	CS1214	HAND TORCH COMPLETE WITH 6 m CABLE CENTRAL CONN. (REPLACES CS1216)	1
N/S	CS1214.20	HAND TORCH COMPLETE WITH 12 m CABLE CENTRAL CONN. (REPLACES CS1216.20)	1
N/S	CS1218	MACHINE TORCH COMPLETE WITH 6 m CABLE CENTRAL CONNECTOR	1
N/S	CS1218.20	MACHINE TORCH COMPLETE WITH 12 m CABLE CENTRAL CONNECTOR	1
N/S	CS1215	HAND TORCH COMPLETE WITH 6 m CABLE 1/8" CONNECTION	1
1	CS1358	70° TORCH HEAD	1
N/S	CS04280/C	HANDGRIP WITH MICROSWITCH	1
2	CS1348	180° TORCH HEAD	1
N/S	CS3.055.623	MACHINE HANDLE	1
3	CS13.160.067	O-RING	20
4	CS01090.42	AIR DIFFUSOR	5
5	CS1368	EXTENDED ELECTRODE	10
6	CS020101	SWIRL RING	5
7	CS51090	EXTENDED TIP LONG LIFE 20-50A 1.0 (FOR USE W/CS60322 ONLY)	10
8	CS51092	EXTENDED TIP LONG LIFE 50-60A 1.1 (FOR USE W/CS60322 ONLY)	10
	CS51093	EXTENDED TIP LONG LIFE 70-90A 1.2 (FOR USE W/CS60322 ONLY)	10
9	CS60322	RETAINING CAP (FOR USE W/CS51090, CS51093 ONLY)	2
10	CS51972	SHIELD CUP (HAND)	2
11	CS51973	SPACER FOR CONTAC CUTTING (HAND)	2
12	CS3.045.012	WRENCH FOR ELECTRODE	5
N/S	CS03093/S	AIR AND POWER CABLE 6 m 1/8" - HAND TORCH CENTRAL CONNECTOR	1
N/S	CS03193/S	AIR AND POWER CABLE 12 m 1/8" - HAND TORCH CENTRAL CONNECTOR	1
N/S	CS03493/S	AIR AND POWER CABLE 6 m 1/8" - MACHINE TORCH CENTRAL CONNECTOR	1
N/S	CS03593/S	AIR AND POWER CABLE 12 m 1/8" - MACHINE TORCH CENTRAL CONNECTOR	1
N/S	CS03240/S	AIR AND POWER CABLE 6 m 1/8" - MACHINE TORCH 1/8" CONNECTION	1
N/S	CS163	CIRCLE CUTTING ATTACHMENT	1
N/S	CS153	CUTTING GUIDE	1

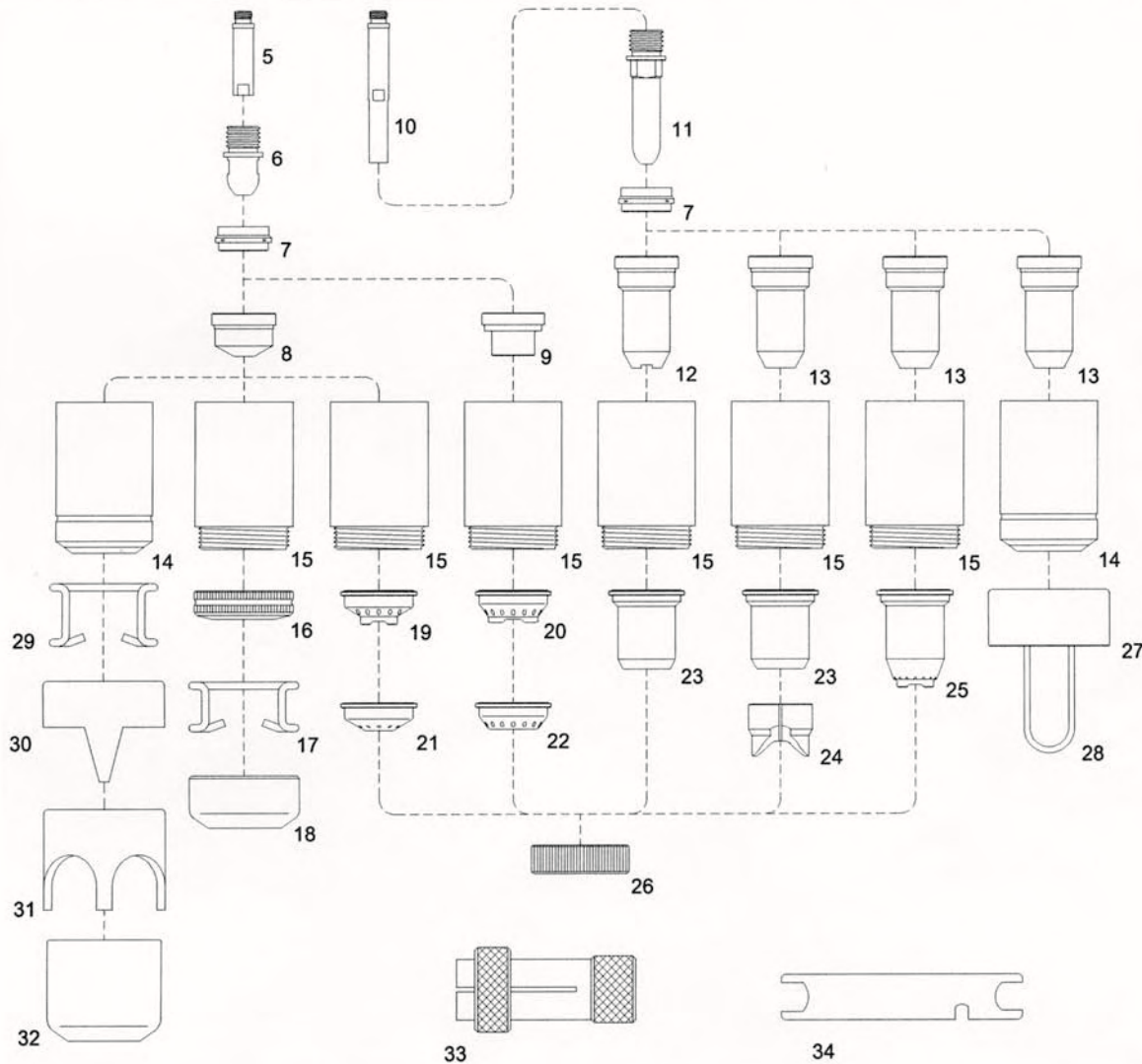
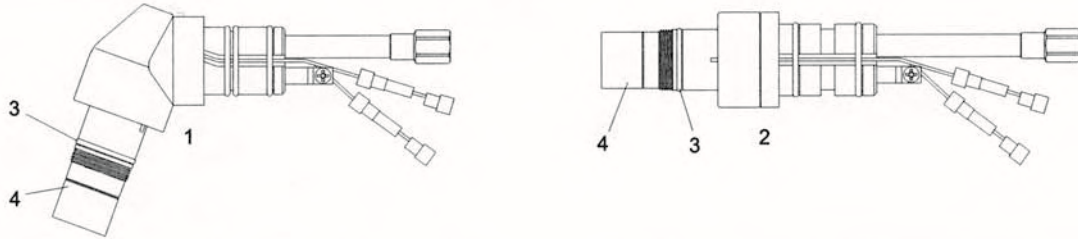
Ergodani is in no way affiliated with CEBORA®. The parts advertised for sale are not genuine CEBORA® parts, but are parts made for and by Ergodani. Reference to CEBORA® machine, torches and numbers are for your convenience only. We reserve the right to substitute genuine CEBORA® parts in place of Ergodani parts.

REPLACEMENT PARTS SUITABLE FOR:

CEBORA®

P 150® CP 160®

P90 art. 942, P92 art. 943, P120 art. 945, P122 art. 946,
P150 art. 950, P152 art. 951, P162 art. 952



CP 160®

Complete Torches

ITEM	CATALOG NUMBER	DESCRIPTION	STD. QTY
N/S	CS1226	HAND TORCH COMPLETE WITH 6 m CABLE (CENTRAL CONNECTOR)	1
N/S	CS1226.20	HAND TORCH COMPLETE WITH 12 m CABLE (CENTRAL CONNECTOR)	1
N/S	CS1228	MACHINE TORCH COMPLETE WITH 6 m SHIELDED CABLE (CENTRAL CONNECTOR)	1
N/S	CS1228.20	MACHINE TORCH COMPLETE WITH 12 m SHIELDED CABLE (CENTRAL CONNECTOR)	1

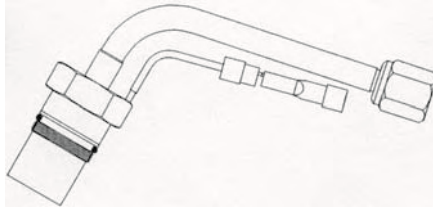
P 150® CP 160®
**P90 art. 942, P92 art. 943, P120 art. 945, P122 art. 946, CEBORA®
P150 art. 950, P152 art. 951, P162 art. 952**

ITEM	CATALOG NUMBER	DESCRIPTION	STD. QTY
N/S	CS1571	HAND TORCH COMPLETE WITH 6 m CABLE (1/8" CONNECTION)	1
N/S	CS1576	HAND TORCH COMPLETE WITH 6 m CABLE (CENTRAL CONNECTOR)	1
N/S	CS1578	HAND TORCH COMPLETE WITH 12 m CABLE (CENTRAL CONNECTOR)	1
N/S	CS1529	MACHINE TORCH COMPLETE WITH 6 m CABLE (1/8" CONNECTION)	1
N/S	CS1577	MACHINE TORCH COMPLETE WITH 6 m CABLE (CENTRAL CONNECTOR)	1
N/S	CS1579	MACHINE TORCH COMPLETE WITH 12 m CABLE (CENTRAL CONNECTOR)	1
1	CS1353	70° TORCH HEAD	1
N/S	CS0428/C	HANDGRIP WITH MICROSWITCH	1
2	CS1354	180° TORCH HEAD	1
N/S	CS3.055.623	MACHINE HANDLE	1
3	CS1398	O-RING	20
4	CS60080	FRONT INSULATOR	2
5	CS1378	AIR DIFFUSOR	5
6	CS1376	ELECTRODE	10
7	CS1377	SWIRL RING	5
8	CS1371	TIP 1.0	10
	CS1372	TIP 1.35	10
	CS1373	TIP 1.6	10
	CS1374	TIP 1.8	10
	CS1375	TIP GOUGING 3.0	10
	CS51141/S	TIP LONG LIFE 1.35	10
	CS51142/S	TIP LONG LIFE 1.6	10
	CS51143/S	TIP LONG LIFE 1.8	10
9	CS51410	CONTACT TIP 1.35	10
	CS51411	CONTACT TIP 1.6	10
	CS51412	CONTACT TIP 1.8	10
10	CS05005	EXTENDED DIFFUSOR	5
11	CS1517	EXTENDED ELECTRODE	10
12	CS1369	EXTENDED TIP (MAX 50A)	10
13	CS51148.13	EXTENDED TIP 90A 1.35	10
	CS51148.16	EXTENDED TIP 120A 1.6	10
	CS51148.18	EXTENDED TIP 150A 1.8	10
14	CS1389	RETAINING CAP	1
15	CS60250	CONTACT RETAINING CAP-FIBER GLASS	1
	CS60350/V	CONTACT RETAINING CAP-MAX. LIFE	1
16	CS51952	SPRING HOLDER PROTECTION NUT	5
17	CS51911	SPACER SPRING (FITS OVER CS51952)	10
18	CS51953	SPACER GOUGING	5
19	CS51950	SPACER FOR CONTAC CUTTING (HAND)	5
20	CS51930	SPACER FOR CONTAC CUTTING (HAND)	5
21	CS51951	SHIELD (MACH.)	5
22	CS51935	SHIELD (MACH.)	5
23	CS51957	EXTENDED SHIELD (HAND) (MAX 50A)	5
24	CS51974	SPACER FOR EXTENDED TIPS HIGH AMP.	5
25	CS51958	STENDED SPACER (HAND)	5
26	CS51959	LOCKING NUT	5
27	CS60380	SPACER W/EXTENDED SPRINGS	2
28	CS60381	EXTENDED SPRINGS (FIT OVER CS60380)	20
29	CS1386	SPACER SPRING	10
30	CS1408	DOUBLE POINTED SPACER	2
31	CS60371	SPACER CROWN	2
32	CS1406	SPACER GOUGING	2
33	CS1509	EXTRACTOR FOR SWIRL RING	1
34	CS3.045.010	WRENCH FOR ELECTRODE	5
N/S	CS04240	AIR AND POWER CABLE 6 m 1/8" - HAND TORCH	1
N/S	CS04250	AIR AND POWER CABLE 12 m 1/8" - HAND TORCH	1
N/S	CS04320	AIR AND POWER CABLE 6 m 1/8" - MACHINE TORCH	1
N/S	CS04330	AIR AND POWER CABLE 12 m 1/8" - MACHINE TORCH	1
N/S	CS169	CIRCLE CUTTING ATTACHMENT	1
N/S	CS155	CUTTING GUIDE	1

REPLACEMENT PARTS SUITABLE FOR:

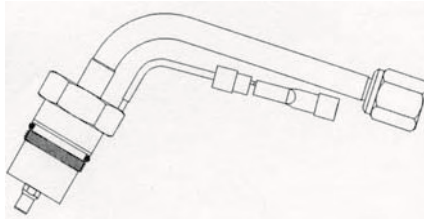
CEBORA®

P 50®



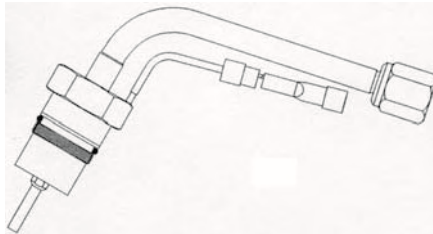
ITEM	CATALOG NUMBER	DESCRIPTION	STD. QTY
	01001/KIT	TORCH HEAD COMPLETE WITH HANDLE	
	03050LT	HAND TORCH, 6 m (20 FT) LEADS - 1/8 G	
	03150LT	HAND TORCH, 12 m (40 FT) LEADS - 1/8 G	
	03051LT	HAND TORCH, 6 m (20 FT) LEADS - EURO CONNECTOR	
	03151LT	HAND TORCH, 12 m (40 FT) LEADS - EURO CONNECTOR	

P 70®



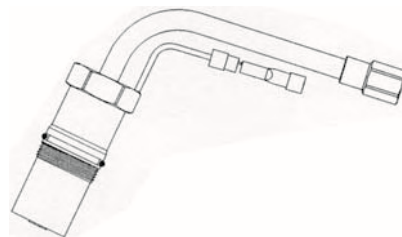
ITEM	CATALOG NUMBER	DESCRIPTION	STD. QTY
	01071/KIT	TORCH HEAD COMPLETE WITH HANDLE	
	03070LT	HAND TORCH, 6 m (20 FT) LEADS - 1/8 G	
	03170LT	HAND TORCH, 12 m (40 FT) LEADS - 1/8 G	
	03071LT	HAND TORCH, 6 m (20 FT) LEADS - EURO CONNECTOR	
	03171LT	HAND TORCH, 12 m (40 FT) LEADS - EURO CONNECTOR	

P 90®



ITEM	CATALOG NUMBER	DESCRIPTION	STD. QTY
	01091/KIT	TORCH HEAD COMPLETE WITH HANDLE	
	03090LT	HAND TORCH, 6 m (20 FT) LEADS - 1/8 G	
	03190LT	HAND TORCH, 12 m (40 FT) LEADS - 1/8 G	
	03091LT	HAND TORCH, 6 m (20 FT) LEADS - EURO CONNECTOR	
	03191LT	HAND TORCH, 12 m (40 FT) LEADS - EURO CONNECTOR	

P 150®



ITEM	CATALOG NUMBER	DESCRIPTION	STD. QTY
	02001/KIT	TORCH HEAD COMPLETE WITH HANDLE	
	04050LT	HAND TORCH, 6 m (20 FT) LEADS - 1/8 G	
	04150LT	HAND TORCH, 12 m (40 FT) LEADS - 1/8 G	
	04051LT	HAND TORCH, 6 m (20 FT) LEADS - EURO CONNECTOR	
	04151LT	HAND TORCH, 12 m (40 FT) LEADS - EURO CONNECTOR	

REPLACEMENT PARTS SUITABLE FOR:

DINSE®

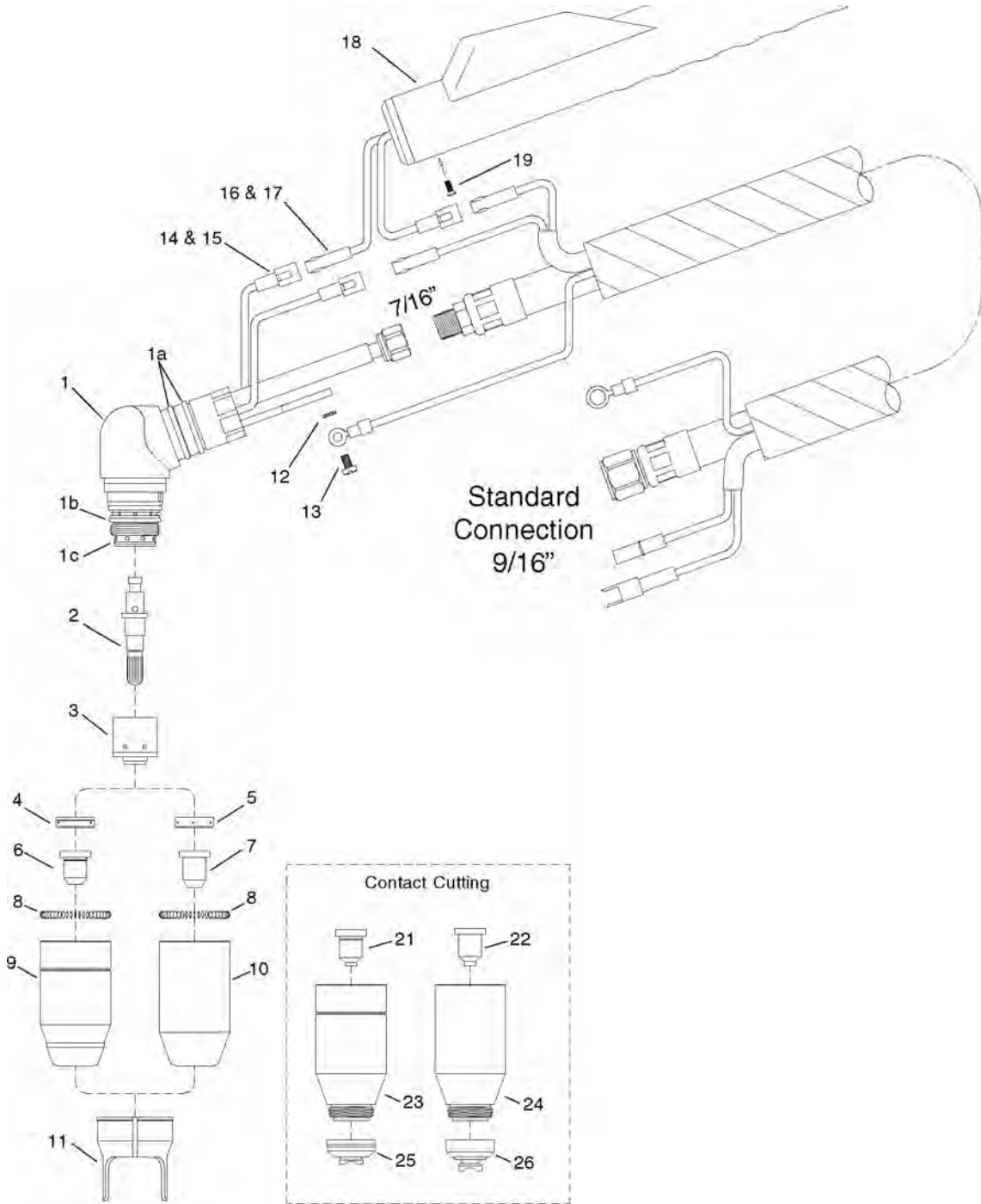
PX 101®



ITEM	CATALOG NUMBER	DESCRIPTION	STD. QTY
1	CSDIX3-6-101	ELECTRODE	10
2	CSDIX2-6-112	TIP 1.2	10
	CSDIX3-6-114	TIP 1.4	10
	CSDIX3-6-116	TIP 1.6	10

REPLACEMENT HAND TORCH PARTS SUITABLE FOR:

EL-60®



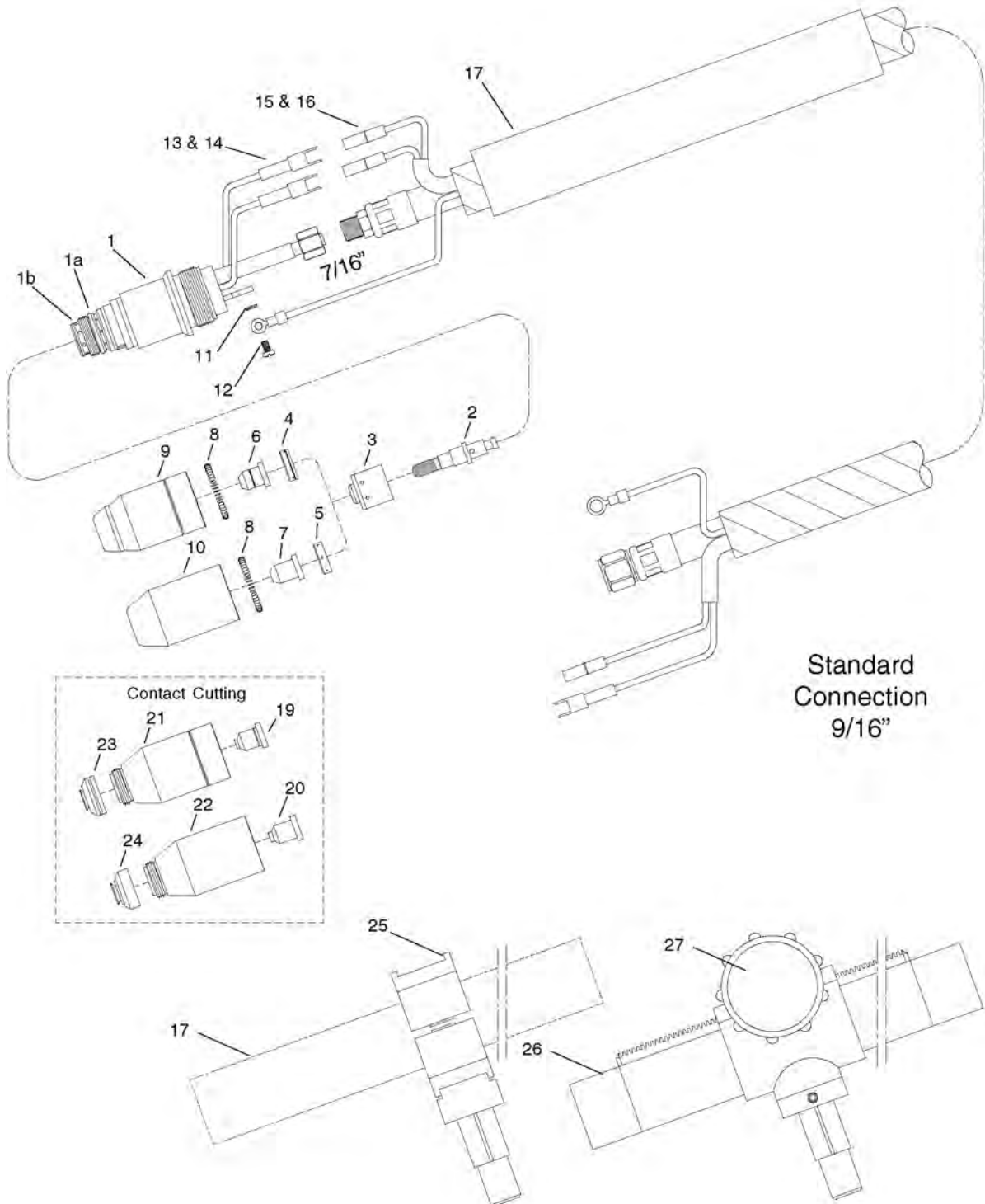
REPLACEMENT HAND TORCH PARTS SUITABLE FOR:

EL-60®

ITEM	CATALOG NUMBER	DESCRIPTION	STD. QTY
		EL-60 70° HAND TORCH 6 m (20 ft) LEADS	1
		EL-60 70° HAND TORCH 12 m (40 ft) LEADS	1
		EL-60 70° LEAD ASSEMBLY 6 m (20 ft) LENGHT	1
		EL-60 70° LEAD ASSEMBLY 12 m (40 ft) LENGHT	1
1	CS07500	EL-60 70° TORCH HEAD	1
1A	CS80533	O-RING	10
1B	CS80522	O-RING	10
1C	CS07144	O-RING	10
2	CS07025	ELECTRODE AIR/N ₂	10
3	CS07501	START CARTRIDGE 30/120A	1
4	CS60060	GAS DISTRIBUTOR 30/60A	5
5	CS60061	GAS DISTRIBUTOR 60/120A	5
6	CS51470	TIP CUTTING AIR/N ₂ 30A	10
	CS51471	TIP CUTTING AIR/N ₂ 40A	10
	CS51472	TIP CUTTING AIR/N ₂ 50/60A	10
7	CS51474	TIP CUTTING AIR/N ₂ 60A	10
	CS51475	TIP CUTTING AIR/N ₂ 70A	10
	CS51476	TIP CUTTING AIR/N ₂ 80A	10
	CS51477	TIP CUTTING AIR/N ₂ 90/100A	10
	CS51478	TIP CUTTING AIR/N ₂ 120A	10
8	CS60442	COIL SPRING	10
9	CS60480	SHIELD CUP STANDARD 30/60A (INCLUDING ITEM # 8)	1
10	CS60481	SHIELD CUP STANDARD 60/120A (INCLUDING ITEM # 8)	1
11	CS60444	DOUBLE POINTED SPACER	2
12	SEE NOTE	PANHEAD SCREW M3 x 6 mm UNI7687	10
13	SEE NOTE	INTERNAL STAR WASER A3 UNI8842	10
14	CS98111	PIN HOUSING	10
15	CS98101	PIN	10
16	CS98112	SOCKET HOUSING	10
17	CS98102	SOCKET	10
18	CS07106E	HANDLE WITH MICROSWITCH	1
19	SEE NOTE	PANHEAD SCREW M3 x 8 mm UNI7689	10
21	CS51480	CONTACT TIP AIR/N ₂ 30A	10
	CS51481	CONTACT TIP AIR/N ₂ 40A	10
	CS51482	CONTACT TIP AIR/N ₂ 50/60A	10
22	CS51484	CONTACT TIP AIR/N ₂ 60A	10
	CS51485	CONTACT TIP AIR/N ₂ 70A	10
	CS51486	CONTACT TIP AIR/N ₂ 80A	10
	CS51487	CONTACT TIP AIR/N ₂ 90/100A	10
	CS51488	CONTACT TIP AIR/N ₂ 120A	10
23	CS60482	SHIELD CUP BODY 30/60A (INCLUDING ITEM # 8)	2
24	CS60483	SHIELD CUP BODY 60/120A (INCLUDING ITEM # 8)	2
25	CS60485	SHIELD CUP HAND 30/60A	2
26	CS60486	SHIELD CUP HAND 60/120A	2
27	CS07504	EXTENDED ELECTRODE AIR/N ₂	10
28	CS51490	EXTENDED CONTACT TIP AIR/N ₂ 30A	10
	CS51491	EXTENDED CONTACT TIP AIR/N ₂ 40A	10
	CS51492	EXTENDED CONTACT TIP AIR/N ₂ 50/60A	10
29	CS51493	EXTENDED CONTACT TIP AIR/N ₂ 60A	10
	CS51494	EXTENDED CONTACT TIP AIR/N ₂ 70A	10
	CS51495	EXTENDED CONTACT TIP AIR/N ₂ 80A	10
	CS51496	EXTENDED CONTACT TIP AIR/N ₂ 90/100A	10
	CS51497	EXTENDED CONTACT TIP AIR/N ₂ 120A	10
30	CS60490	EXTENDED SHIELD CAP HAND 30/60A	2
31	CS60491	EXTENDED SHIELD CAP HAND 60/120A	2
N/S	CS51864	CIRCLE CUTTING ATTACHMENT	1

REPLACEMENT MACHINE TORCH PARTS SUITABLE FOR:

EL-60®



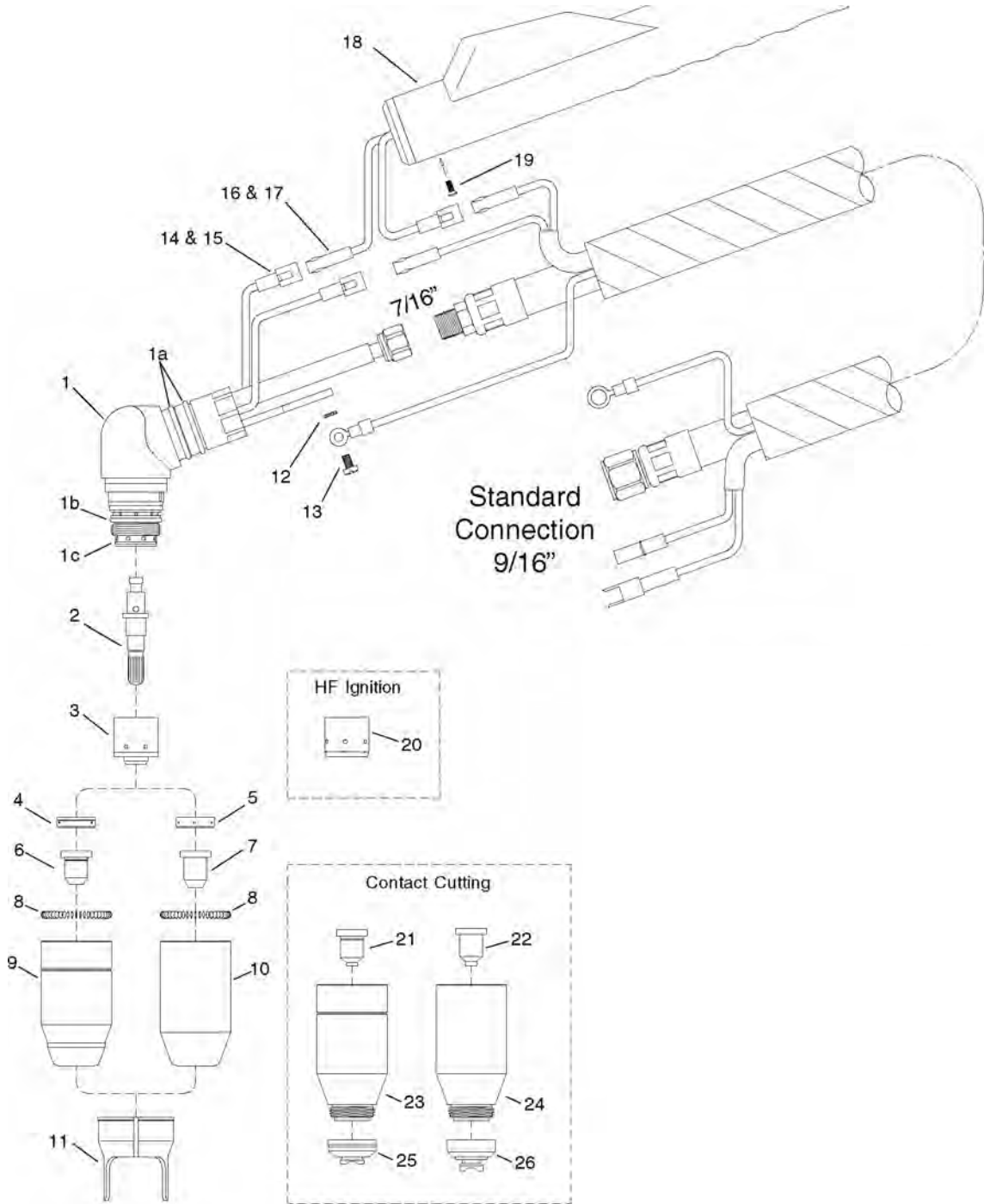
REPLACEMENT MACHINE TORCH PARTS SUITABLE FOR:

EL-60®

ITEM	CATALOG NUMBER	DESCRIPTION	STD. QTY
		EL-60 180° MACHINE TORCH 6 m (20 ft) LEADS	1
		EL-60 180° MACHINE TORCH 12 m (40 ft) LEADS	1
		EL-60 180° LEAD ASSEMBLY 6 m (20 ft) LENGHT	1
		EL-60 180° LEAD ASSEMBLY 12 m (40 ft) LENGHT	1
1	CS07503	EL-60 180° TORCH HEAD	1
1A	CS80533	O-RING	10
1B	CS80522	O-RING	10
2	CS07025	ELECTRODE AIR/N ₂	10
3	CS07501	START CARTRIDGE 30/120A	1
4	CS60060	GAS DISTRIBUTOR 30/60A	5
5	CS60061	GAS DISTRIBUTOR 60/120A	5
6	CS51470	TIP CUTTING AIR/N ₂ 30A	10
	CS51471	TIP CUTTING AIR/N ₂ 40A	10
	CS51472	TIP CUTTING AIR/N ₂ 50/60A	10
7	CS51474	TIP CUTTING AIR/N ₂ 60A	10
	CS51475	TIP CUTTING AIR/N ₂ 70A	10
	CS51476	TIP CUTTING AIR/N ₂ 80A	10
	CS51477	TIP CUTTING AIR/N ₂ 90/100A	10
	CS51478	TIP CUTTING AIR/N ₂ 120A	10
8	CS60442	COIL SPRING	10
9	CS60480	SHIELD CUP STANDARD 30/60A (INCLUDING ITEM # 8)	2
10	CS60481	SHIELD CUP STANDARD 60/120A (INCLUDING ITEM # 8)	2
11	SEE NOTE	PANHEAD SCREW M3 x 6 mm UNI7687	10
12	SEE NOTE	INTERNAL STAR WASER A3 UNI8842	10
13	CS95577	PIN HOUSING	10
14	CS94651	PIN	10
15	CS95578	SOCKET HOUSING	10
16	CS95764	SOCKET	10
17	CS07215	FIBERGLASS POSITIONING TUBE	1
19	CS51480	CONTACT TIP AIR/N ₂ 30A	10
	CS51481	CONTACT TIP AIR/N ₂ 40A	10
	CS51482	CONTACT TIP AIR/N ₂ 50/60A	10
20	CS51484	CONTACT TIP AIR/N ₂ 60A	10
	CS51485	CONTACT TIP AIR/N ₂ 70A	10
	CS51486	CONTACT TIP AIR/N ₂ 80A	10
	CS51487	CONTACT TIP AIR/N ₂ 90/100A	10
	CS51488	CONTACT TIP AIR/N ₂ 120A	10
21	CS60482	SHIELD CUP BODY 30/60A (INCLUDING ITEM # 8)	2
22	CS60483	SHIELD CUP BODY 60/120A (INCLUDING ITEM # 8)	2
23	CS60487	SHIELD CAP MACHINE 30/60A	2
24	CS60488	SHIELD CAP MACHINE 60/120A	2
25	CS07217	MOUNTING BLOCK	1
26	CS07216	FIBERGLASS POSITIONING TUBE WITH RACK	1
27	CS72827	PINION ASSEMBLY	1

REPLACEMENT HAND TORCH PARTS SUITABLE FOR:

EL-120®



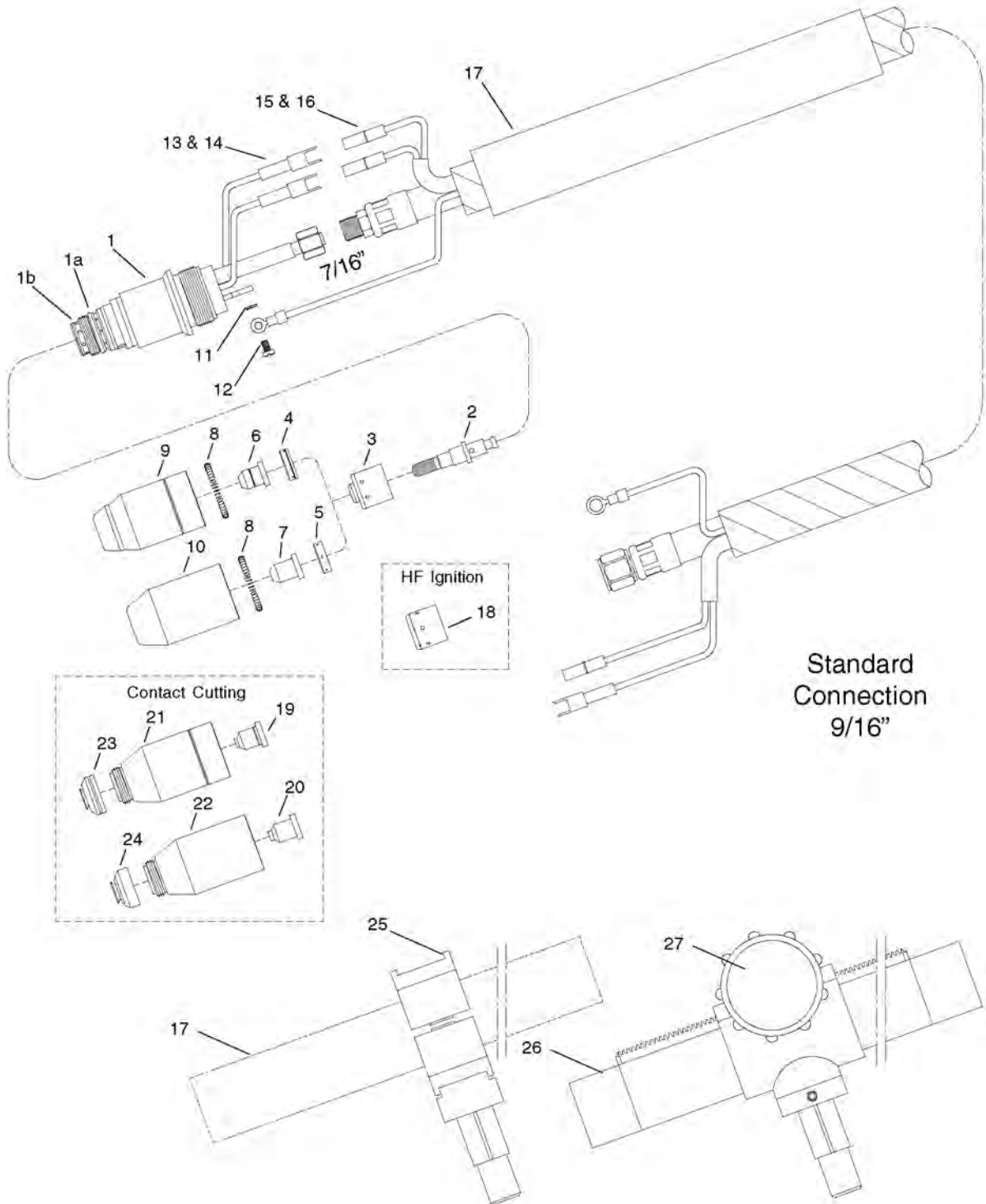
REPLACEMENT HAND TORCH PARTS SUITABLE FOR:

EL-120®

ITEM	CATALOG NUMBER	DESCRIPTION	STD. QTY
		EL-120 70° HAND TORCH 6 m (20 ft) LEADS	
		EL-120 70° HAND TORCH 12 m (40 ft) LEADS	
		EL-120 70° LEAD ASSEMBLY 6 m (20 ft) LENGHT	
		EL-120 70° LEAD ASSEMBLY 12 m (40 ft) LENGHT	
1	CS07920	EL-120 70° TORCH HEAD	1
1/a	CS07100.53	O-RING	2
1/b	CS07300.60	O-RING	1
1/c	CS07920.60	O-RING	1
2	CS52600	ELECTRODE AIR/N ₂	1
3	CS07923	START CARTRIDGE 30/120A	1
4	CS60060	GAS DISTRIBUTOR 30/60A	1
5	CS60061	GAS DISTRIBUTOR 60/120A	1
6	CS51470	TIP CUTTING AIR/N ₂ 30A	1
	CS51471	TIP CUTTING AIR/N ₂ 40A	1
	CS51472	TIP CUTTING AIR/N ₂ 50/60A	1
7	CS51474	TIP CUTTING AIR/N ₂ 60A	1
	CS51475	TIP CUTTING AIR/N ₂ 70A	1
	CS51476	TIP CUTTING AIR/N ₂ 80A	1
	CS51477	TIP CUTTING AIR/N ₂ 90/100A	1
	CS51478	TIP CUTTING AIR/N ₂ 120A	1
8	CS60442	COIL SPRING	1
9	CS60480	SHIELD CUP STANDARD 30/60A (INCLUDING ITEM # 8)	1
10	CS60481	SHIELD CUP STANDARD 60/120A (INCLUDING ITEM # 8)	1
11	CS60444	DOUBLE POINTED SPACER	1
12	SEE NOTE	PANHEAD SCREW M3 x 6 mm UNI7687	1
13	SE NOTE	INTERNAL STAR WASER A3 UNI8842	1
14	CS9-8111	PIN HOUSING	3
15	CS9-8101	PIN	3
16	CS9-8112	SOCKET HOUSING	3
17	CS9-8102	SOCKET	3
18	CS07106E	HANDLE WITH MICROSWITCH	1
19	SEE NOTE	PANHEAD SCREW M3 x 8 mm UNI7689	1
20	CS07924	INSULATOR HF 30/120A	1
21	CS51480	CONTACT TIP AIR/N ₂ 30A	1
	CS51481	CONTACT TIP AIR/N ₂ 40A	1
	CS51482	CONTACT TIP AIR/N ₂ 50/60A	1
22	CS51484	CONTACT TIP AIR/N ₂ 60A	1
	CS51485	CONTACT TIP AIR/N ₂ 70A	1
	CS51486	CONTACT TIP AIR/N ₂ 80A	1
	CS51487	CONTACT TIP AIR/N ₂ 90/100A	1
	CS51488	CONTACT TIP AIR/N ₂ 120A	1
23	CS60482	SHIELD CUP BODY 30/60A (INCLUDING ITEM # 8)	1
24	CS60483	SHIELD CUP BODY 60/120A (INCLUDING ITEM # 8)	1
25	CS60485	SHIELD CUP HAND 30/60A	1
26		SHIELD CUP HAND 60/120A	1
27	CS52603	EXTENDED ELECTRODE AIR/N ₂	1
28		EXTENDED CONTACT TIP AIR/N ₂ 30A	1
	CS51491	EXTENDED CONTACT TIP AIR/N ₂ 40A	1
		EXTENDED CONTACT TIP AIR/N ₂ 50/60A	1
29	CS51493	EXTENDED CONTACT TIP AIR/N ₂ 60A	1
		EXTENDED CONTACT TIP AIR/N ₂ 70A	1
	CS51495	EXTENDED CONTACT TIP AIR/N ₂ 80A	1
		EXTENDED CONTACT TIP AIR/N ₂ 90/100A	1
	CS51497	EXTENDED CONTACT TIP AIR/N ₂ 120A	1
30	CS60490	EXTENDED SHIELD CAP HAND 30/60A	1
31	CS60491	EXTENDED SHIELD CAP HAND 60/120A	1
N/S	CS51864	CIRCLE CUTTING ATTACHMENT	1

REPLACEMENT MACHINE TORCH PARTS SUITABLE FOR:

EL-120®



REPLACEMENT MACHINE TORCH PARTS SUITABLE FOR:

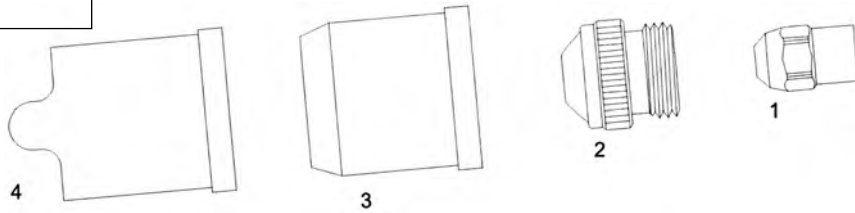
EL-120®

ITEM	CATALOG NUMBER	DESCRIPTION	STD. QTY
		EL-120 180° MACHINE TORCH 6 m (20 ft) LEADS	
		EL-120 180° MACHINE TORCH 12 m (40 ft) LEADS	
		EL-120 180° LEAD ASSEMBLY 6 m (20 ft) LENGHT	
		EL-120 180° LEAD ASSEMBLY 12 m (40 ft) LENGHT	
1	CS07921	EL-120 180° TORCH HEAD	1
1/a	CS07300.60	O-RING	1
1/b	CS07920.60	O-RING	1
2	CS52600	ELECTRODE AIR/N ₂	1
3	CS07923	START CARTRIDGE 30/120A	1
4	CS60060	GAS DISTRIBUTOR 30/60A	1
5	CS60061	GAS DISTRIBUTOR 60/120A	1
6	CS51470	TIP CUTTING AIR/N ₂ 30A	1
	CS51471	TIP CUTTING AIR/N ₂ 40A	1
	CS51472	TIP CUTTING AIR/N ₂ 50/60A	1
7	CS51474	TIP CUTTING AIR/N ₂ 60A	1
	CS51475	TIP CUTTING AIR/N ₂ 70A	1
	CS51476	TIP CUTTING AIR/N ₂ 80A	1
	CS51477	TIP CUTTING AIR/N ₂ 90/100A	1
	CS51478	TIP CUTTING AIR/N ₂ 120A	1
8	CS60442	COIL SPRING	1
9	CS60480	SHIELD CUP STANDARD 30/60A (INCLUDING ITEM # 8)	1
10	CS60481	SHIELD CUP STANDARD 60/120A (INCLUDING ITEM # 8)	1
11	SEE NOTE	PANHEAD SCREW M3 x 6 mm UNI7687	1
12	SE NOTE	INTERNAL STAR WASER A3 UNI8842	1
13	CS9-5577	PIN HOUSING	2
14	CS9-4651	PIN	2
15	CS9-5578	SOCKET HOUSING	2
16	CS9-5764	SOCKET	2
17	CS07215	FIBERGLASS POSITIONING TUBE	1
18	CS07924	INSULATOR HF 30/120A	1
19	CS51480	CONTACT TIP AIR/N ₂ 30A	1
	CS51481	CONTACT TIP AIR/N ₂ 40A	1
	CS51482	CONTACT TIP AIR/N ₂ 50/60A	1
20	CS51484	CONTACT TIP AIR/N ₂ 60A	1
	CS51485	CONTACT TIP AIR/N ₂ 70A	1
	CS51486	CONTACT TIP AIR/N ₂ 80A	1
	CS51487	CONTACT TIP AIR/N ₂ 90/100A	1
	CS51488	CONTACT TIP AIR/N ₂ 120A	1
21	CS60482	SHIELD CUP BODY 30/60A (INCLUDING ITEM # 8)	1
22	CS60483	SHIELD CUP BODY 60/120A (INCLUDING ITEM # 8)	1
23	CS60487	SHIELD CAP MACHINE 30/60A	1
24	CS60488	SHIELD CAP MACHINE 60/120A	1
25	CS07217	MOUNTING BLOCK	1
26	CS07216	FIBERGLASS POSITIONING TUBE WITH RACK	1
27	CS7-2827	PINION ASSEMBLY	1

REPLACEMENT PARTS SUITABLE FOR:

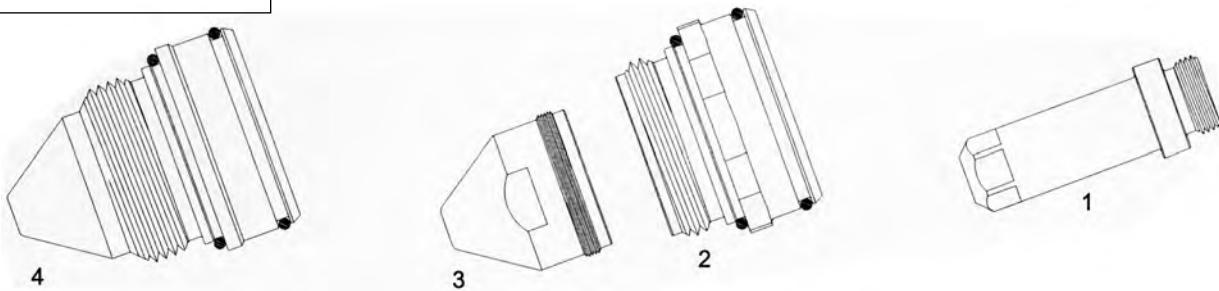
ESAB® / L-TEC®

PT-17®



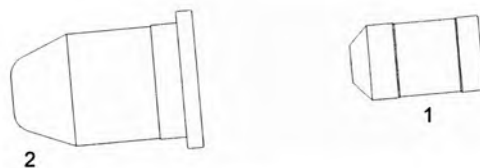
ITEM	CATALOG NUMBER	DESCRIPTION	STD. QTY
1	CS19918	ELECTRODE	10
2	CS19914	TIP .037	10
	CS19915	TIP .046	10
	CS19916	TIP .052	10
	CS19917	TIP .057	10
	CS20056	TIP .067	10
3	CS19124	HEAT SHIELD	5
4	CS19122	HEAT SHIELD (DRAG)	5

PT-19XL®



ITEM	CATALOG NUMBER	DESCRIPTION	STD. QTY
1	CS34086XL	ELECTRODE 02	2
2	CS22028	NOZZLE BASE 100-200A	1
3	CS22029	TIP 100A	2
	CS22030	TIP 150A	2
	CS22031	TIP 200A	2
4	CS21822	TIP 250A	2

PT-20®

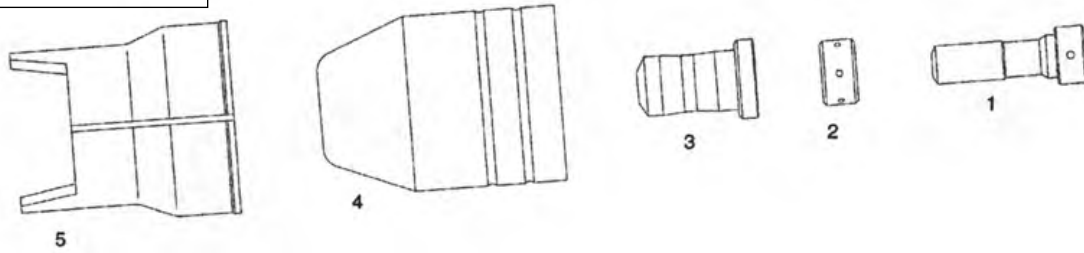


ITEM	CATALOG NUMBER	DESCRIPTION	STD. QTY
1	CS21150	ELECTRODE	10
2	CS21330	TIP 50A .039	10
	CS21329	TIP 70A .051	10
	CS21328	TIP 100A .059	10

REPLACEMENT PARTS SUITABLE FOR:

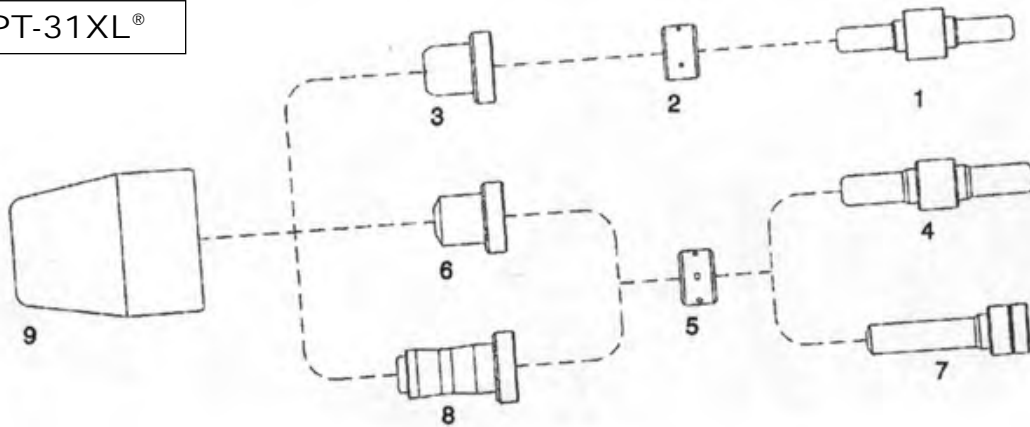
ESAB® / L-TEC®

PT-23/27®



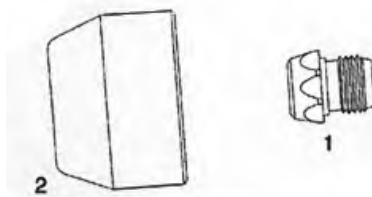
ITEM	CATALOG NUMBER	DESCRIPTION	STD. QTY
1	CS33366	ELECTRODE	10
2	CS33367	SWIRL BAFFLE	10
3	CS33368	TIP 30A .037	10
	CS33369	TIP 50A .046	10
	CS33418	TIP 80A .052	10
4	CS21616	SHIELD CUP (PT27 ONLY)	2
5	CS21420	GUARD (DRAG)	2

PT-31® / PT-31XL®



ITEM	CATALOG NUMBER	DESCRIPTION	STD. QTY
1	CS18205	ELECTRODE	10
2	CS18785	SWIRL BAFFLE	10
3	CS18866	TIP 30A .039	10
4	CS19683	ELECTRODE XL	10
5	CS20463	SWIRL BAFFLE XL	10
6	CS19682	TIP XL 30A .038	10
	CS20079	TIP XL 50A .053	10
7	CS20862	EXTENDED ELECTRODE XL	10
8	CS20860	EXTENDED TIP XL 30A .038	10
	CS21008	EXTENDED TIP XL 40A .042	10
	CS20861	EXTENDED TIP XL 50A .046	10
9	CS18204	SHIELD CUP	5

PT-121®

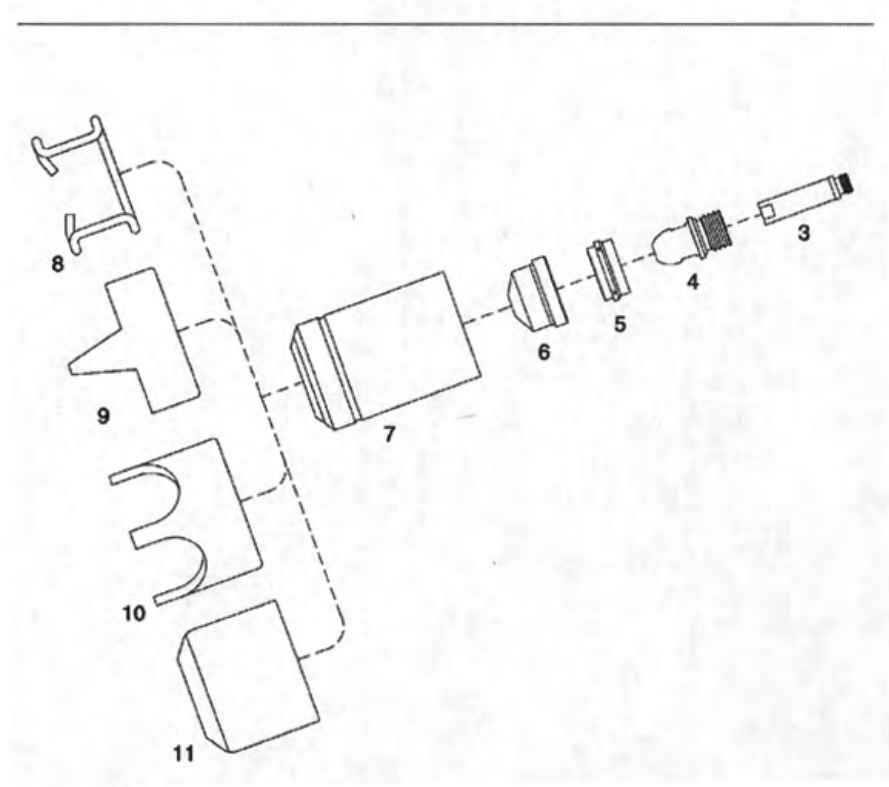
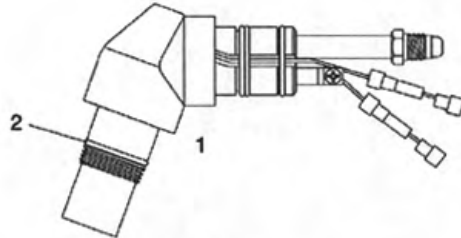


ITEM	CATALOG NUMBER	DESCRIPTION	STD. QTY
1	CS17119	TIP 50A .047	10
2	CS999263	TIP 120A .056	10
	CS999264	TIP 150A .062	10
	CS999261	HEAD SHIELD	5

REPLACEMENT PARTS SUITABLE FOR:

HOBART®

SMOOTHCUT 140®

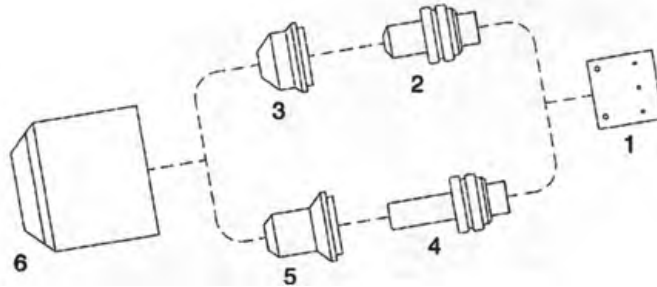


ITEM	CATALOG NUMBER	DESCRIPTION	STD. QTY
1	CS494418-2	70° TORCH HEAD	1
2	CS494418-3	O-RING	20
3	CS05004	AIR DIFFUSOR	5
4	CS52540	ELECTRODE	10
5	CS60020	SWIRL RING	5
6	CS51140	TIP 1.1	10
	CS51141	TIP 1.35	10
	CS51142	TIP 1.6	10
	CS51143	TIP 1.8	10
	CS51144	TIP GOUGING 3.0	10
7	CS494418-14	RETAINING CAP	1
8	CS494418-20	SPACER SPRING	10
9	CS494418-21	DOUBLE POINTED SPACER	2
10	CS494418-22	SPACER CROWN	2
11	CS494418-15	SPACER GOUGING	2

REPLACEMENT PARTS SUITABLE FOR:

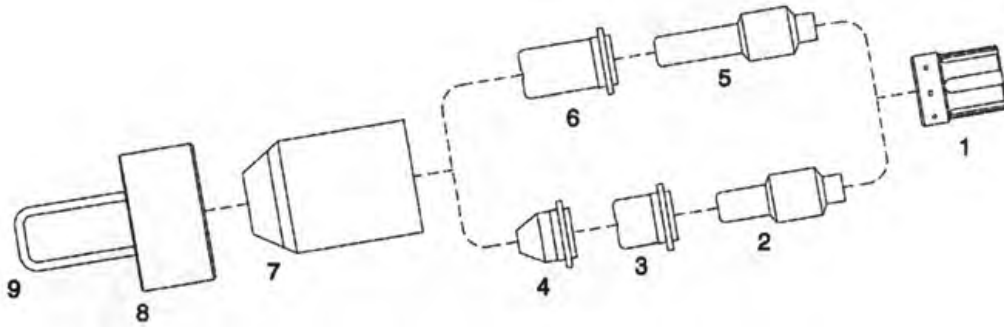
HYPERTHERM®

MAX 20® POWERMAX 350® POWERMAX 380®



ITEM	CATALOG NUMBER	DESCRIPTION	STD. QTY
1	CS020239	SWIRL RING	5
2	CS020220	ELECTRODE	10
3	CS020299	TIP	10
4	CS020382	EXTENDED ELECTRODE	10
5	CS020381	TIP EXTENDED Ø.073 - .029	10
	CS120504	TIP EXTENDED Ø.081 - .032	10
6	CS020218	RETAINING CAP	2

MAX 40CS® / MAX 42® / MAX 43®

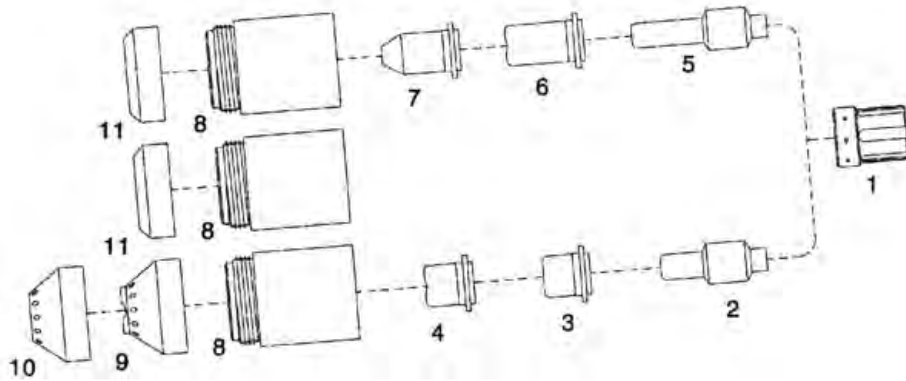


ITEM	CATALOG NUMBER	DESCRIPTION	STD. QTY
1	CS020361	SWIRL RING	2
2	CS120573	ELECTRODE (REPLACES CS020351)	10
3	CS020350	TIP (CASTLE) .038	10
	CS020395	TIP (CASTLE) .042	10
4	CS020542	TIP (PIPE)	10
5	CS120574	EXTENDED ELECTRODE (REPLACES CS020547)	10
6	CS020546	EXTENDED TIP	10
7	CS020930	RETAINING CAP	2
8	CS60311	SPACER WITH EXTENDED SPRINGS	2
9	CS60383	EXTENDED SPRINGS (FIT OVER CS60311)	20
N/S	CS51853	CIRCLE CUTTING ATTACHMENT	1
N/S	CS51809	CUTTING GUIDE	1

REPLACEMENT PARTS SUITABLE FOR:

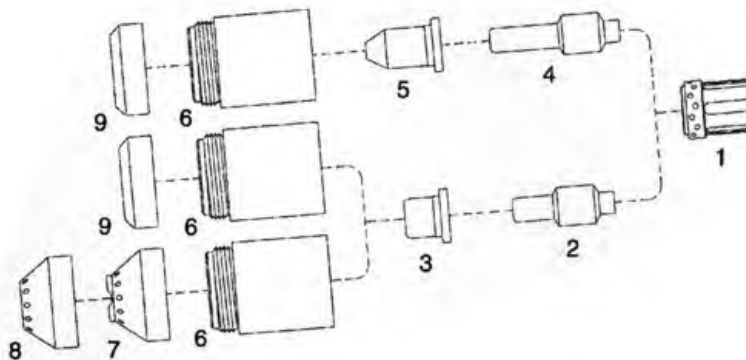
HYPERTHERM®

POWERMAX 800®



ITEM	CATALOG NUMBER	DESCRIPTION	STD. QTY
1	CS020361	SWIRL RING	2
2	CS120573	ELECTRODE (REPLACES CS020351)	10
3	CS120438	TIP 40A	10
	CS120282	TIP 50A	10
4	CS020395	TIP 50A (CASTLE)	10
5	CS120574	EXTENDED ELECTRODE (REPLACES CS020547)	10
6	CS120304	EXTENDED TIP (CASTLE)	10
7	CS120305	EXTENDED TIP (PIPE)	10
8	CS120301	RETAINING CAP	1
9	CS120283	SHIELD (HAND)	2
10	CS120326	SHIELD (MACH)	2
11	CS120303	DEFLECTOR	5
N/S	CS51865	CIRCLE CUTTING ATTACHMENT	1
N/S	CS51804	CUTTING GUIDE	1

POWERMAX 900®

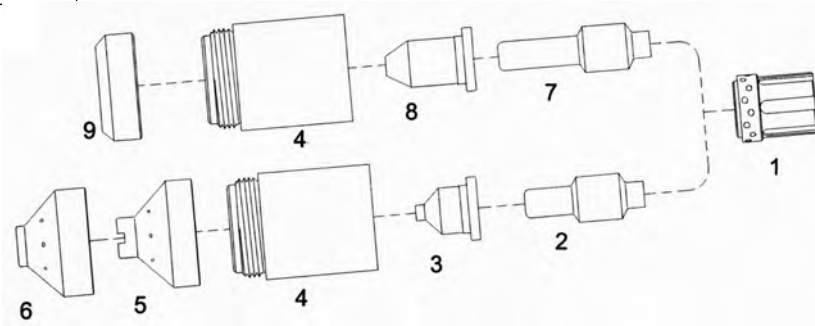


ITEM	CATALOG NUMBER	DESCRIPTION	STD. QTY
1	CS120576	SWIRL RING	2
2	CS120573	ELECTRODE	10
3	CS120577	TIP 55A	10
4	CS120574	EXTENDED ELECTRODE	10
5	CS120606	EXTENDED TIP 35A	10
	CS120578	EXTENDED TIP (PIPE)	10
6	CS120600	RETAINING CAP	1
7	CS120601	SHIELD (HAND)	2
8	CS120602	SHIELD (MACH)	2
9	CS120303	DEFLECTOR	5
N/S	CS51865	CIRCLE CUTTING ATTACHMENT	1
N/S	CS51804	CUTTING GUIDE	1

REPLACEMENT PARTS SUITABLE FOR:

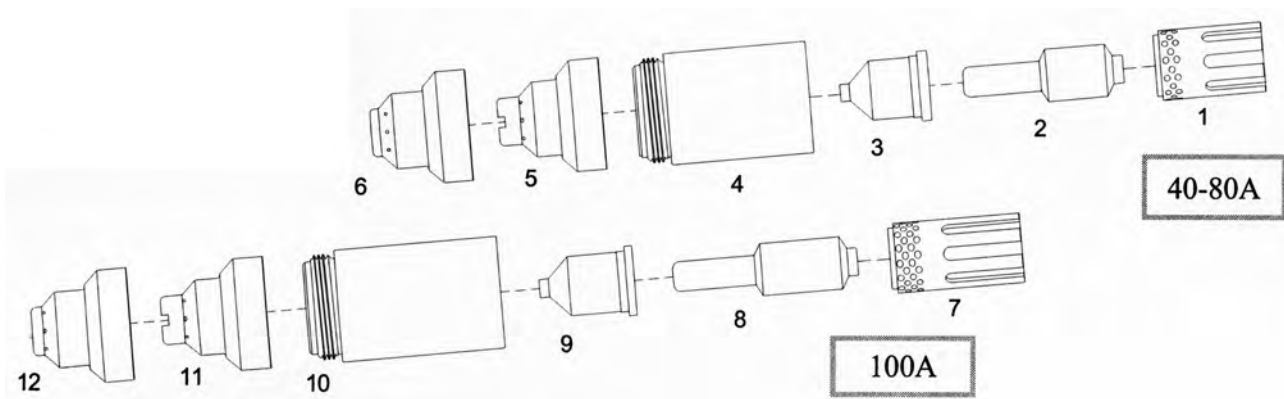
HYPERTHERM®

POWERMAX 600®



ITEM	CATALOG NUMBER	DESCRIPTION	STD. QTY
1	CS120576	SWIRL RING	2
2	CS120573	ELECTRODE-HF	10
3	CS120826	TIP 40A	10
4	CS120600	CAP RETAINING	1
5	CS120828	SHIELD (HAND)	2
6	CS120827	SHIELD (MACHINE)	2
7	CS120574	EXTENDED ELECTRODE-HF	10
8	CS120606	TIP 35A EXTENDED	10
9	CS120303	DEFLECTOR	5
N/S	CS51865	CIRCLE CUTTING ATTACHMENT	1
N/S	CS51804	CUTTING GUIDE	1

POWERMAX 1000® / POWERMAX 1250® / POWERMAX 1650®

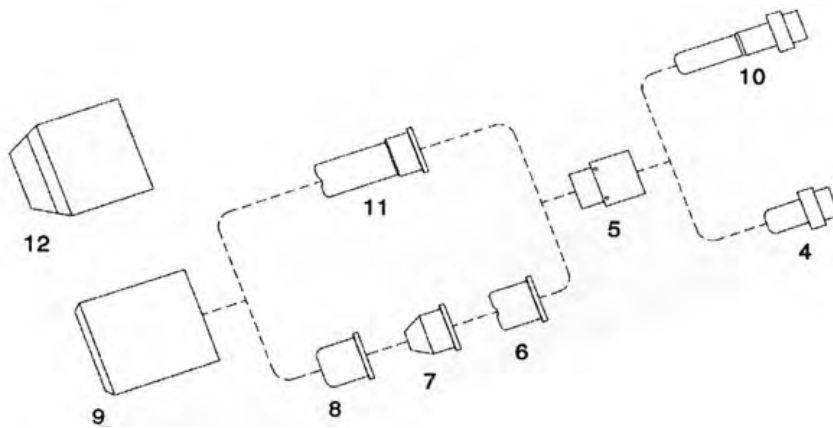
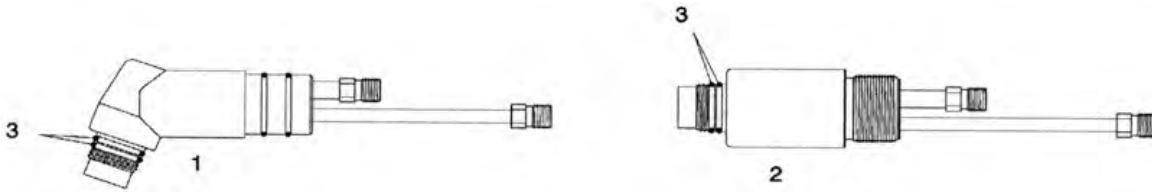


ITEM	CATALOG NUMBER	DESCRIPTION	STD. QTY
1	120925	SWIRL RING	2
2	120926	ELECTRODE-HF	10
3	120932	TIP 40A	10
	120931	TIP 60A	10
	120927	TIP 80A	10
4	120928	CAP RETAINING	1
5	120929	SHIELD (HAND)	2
6	120930	SHIELD (MACHINE)	2
7	220051	SWIRL RING	2
8	220037	ELECTRODE-HF	10
9	220011	TIP 100A	10
10	220048	CAP RETAINING	1
11	220065	SHIELD (HAND)	2
12	220047	SHIELD (MACHINE)	2
N/S	CS51865	CIRCLE CUTTING ATTACHMENT	1
N/S	CS51804	CUTTING GUIDE	1

REPLACEMENT PARTS SUITABLE FOR:

HYPERTHERM®

MAX 40®

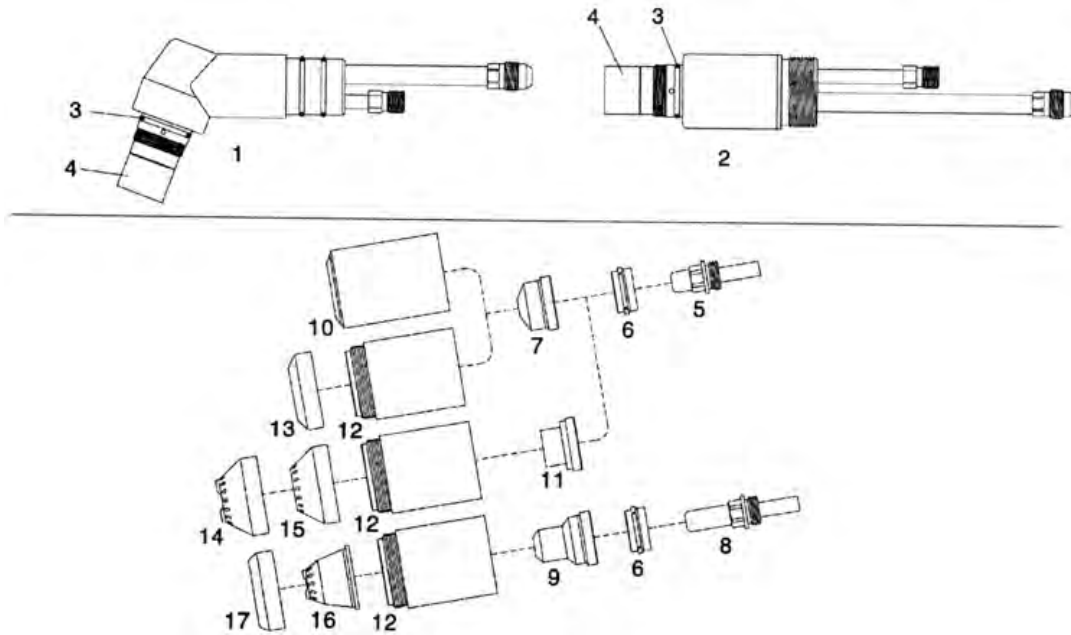


ITEM	CATALOG NUMBER	DESCRIPTION	STD. QTY
N/S	CS057112	HAND TORCH WITH 25' CABLE (1/2 - 20 CONNECTION)	1
N/S	CS057113	HAND TORCH WITH 50' CABLE (1/2 - 20 CONNECTION)	1
N/S	CS07340	MACHINE TORCH WITH 25' CABLE (1/2 - 20 CONNECTION)	1
N/S	CS07350	MACHINE TORCH WITH 50' CABLE (1/2 - 20 CONNECTION)	1
1	CS057114	70° TORCH HEAD W/HANDLE	1
N/S	CS07302	HAND SPARE HANDLE COMPLETE WITH MICROSWITCH	1
2	CS020114	180° TORCH HEAD	1
N/S	CS020206	MACHINE SPARE HANDLE	1
3	CS026016	O-RING	20
4	CS020103	ELECTRODE	10
5	CS020101	SWIRL RING	5
6	CS020115	TIP (CASTLE)	10
7	CS020131	TIP (PIPE)	10
8	CS020102	TIP (MACH)	10
9	CS020104	RETAINING CAP	2
10	CS020467	EXTENDED ELECTRODE	10
11	CS020466	EXTENDED TIP	10
12	CS020200	RETAINING CAP (HI VIS)	2
N/S	CS07380	AIR AND POWER CABLE 25' - HAND TORCH	1
N/S	CS07385	AIR AND POWER CABLE 50' - HAND TORCH	1
N/S	CS07390	AIR AND POWER CABLE 25' - MACHINE TORCH	1
N/S	CS07395	AIR AND POWER CABLE 50' - MACHINE TORCH	1
N/S	CS51853	CIRCLE CUTTING ATTACHMENT	1
N/S	CS51809	CUTTING GUIDE	1

REPLACEMENT PARTS SUITABLE FOR:

HYPERTHERM®

MAX 100®

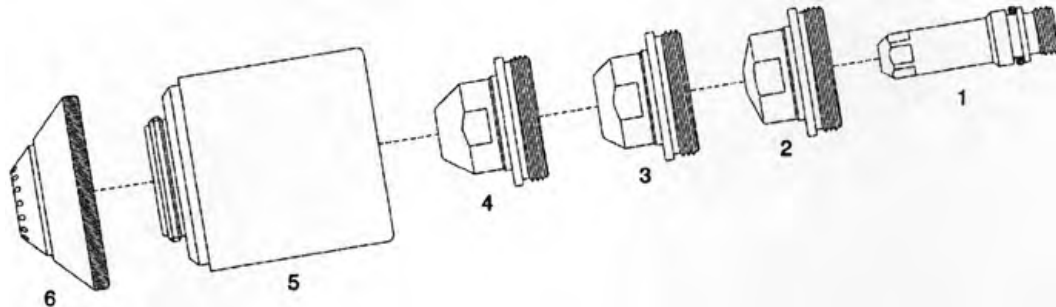


ITEM	CATALOG NUMBER	DESCRIPTION	STD. QTY
N/S	CS059076	HAND TORCH WITH 25' CABLE (1/2 - 20 CONNECTION)	1
N/S	CS059077	HAND TORCH WITH 50' CABLE (1/2 - 20 CONNECTION)	1
N/S	CS07440	MACHINE TORCH WITH 25' CABLE (1/2 - 20 CONNECTION)	1
N/S	CS07450	MACHINE TORCH WITH 50' CABLE (1/2 - 20 CONNECTION)	1
1	CS020189	70° TORCH HEAD W/HANDLE	1
N/S	CS07402	HAND SPARE HANDLE COMPLETE WITH MICROSWITCH	1
2	CS020201	180° TORCH HEAD	1
N/S	CS020245	MACHINE SPARE HANDLE	1
3	CS026018	O-RING	20
4	CS60080	FRONT INSULATOR	2
5	CS120433	ELECTRODE (REPLACES CS020191)	10
6	CS020194	SWIRL RING	5
7	CS020203	TIP 40A	10
	CS020345	TIP 80A	10
	CS020195	TIP 100A	10
8	CS020564	EXTENDED ELECTRODE	10
9	CS51123.10	EXTENDED TIP .038	10
	CS020563	EXTENDED TIP .055	10
10	CS020184	RETAINING CAP	1
11	CS020396	CONTAC TIP 40A	10
	CS020397	CONTAC TIP 80A	10
	CS020337	CONTAC TIP 100A	10
12	CS020336/F	CONTAC SHIELD CAP - FIBER GLASS	1
	CS020336	CONTAC SHIELD CAP - MAX. LIFE	1
13	CS020333	DEFLECTOR	5
14	CS020335	SHIEL CAP (HAND)	2
15	CS020334	SHIEL CAP (MACH)	2
16	CS51980/TD	EXTENDED SHIELD CAP (HAND)	2
17	CS51959/TD	LOCKING NUT	5
N/S	CS60369	EXTRACTOR FOR SWIRL RING	1
N/S	CS07480	AIR AND POWER CABLE 25' - HAND TORCH	1
N/S	CS07485	AIR AND POWER CABLE 50' - HAND TORCH	1
N/S	CS07490	AIR AND POWER CABLE 25' - MACHINE TORCH	1
N/S	CS07495	AIR AND POWER CABLE 50' - MACHINE TORCH	1
N/S	CS51852	CIRCLE CUTTING ATTACHMENT	1
N/S	CS51808	CUTTING GUIDE	1

REPLACEMENT PARTS SUITABLE FOR:

HYPERTHERM®

MAX 200® / HT-2000®

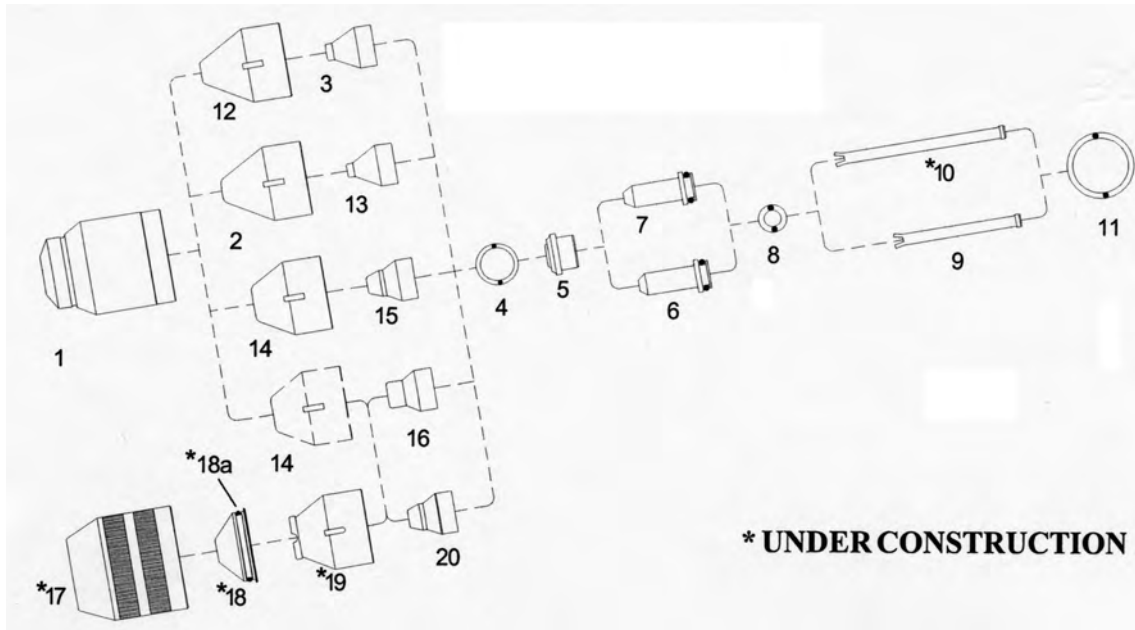


ITEM	CATALOG NUMBER	DESCRIPTION	STD. QTY
1	CS120547	ELECTRODE O ₂ AIR 100A	5
	CS120667	ELECTRODE O ₂ AIR 200A (REPLACES CS020664 AND CS020414)	5
2	CS020689	NOZZLE-AIR 40A .038	5
3	CS020616	NOZZLE-O ₂ 100A .055 (MAX 200® ONLY)	5
	CS020611	NOZZLE-AIR/N ₂ /Ar-H ₂ 100A .059	5
4	CS020608	NOZZLE-AIR/N ₂ /Ar-H ₂ 200A .086	5
	CS020605	NOZZLE-O ₂ 200A .082	5
	CS020690	NOZZLE-O ₂ 100A .055	5
	CS020615	NOZZLE GOUGING AIR 200A	5
5	CS020423	RETAINING CAP	1
6	CS020448	SHIELD CAP 100A	1
	CS020424	SHIELD CAP 200A	1

REPLACEMENT PARTS SUITABLE FOR:

KJELLBERG®

PB-S40WH/L® / PB-S20W/WH® / PB-S25W/WH® / PB-S40W/WH®
 PB-S45W/WH® / PB-S45W/WH-1® / PZ-S45W®



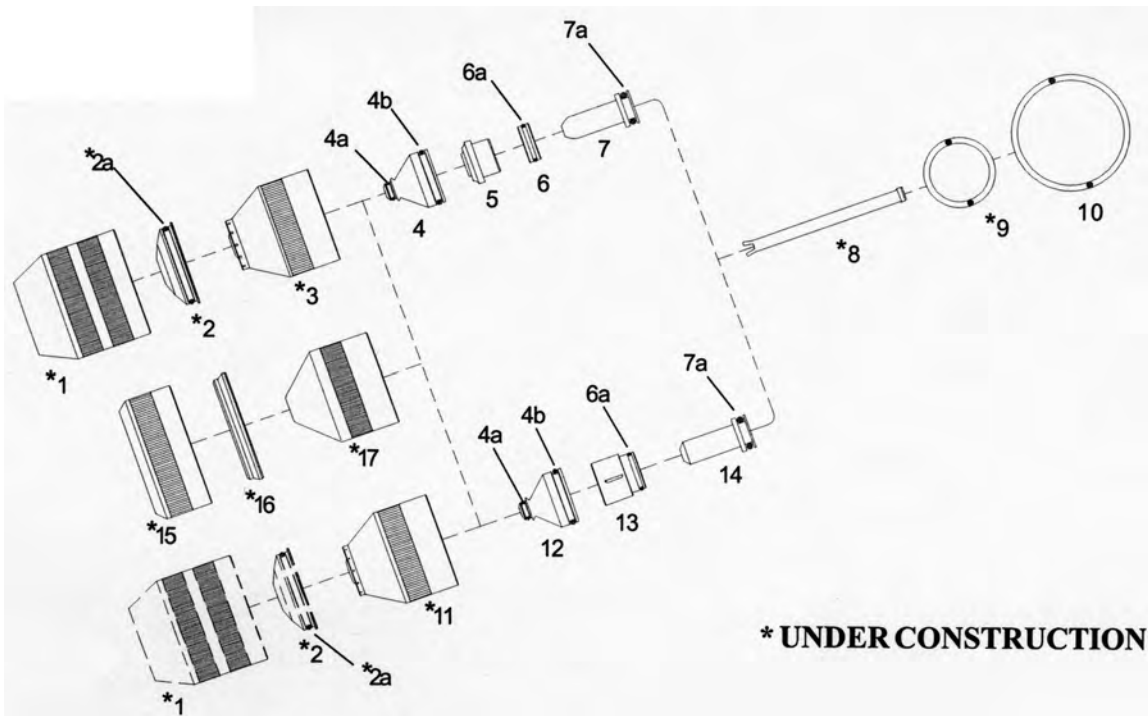
*** UNDER CONSTRUCTION**

ITEM	CATALOG NUMBER	DESCRIPTION	STD. QTY
1	CS11828101160	SHIELD CUP	1
2	CS11828201151	NOZZLE RETAINING CAP Ø6.0	2
3	CS11828201413	NOZZLE LD Ø1.3 AIR	5
	CS11828201414	NOZZLE LE Ø1.4 AIR	5
4	CS10575036	O-RING 12 x 1.5 SILICONE	20
5	CS11828001153	SWIRL RING	2
6	CS118280013001	ELECTRODE KB AIR	5
7	CS118343213001	ELECTRODE KB - X1 O ₂ -SOLID SILVER - (REPLACES CS118280213001)	1
	CS118343213001P	ELECTRODE KB - X1 O ₂ -SILVER PLATED - (REPLACES CS118280213001)	5
8	CS10505827	O-RING 6 x 2 SILICONE	20
9	CS11828001152	COOLING TUBE	5
10	**11832201152	*COOLING TUBE	-
11	CS10575052	O-RING 20 x 2 SILICONE	20
12	CS11828001151	NOZZLE RETAINING CUP Ø5.0	2
13	CS11828001410	NOZZLE LB Ø1.0 AIR	5
	CS11828001413	NOZZLE LD Ø1.3 AIR	5
14	CS11830301151	NOZZLE RETAINING CUP Ø9.6	2
15	CS11828203410	NOZZLE LLE Ø1.0 AIR	5
	CS11828203413	NOZZLE LDE Ø1.3 AIR	5
	CS11828213414	NOZZLE LEE Ø1.4 AIR	5
16	CS11828302425	NOZZLE LK Ø2.5 AIR	5
	CS11828302430	NOZZLE LN Ø3.0 AIR	5
17	**11832201081	*SHIELD CUP	-
18	**118322011571	*SHIELD Ø4.0	-
18A	**10505911	*O-RING 22 x 1.5 SILICONE	-
19	**11832201160	*NOZZLE RETAINING CUP	-
20	CS11834321410	NOZZLE LLE-X1 Ø1.0 O ₂ (REPLACES CS11828223410)	5
	CS11834321413	NOZZLE LDE-X1 Ø1.3 O ₂ (REPLACES CS11828223414)	5
	CS11834321414	NOZZLE LEE-X1 Ø1.4 O ₂	5

REPLACEMENT PARTS SUITABLE FOR:

KJELLBERG®

PERCUT 100®

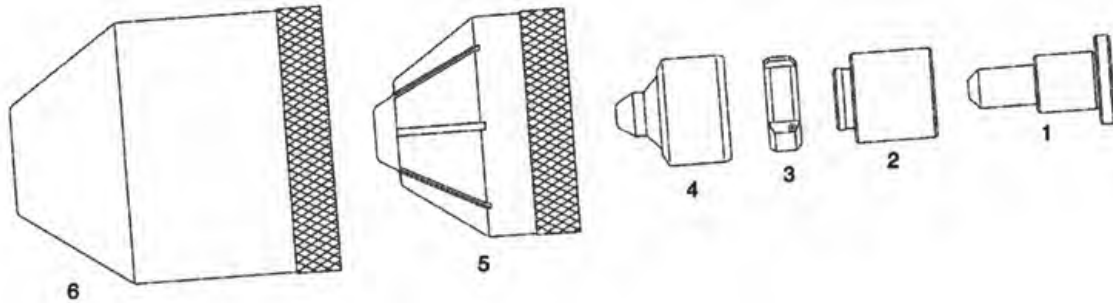


ITEM	CATALOG NUMBER	DESCRIPTION	STD. QTY
1	**11835201081	*SHIELD CUP	-
2	**118352011561	*SHIELD Ø1.5	-
	**118352011571	*SHIELD Ø2.0	-
	**118354011571	*SHIELD Ø4.0	-
2a	**10505914	*O-RING 24 x 1.5 SILICONE	-
3	**11835201162	*NOZZLE RETAINING CUP Ø0.8	-
4	CS11835221406	NOZZLE Ø0.6 O ₂	5
	CS11835221407	NOZZLE Ø0.7 O ₂	5
	CS11835221408	NOZZLE Ø0.8 O ₂	5
	CS11835221409	NOZZLE Ø0.9 O ₂	5
	CS11835221410	NOZZLE Ø1.0 O ₂	5
4a	CS10505820	O-RING 4 x 1 SILICONE	20
4b	CS10505885	O-RING 15 x 1.5 SILICONE	20
5	CS11834321153	SWIRL RING	2
6	CS11835421303	SPACER RING	2
6a	CS10505869	O-RING 10 x 1 SILICONE	20
7	CS118354213101	ELECTRODE O ₂ X1 ZO12 - SOLID SILVER	1
	CS118354213101P	ELECTRODE O ₂ X1 ZO12 - SILVER PLATED	5
7a	CS10505827	O-RING 6 x 2 SILICONE	20
8	**11835201152	*COOLING TUBE PERCUT 100	-
9	**10505946	*O-RING 36 x 2 SILICONE	-
10	CS10575052	O-RING 20x 2 SILICONE	20
11	**11.835.201.160	*NOZZLE RETAINING CUP Ø0.4	-
12	CS11835421412	NOZZLE Ø1.2 O ₂	5
	CS11835421414	NOZZLE Ø1.4 O ₂	5
13	CS11835221153	SWIRL RING	2
14	CS118352213101	ELECTRODE O ₂ X1 ZO02 - SOLID SILVER	1
	CS118352213101P	ELECTRODE O ₂ X1 ZO02 - SILVER PLATED	5
15	**11835201085	*NOZZLE RETAINING CUP	-
16	**11835201086	*INSULATOR	-
17	**11835201087	*SHIELD CUP	-

REPLACEMENT PARTS SUITABLE FOR:

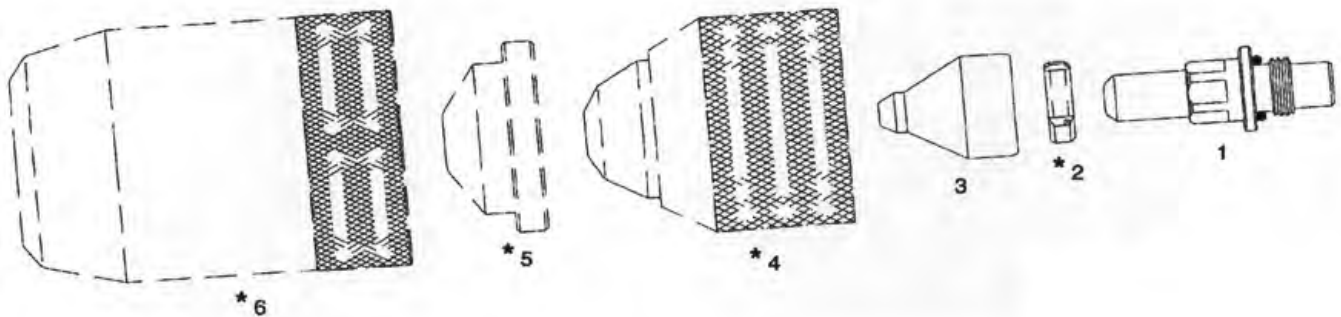
KOMATSU®

G 940®



ITEM	CATALOG NUMBER	DESCRIPTION	STD. QTY
1	CS7848-60-5330	ELECTRODE-HF	10
2	CS7848-60-5350	INSULATING SLEEVE	5
3	CS7848-60-5360	SWIRL RING	5
4	CS7848-60-5150	TIP 0.4	10
	CS7848-60-5170	TIP 0.5	10
	CS7848-60-5130	TIP 0.6	10
	CS7848-60-5160	TIP 0.7	10
5	CS7848-60-5110	RETAINING CAP-TAPERED	1
6	CS7848-60-5310	END CAP	1

G 990®



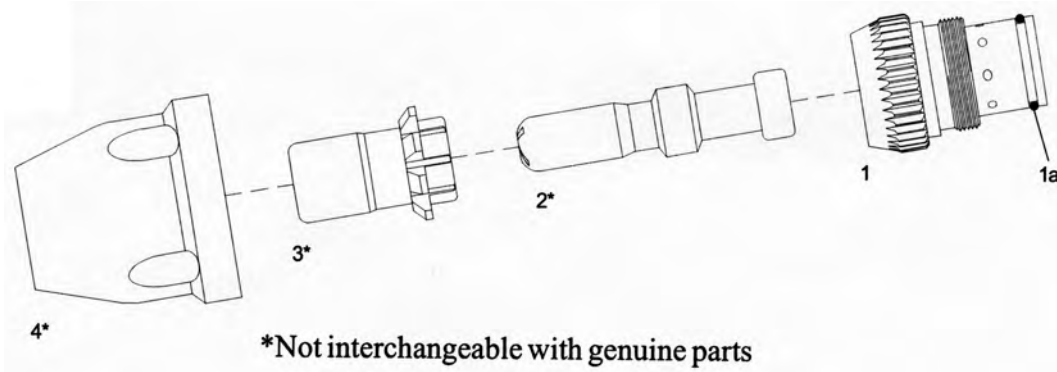
*** UNDER CONSTRUCTION**

ITEM	CATALOG NUMBER	DESCRIPTION	STD. QTY
1	CS7848-65-5920	ELECTRODE-HF	10
2	CS7848-65-5360	SWIRL RING	5
3	CS7848-65-5160	TIP Ø0.8	10
	CS7848-65-5180	TIP Ø1.1	10
	CS969-95-40211	TIP Ø1.3	10
4	**7848-65-5520	CAP No 1	1
5	**7848-65-5530	SHIELD CAP	1
6	**7848-65-5580	CAP No 2	1

REPLACEMENT PARTS SUITABLE FOR:

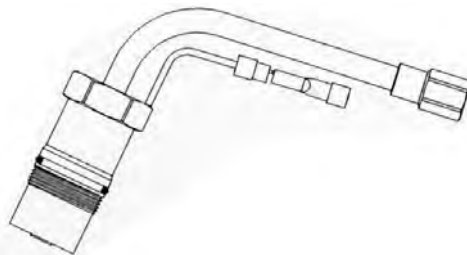
LINCOLN®

PCT80® / PROCUT 20® / PROCUT 55® / PROCUT 80®



ITEM	CATALOG NUMBER	DESCRIPTION	STD. QTY
1	CSS22148	SWIRL RING ASSEMBLY	1
1a	CST13483-23	O-RING	20
2	CSS22149	ELECTRODE	10
3	CSS22147-028	NOZZLE .028" 0.7 mm 20A	10
	CSS22147-043	NOZZLE .043" 1.5 mm 55A	10
	CSS22147-043	NOZZLE .053" 1.3 mm 80A	10
4	CSS22150	SHIELD	2

T 100®

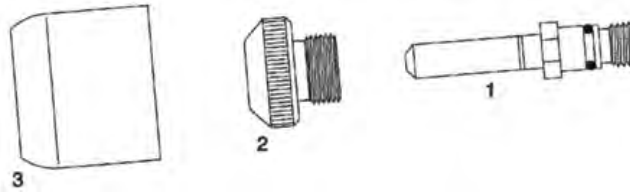


ITEM	CATALOG NUMBER	DESCRIPTION	STD. QTY
1	CS01201/KIT	TORCH HEAD COMPLETE WITH HANDLE	1
2	CS01250LT	HAND TORCH 6 m (20') LEADS-1/8G	1
3	CS01350LT	HAND TORCH 12 m (40') LEADS-1/8G	1
4	CS01251LT	HAND TORCH 6 m (20') LEADS-EUROCONNECTOR	1
5	CS01351LT	HAND TORCH 12 m (40') LEADS-EUROCONNECTOR	1

REPLACEMENT PARTS SUITABLE FOR:

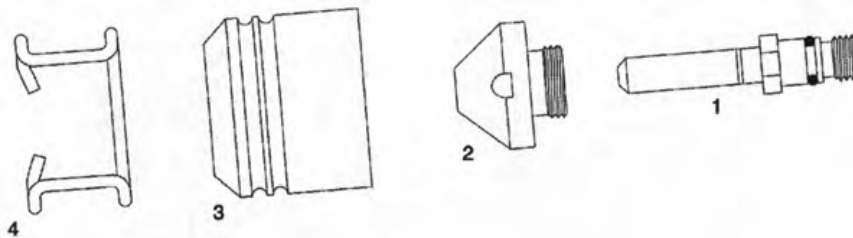
MESSER GRIESHEIM®

PCH 60®



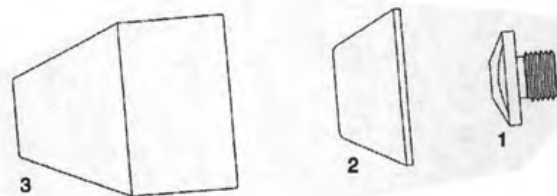
ITEM	CATALOG NUMBER	DESCRIPTION	STD. QTY
1	CS753.03293	ELECTRODE	10
2	CS753.03311	TIP	10
3	CS753.03314	RETAINING CAP	2

PCH 95®



ITEM	CATALOG NUMBER	DESCRIPTION	STD. QTY
1	CS753.03293	ELECTRODE	10
2	CS753.03753	TIP 1.0	10
	CS753.03754	TIP 1.2	10
3	CS753.03751	RETAINING CAP	5
4	CS753.03777	SPACER SPRING	10

PCH 100® / PCM 250®

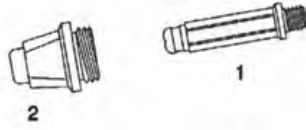


ITEM	CATALOG NUMBER	DESCRIPTION	STD. QTY
1	CS445.292	TIP 1.0	10
	CS445.291	TIP 1.4	10
	CS445.327	TIP 2.0	10
	CS445.261	TIP 2.5	10
2	CS445.278	CERAMIC SHROUD PCH 100	5
3	CS445.259	CERAMIC SHROUD PCM 250	1

REPLACEMENT PARTS SUITABLE FOR:

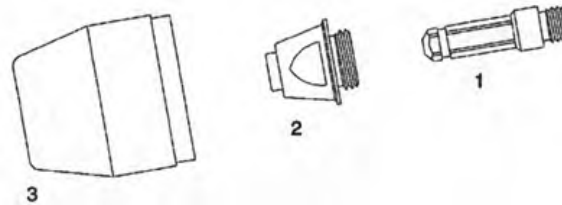
MILLER®

APT 3000®



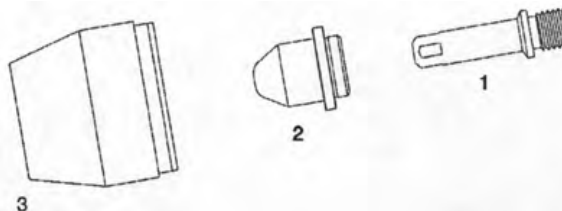
ITEM	CATALOG NUMBER	DESCRIPTION	STD. QTY
1	CS125-069	ELECTRODE	10
2	CS125-070	TIP	10

APT 5000 / 7000®



ITEM	CATALOG NUMBER	DESCRIPTION	STD. QTY
1	CS123-899	ELECTRODE	10
2	CS123-898	TIP 50A	10
	CS134-338	TIP 70A	10
3	CS123-897	SHIELD CUP (APT 5000 ONLY)	5

APT 8000®

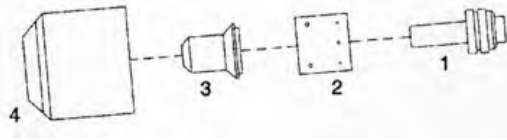


ITEM	CATALOG NUMBER	DESCRIPTION	STD. QTY
1	CS125-039	ELECTRODE	10
2	CS125-039/T	ELECTRODE TEFLON COATED	10
3	CS125-038	TIP	10
4	CS125-040	SHIELD CUP	5

REPLACEMENT PARTS SUITABLE FOR:

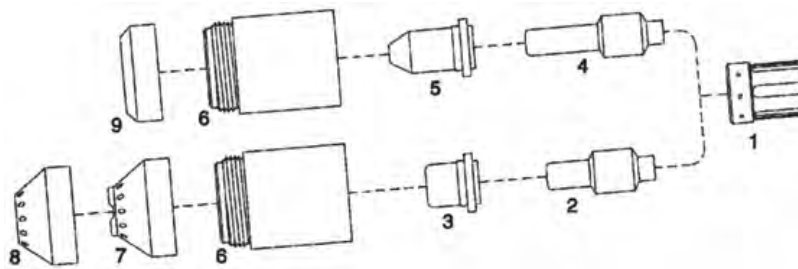
MILLER®

ICE 25C® / ICE 27C®



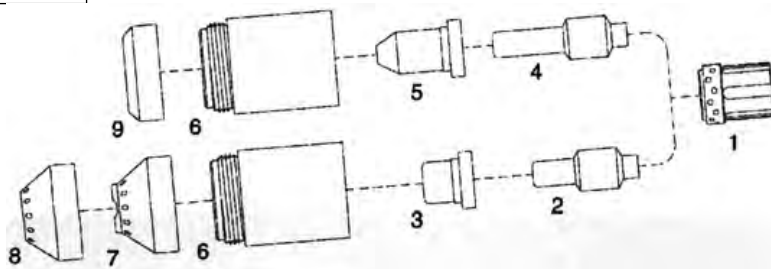
ITEM	CATALOG NUMBER	DESCRIPTION	STD. QTY
1	CS176655	ELECTRODE	10
2	CS176657	SWIRL RING (ICE 25C ONLY)	5
3	CS176656	TIP .030	10
4	CS176658	RETAINING CAP (ICE 25C ONLY)	2

ICE 50C®



ITEM	CATALOG NUMBER	DESCRIPTION	STD. QTY
1	CS177886	SWIRL RING	5
2	CS192047	ELECTRODE (REPLACES CS177875)	10
3	CS177890	TIP	10
4	CS192048	EXTENDED ELECTRODE (REPLACES CS180340)	10
5	CS177876	EXTENDED TIP	10
6	CS177877	RETAINING CAP	1
7	CS192053	SHIELD (DRAG) (REPLACES CS177887)	2
8	CS180341	SHIELD (MACH)	2
9	CS177888	DEFLECTOR	5
N/S	CS51853	CIRCLE CUTTING ATTACHMENT	1
N/S	CS51809	CUTTING GUIDE	1

ICE 55C® / ICE 55CM®

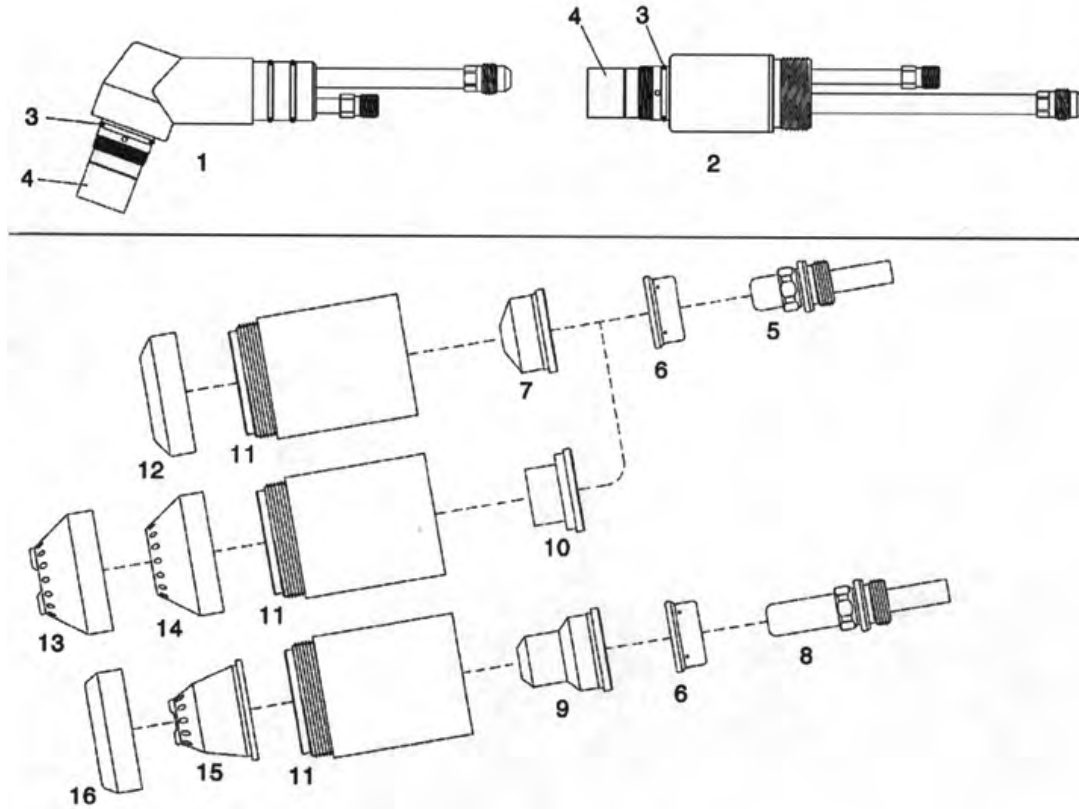


ITEM	CATALOG NUMBER	DESCRIPTION	STD. QTY
1	CS192049	SWIRL RING	5
2	CS192047	ELECTRODE (REPLACES CS177875)	10
3	CS192051	TIP STANDARD	10
4	CS192048	EXTENDED ELECTRODE (REPLACES CS180340)	10
5	CS192052	EXTENDED TIP 35A	10
6	CS192056	EXTENDED TIP 55A	10
6	CS192050	RETAINING CAP	1
7	CS192053	SHIELD (DRAG) (REPLACES CS177887)	2
8	CS180341	SHIELD (MACH)	2
9	CS177888	DEFLECTOR	5
N/S	CS51853	CIRCLE CUTTING ATTACHMENT	1
N/S	CS51809	CUTTING GUIDE	1

REPLACEMENT PARTS SUITABLE FOR:

MILLER®

ICE 25C® / ICE 27C®

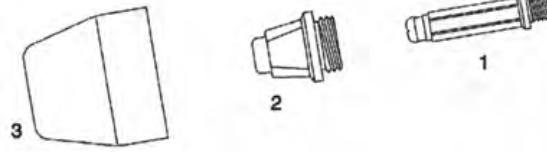


ITEM	CATALOG NUMBER	DESCRIPTION	STD. QTY
1	CS171257	70° TORCH HEAD W/HANDLE	1
N/S	CS07301	HAND SPARE HANDLE COMPLETE WITH MICROSWITCH	1
2	CS171245	180° TORCH HEAD	1
N/S	CS07415	MACHINE SPARE HANDLE	1
3	CS06000.60	O-RING	20
4	CS60090	FRONT INSULATOR	2
5	CS169217	ELECTRODE	10
6	CS169222	SWIRL RING	5
7	CS169220	TIP 80A .052	10
	CS169227	TIP 100A .059	10
8	CS173816	EXTENDED ELECTRODE	10
9	CS173814	EXTENDED TIP 80A .052	10
	CS173815	EXTENDED TIP 100A .059	10
10	CS169219	CONTAC TIP 80A .052	10
	CS169226	CONTAC TIP 100A .059	10
11	CS169223/F	CONTAC SHIELD CAP-FIBER GLASS	1
	CS169223	CONTAC SHIELD CAP-MAX. LIFE	1
12	CS169225	DEFLECTOR	5
13	CS169224	SHIELD CAP (HAND)	2
14	CS169230	SHIELD CAP (MACH)	2
15	CS51980/TD	EXTENDED SHIELD CAP (HAND)	2
16	CS51959/TD	LOCKING NUT	5
N/S	CS60369	EXTRACTOR FOR SWIRL RING	1
N/S	CS51852	CIRCLE CUTTING ATTACHMENT	1
N/S	CS51808	CUTTING GUIDE	1

REPLACEMENT PARTS SUITABLE FOR:

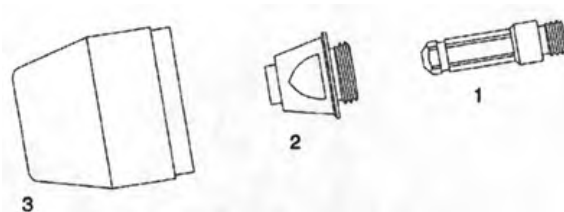
OTC®

M 3000®



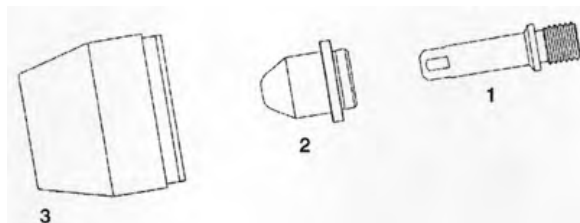
ITEM	CATALOG NUMBER	DESCRIPTION	STD. QTY
1	CSH705F05	ELECTRODE	10
2	CSH705F04	TIP	10
3	CSH705F03	SHIELD CUP	5

D-7000® A50/A70®



ITEM	CATALOG NUMBER	DESCRIPTION	STD. QTY
1	CSH669G11	ELECTRODE	10
2	CSH669G06	TIP S 50A	10
	CSH669G05	TIP H 70A	10
3	CSH669G04	SHIELD CUP D7000	5
	CS80058	SHIEL CUP A50/A70	5

D-8000®

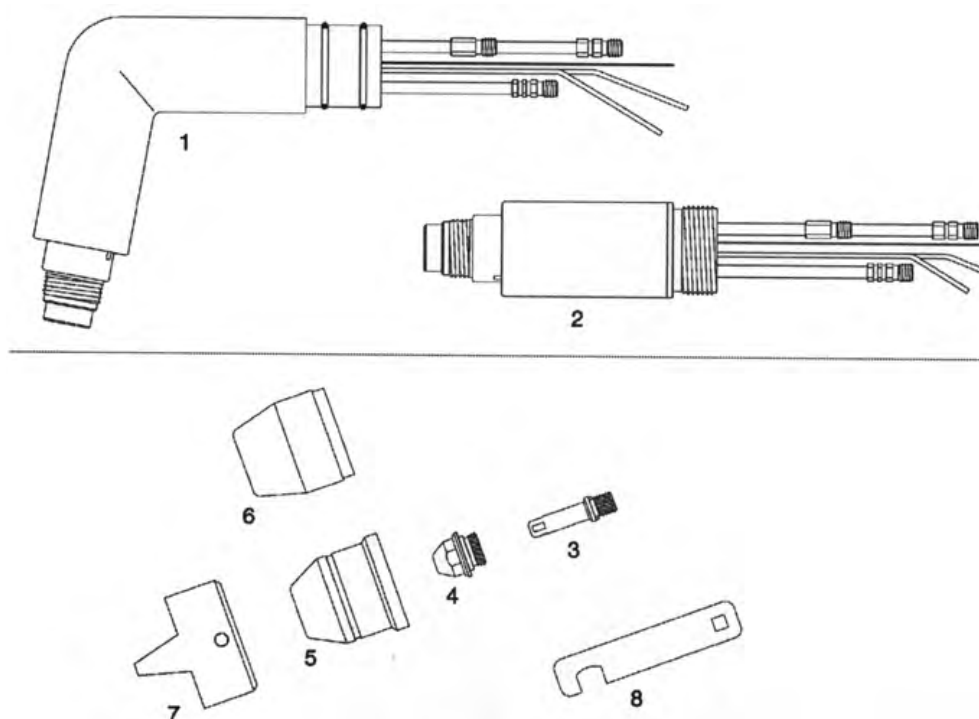


ITEM	CATALOG NUMBER	DESCRIPTION	STD. QTY
1	CSH839M00	ELECTRODE	10
	CSH839M00/T	ELECTRODE TEFLON COATED	10
2	CSH767F01	TIP	10
3	CSH767J00	SHIELD CUP	5

REPLACEMENT PARTS SUITABLE FOR:

OTC®

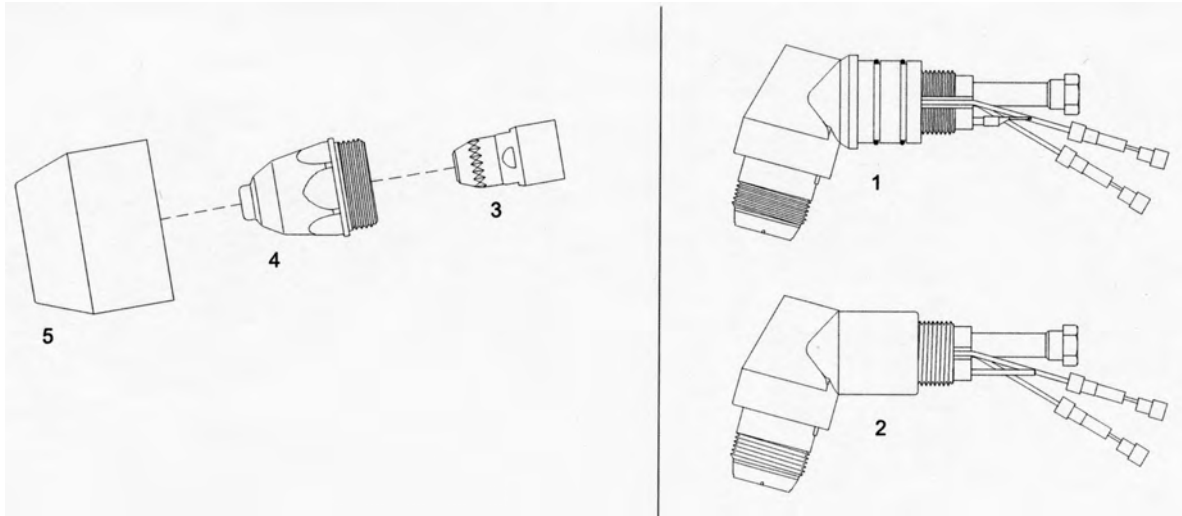
D 12000®



ITEM	CATALOG NUMBER	DESCRIPTION	STD. QTY
N/S	CS07820	HAND TORCH COMPLETE WITH 6 m CABLE	1
N/S	CS07830	HAND TORCH COMPLETE WITH 12 m CABLE	1
N/S	CS07840	MACHINE TORCH COMPLETE WITH 6 m CABLE	1
N/S	CS08730	MACHINE TORCH COMPLETE WITH 6 m SHIELD CABLE	1
N/S	CS07850	MACHINE TORCH COMPLETE WITH 12 m CABLE	1
N/S	CS08736	MACHINE TORCH COMPLETE WITH 12 m SHIELD CABLE	1
1	CS07801	70° TORCH HEAD W/HANDLE & SPARES	1
N/S	CS04280/C	HANDGRIP WITH MICROSWITCH	1
2	CS07811	180° TORCH HEAD W/HANDLE & SPARES	1
N/S	CS07415	MACHINE HANDLE	1
3	CSH839M00/T	ELECTRODE TEFLON COATED	10
4	CSH839K03	TIP 30A	10
	CSH839K02	TIP 50A	10
	CSH839K01	TIP 80A	10
	CSH839G03	TIP 120A	10
5	CSC80054	SHIELD CUP - CERAMIC	2
	CS60354	SHIELD CUP - TEFLON	2
6	CSH839G02	SHIELD CUP (GENUINE HEAD ONLY)	2
7	CS60374	DOUBLE POINTED SPACER	2
8	CS07800.57	WRENCH FOR TIP & ELECTRODE	5
N/S	CS07880	COMPLETE CABLE 6 m - HAND TORCH	1
N/S	CS07885	COMPLETE CABLE 12 m - HAND TORCH	1
N/S	CS07890	COMPLETE CABLE 6 m - MACHINE TORCH	1
N/S	CS08742	COMPLETE SHIELDED CABLE 6 m - MACHINE TORCH	1
N/S	CS07895	COMPLETE CABLE 12 m - MACHINE TORCH	1
N/S	CS08748	COMPLETE SHIELDED CABLE 12 m - MACHINE TORCH	1
N/S	CS51860	CIRCLE CUTTING ATTACHMENT	1
N/S	CS51816	CUTTING GUIDE	1

REPLACEMENT PARTS SUITABLE FOR:

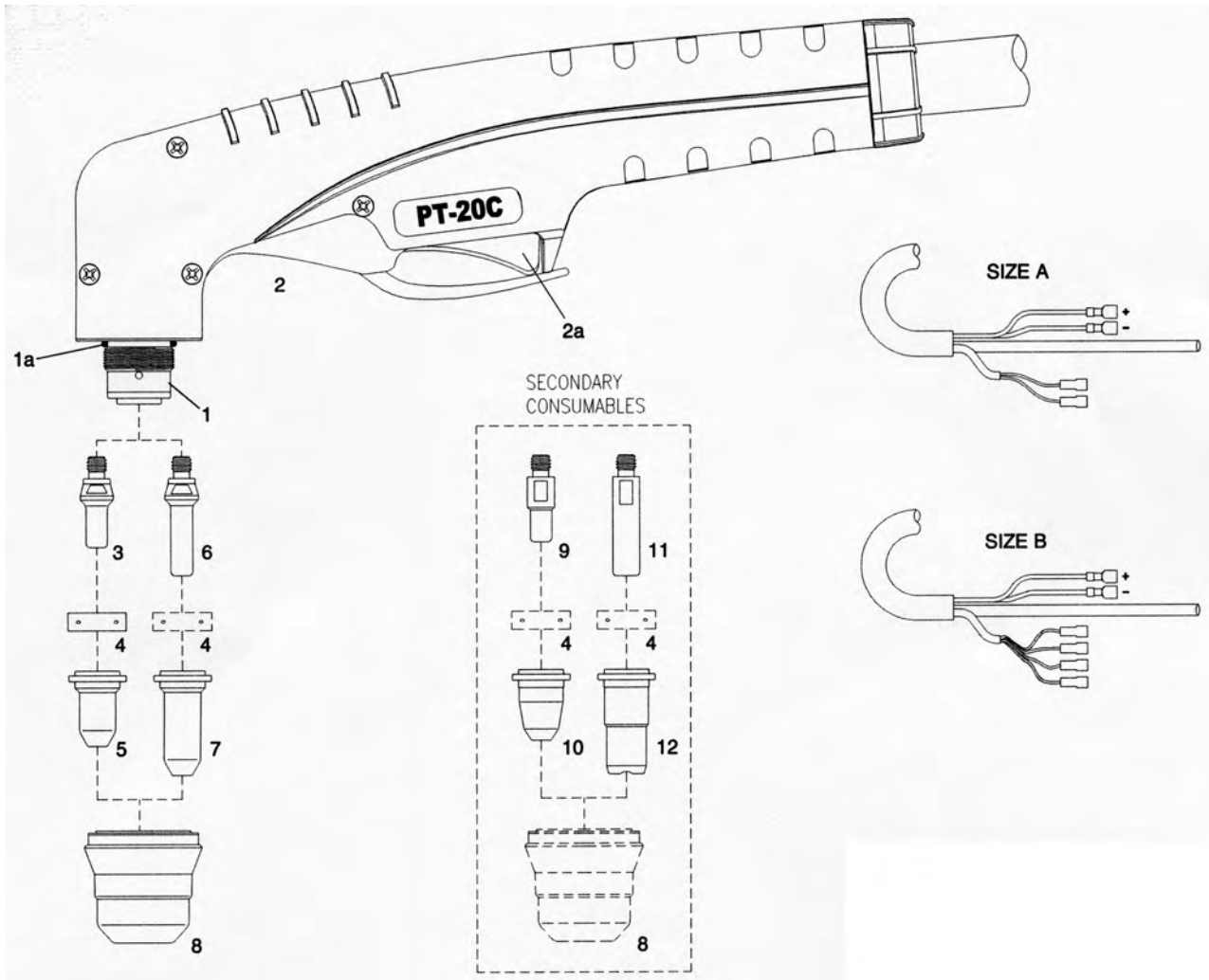
PANASONIC®



ITEM	CATALOG NUMBER	DESCRIPTION	STD. QTY
N/S	CS08020	HAND TORCH COMPLETE WITH 6 m CABLE (9/16" CONNECTION)	1
N/S	CS08021	HAND TORCH COMPLETE WITH 6 m CABLE (CENTRAL CONNECTOR)	1
N/S	CS08030	HAND TORCH COMPLETE WITH 12 m CABLE (9/16" CONNECTION)	1
N/S	CS08031	HAND TORCH COMPLETE WITH 12 m CABLE (CENTRAL CONNECTOR)	1
1	CS08010	70° TORCH HEAD WITH TANG Ø28	1
N/S	CS03280/C	HANDGRIP WITH MICROSWITCH	1
2	CSTKU08103	70° TORCH HEAD	1
3	CSTET02033	ELECTRODE	10
4	CS51280.10	TIP 1.0	10
	CSTET01035	TIP 1.3	10
	CSTET01507	TIP 1.5	10
5	CSTGN02004	SHIELD CUP	5
N/S	CS08080	AIR AND POWER CABLE 6 m HAND TORCH	1
N/S	CS08090	AIR AND POWER CABLE 12 m HAND TORCH	1

REPLACEMENT PARTS SUITABLE FOR:

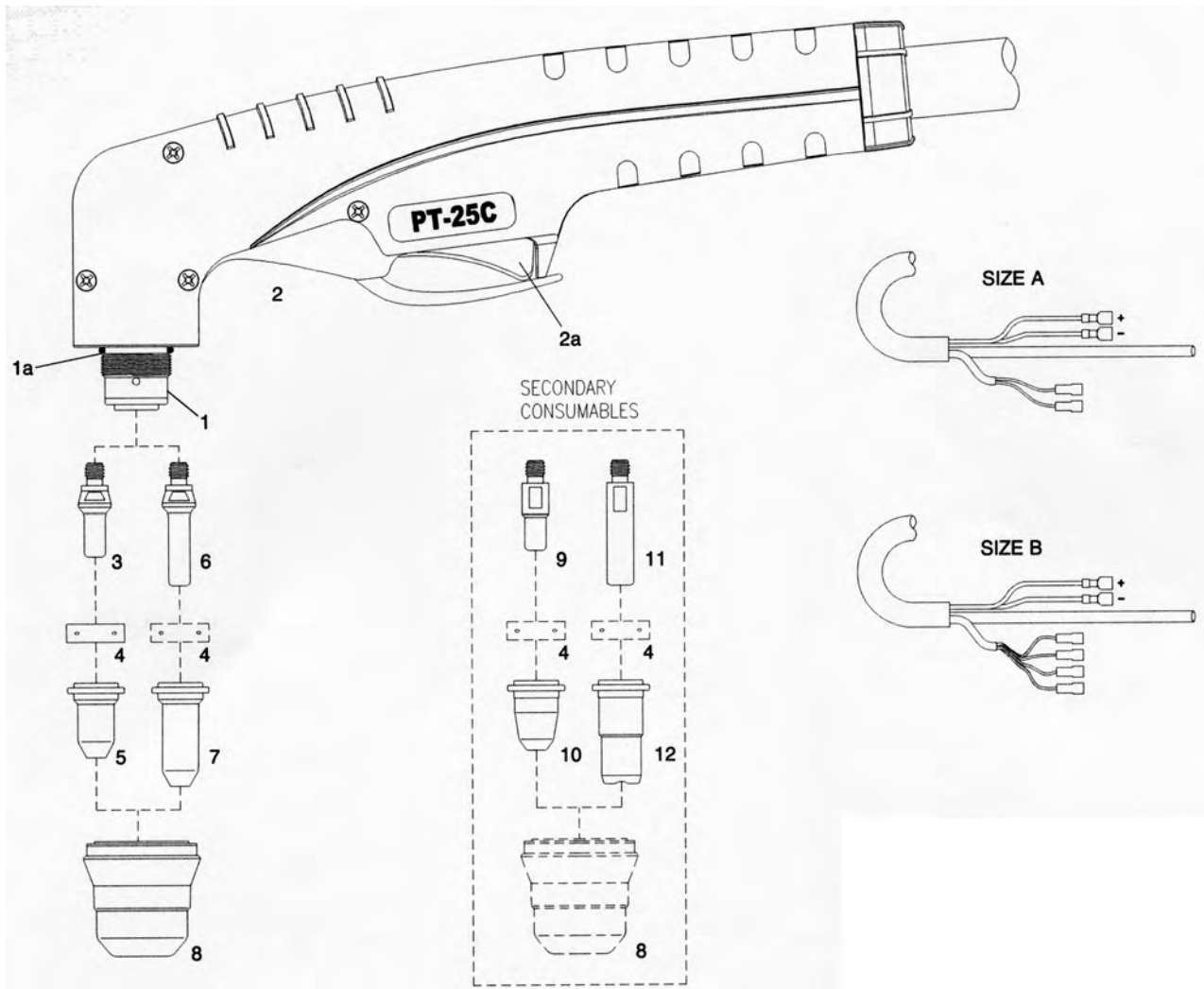
PT-20C®



ITEM	CATALOG NUMBER	DESCRIPTION	STD. QTY
1	CS09600	PT-20C 70° TORCH HEAD	
1a	CS51620.60	O-RING	
2	CS09605	HANDLE WITH SWITCH	
2a	CS07301.20	SWITCH	
3	CS52582	ELECTRODE BACK STRIKING	
4	CS60028	GAS DISTRIBUTOR	
5	CS51318.06	TIP CONTACT CUTTING Ø0.65 10-20A BACK STRIKING	
	CS51318.08	TIP CONTACT CUTTING Ø0.8 20-30A BACK STRIKING	
6	CS52583	EXTENDED ELECTRODE BACK STRIKING	
7	CS51318L.06	EXTENDED TIP CONTACT CUTTING Ø0.65 10-20A BACK STRIKING	
	CS51318L.08	EXTENDED TIP CONTACT CUTTING Ø0.8 20-30A BACK STRIKING	
8	CS60389K1	RETAINING CAP 1 HOLE	
	CS60389K	RETAINING CAP 2 HOLES	
N/S	CS60368	WRENCH FOR ELECTRODE	
A	CS09620CX	PT-20C 70° HAND TORCH 4 m (12.5 ft) LEADS COAXIAL CABLE	
	CS09680CX	PT-20C 70° LEAD ASSEMBLY 4 m (12.5 ft) LENGTH COAXIAL CABLE	
B	CS09622CX	PT-20C 70° HAND TORCH 4 m (12.5 ft) LEADS COAXIAL CABLE	
	CS09682CX	PT-20C 70° LEAD ASSEMBLY 4 m (12.5 ft) LENGTH COAXIAL CABLE	
9	CS52531	ELECTRODE	
10	CS51316.06	TIP CONTACT CUTTING Ø0.65 10-20A	
	CS51316	TIP CONTACT CUTTING Ø0.8 20-30A	
11	CS52532	EXTENDED ELECTRODE	
12	CS51317.06	EXTENDED TIP CONTACT CUTTING Ø0.65 10-20A	
N/S	CS51866	CIRCLE CUTTING ATTACHMENT	

REPLACEMENT PARTS SUITABLE FOR:

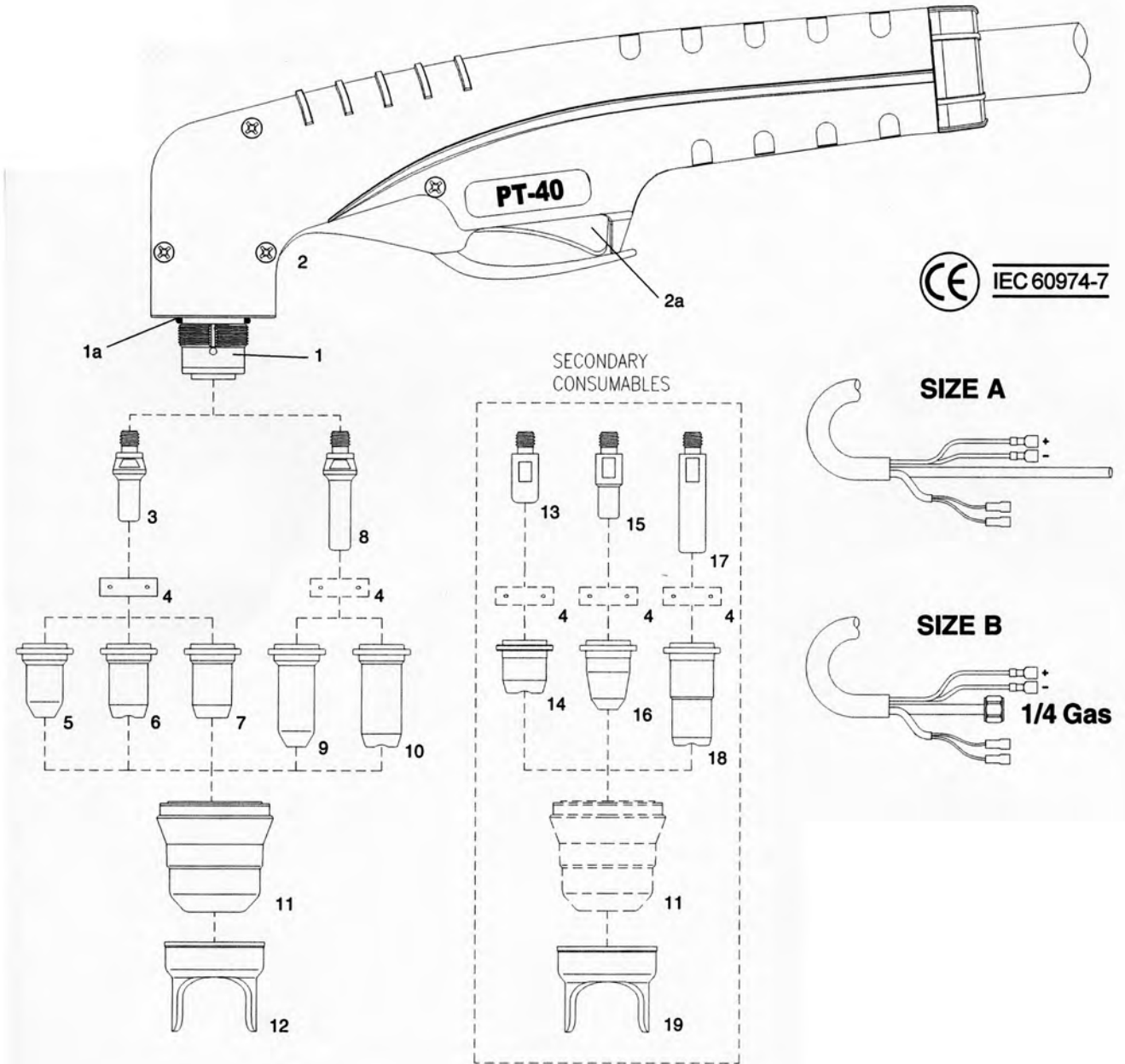
PT-25 C®



ITEM	CATALOG NUMBER	DESCRIPTION	STD. QTY
1	CS09601	PT-25C 70° TORCH HEAD	
1a	CS51620.60	O-RING	
2	CS09605	HANDLE WITH SWITCH	
2a	CS07301.20	SWITCH	
3	CS52582	ELECTRODE BACK STRIKING	
4	CS60028	GAS DISTRIBUTOR	
5	CS51318.06	TIP CONTAC CUTTING Ø0.65 10-20A BACK STRIKING	
	CS51318.08	TIP CONTAC CUTTING Ø0.8 20-30A BACK STRIKING	
6	CS52583	EXTENDED ELECTRODE BACK STRIKING	
7	CS51318L.06	EXTENDED TIP CONTAC CUTTING Ø0.65 10-20A BACK STRIKING	
	CS51318L.08	EXTENDED TIP CONTAC CUTTING Ø0.8 20-30A BACK STRIKING	
8	CS60389K1	RETAINING CAP 1 HOLE	
	CS60389K	RETAINING CAP 2 HOLES	
	CS60389K4	RETAINING CAP 4 HOLES	
N/S	CS60368	WRENCH FOR ELECTRODE	
A	CS09625CX	PT-25C 70° HAND TORCH 4 m (12.5 ft) LEADS COAXIAL CABLE	
	CS09680CX	PT-25C 70° LEAD ASSEMBLY 4 m (12.5 ft) LENGTH COAXIAL CABLE	
B	CS09627CX	PT-25C 70° HAND TORCH 4 m (12.5 ft) LEADS COAXIAL CABLE	
	CS09682CX	PT-25C 70° LEAD ASSEMBLY 4 m (12.5 ft) LENGTH COAXIAL CABLE	
9	CS52531	ELECTRODE	
10	CS51316.06	TIP CONTAC CUTTING Ø0.65 10-20A	
	CS51316	TIP CONTAC CUTTING Ø0.8 20-30A	
11	CS52532	EXTENDED ELECTRODE	
12	CS51317.06	EXTENDED TIP CONTAC CUTTING Ø0.65 10-20A	
N/S	CS51866	CIRCLE CUTTING ATTACHMENT	

REPLACEMENT PARTS SUITABLE FOR:

PT-40®



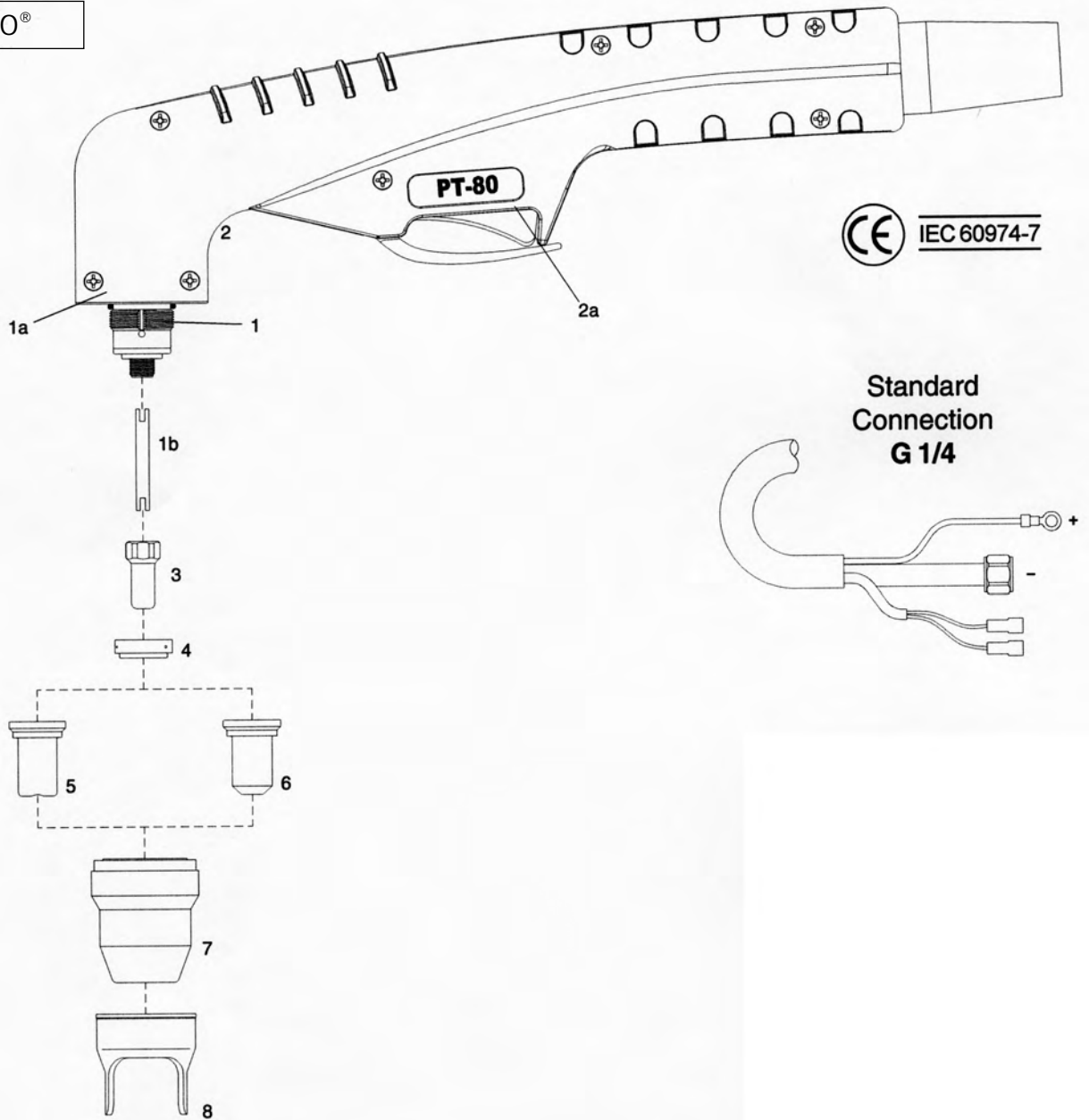
REPLACEMENT PARTS SUITABLE FOR:

PT-40®

ITEM	CATALOG NUMBER	DESCRIPTION	STD. QTY
1	CS09602	PT-40 70° TORCH HEAD	
1a	CS51620.60	O-RING	
2	CS09605	HANDLE WITH SWITCH	
2a	CS07301.20	SWITCH	
3	CS52482	ELECTRODE BACK STRIKING	
4	CS60028	GAS DISTRIBUTOR	
5	CS51318.06	TIP CONTACT CUTTING Ø0.65 10-20A BACK STRIKING	
	CS51318.08	TIP CONTACT CUTTING Ø0.8 20-30A BACK STRIKING	
	CS51308.09	TIP CONTACT CUTTING Ø0.9 30-40A BACK STRIKING	
6	CS51312P.09	TIP CONTACT CUTTING Ø0.9 30-40A BACK STRIKING	
7	CS51313P.09	FLAT TIP CUTTING Ø0.9 30-40A BACK STRIKING	
	CS51313.P10	FLAT TIP CUTTING Ø1.0 40-50A BACK STRIKING	
8	CS52583	EXTENDED ELECTRODE BACK STRIKING	
9	CS51318L.06	EXTENDED TIP CONTACT CUTTING Ø0.65 10-20A BACK STRIKING	
	CS51318L.08	EXTENDED TIP CONTACT CUTTING Ø0.8 20-30A BACK STRIKING	
10	CS51314.09	EXTENDED TIP CONTACT CUTTING Ø0.9 30-40A BACK STRIKING	
11	CS60389	RETAINING CAP 6 HOLES	
	CS60389S	RETAINING CAP 6 HOLES MAXIMUM LIFE	
12	CS60432	DOUBLE POINTED SPACERS (FOR USE WITH ITEM 5 AND 7 ONLY)	
N/S	CS60368	WRENCH FOR ELECTRODE	
A	CS09630CX	PT-40 70° HAND TORCH 4 m (12.5 ft) LEADS COAXIAL CABLE	
	CS09631CX	PT-40 70° HAND TORCH 6 m (20 ft) LEADS COAXIAL CABLE	
	CS09685CX	PT-40 70° LEAD ASSEMBLY 4 m (12.5 ft) LENGTH COAXIAL CABLE	
	CS09686CX	PT-40 70° LEAD ASSEMBLY 6 m (20 ft) LENGTH COAXIAL CABLE	
B	CS09632CX	PT-40 70° HAND TORCH 4 m (12.5 ft) LEADS COAXIAL CABLE	
	CS09633CX	PT-40 70° HAND TORCH 6 m (20 ft) LEADS COAXIAL CABLE	
	CS09687CX	PT-40 70° LEAD ASSEMBLY 4 m (12.5 ft) LENGTH COAXIAL CABLE	
	CS09688CX	PT-40 70° LEAD ASSEMBLY 6 m (20 ft) LENGTH COAXIAL CABLE	
13	CS52536	ELECTRODE	
14	CS51315.09	TIP CONTACT CUTTING Ø0.9 30-40A	
15	CS52531	ELECTRODE	
16	CS51316.06	TIP CONTACT CUTTING Ø0.65 10-20A	
	CS51316	TIP CONTACT CUTTING Ø0.8 20-30A	
	CS51316.09	TIP CONTACT CUTTING Ø0.9 30-40A	
17	CS52532	EXTENDED ELECTRODE	
18	CS51317.09	EXTENDED TIP CONTACT CUTTING Ø0.9 30-40A	
19	CS60431	DOUBLE POINTED SPACERS (FOR USE WITH ITEM 16 ONLY)	
N/S	CS51866	CIRCLE CUTTING ATTACHMENT	

REPLACEMENT PARTS SUITABLE FOR:

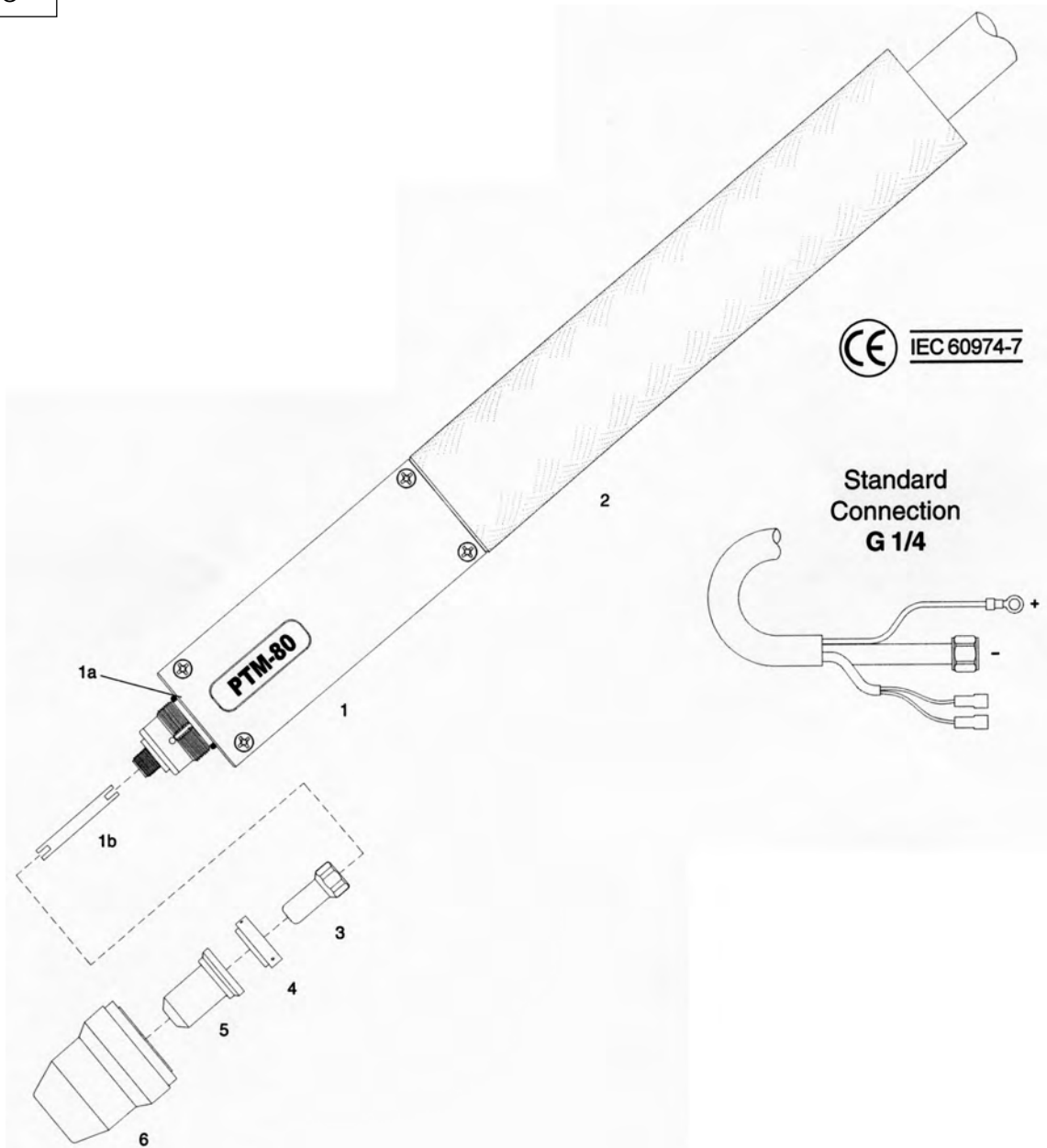
PT-80®



ITEM	CATALOG NUMBER	DESCRIPTION	STD. QTY
1	CS09800	PT-80 70° TORCH HEAD	
1a	CS51620.60	O-RING	
1b	CS09800.42	COOLING TUBE	
2	CS09705	HANDLE WITH SWITCH	
2a	CS07301.20	SWITCH	
3	CS52558	ELECTRODE BACK STRIKING	
4	CS60027	GAS DISTRIBUTOR	
5	CS51310.09	TIP CONTACT CUTTING Ø0.9 30-40A BACK STRIKING	
6	CS51311.10	TIP CUTTING Ø1.0 40-50A BACK STRIKING	
	CS51311.11	TIP CUTTING Ø1.1 50-60A BACK STRIKING	
	CS51311.12	TIP CUTTING Ø1.2 60-70A BACK STRIKING	
	CS51311.13	TIP CUTTING Ø1.3 70-80A BACK STRIKING	
7	CS60510	RETAINING CAP	
8	CS60434	DOUBLE POINTED SPACER (FOR USE WITH ITEM 6 ONLY)	
N/S	CS60368	WRENCH FOR ELECTRODE	
	CS09820CX	PT-80 70° HAND TORCH 6 m (20 ft) LEADS COAXIAL CABLE	
	CS09825CX	PT-80 70° HAND TORCH 12 m (40 ft) LEADS COAXIAL CABLE	
	CS09780CX	PT-80 70° LEAD ASSEMBLY 6 m (20 ft) LENGTH COAXIAL CABLE	
	CS09785CX	PT-80 70° LEAD ASSEMBLY 12 m (40 ft) LENGTH COAXIAL CABLE	
N/S	51853	CIRCLE CUTTING ATTACHMENT	

REPLACEMENT PARTS SUITABLE FOR:

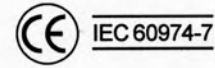
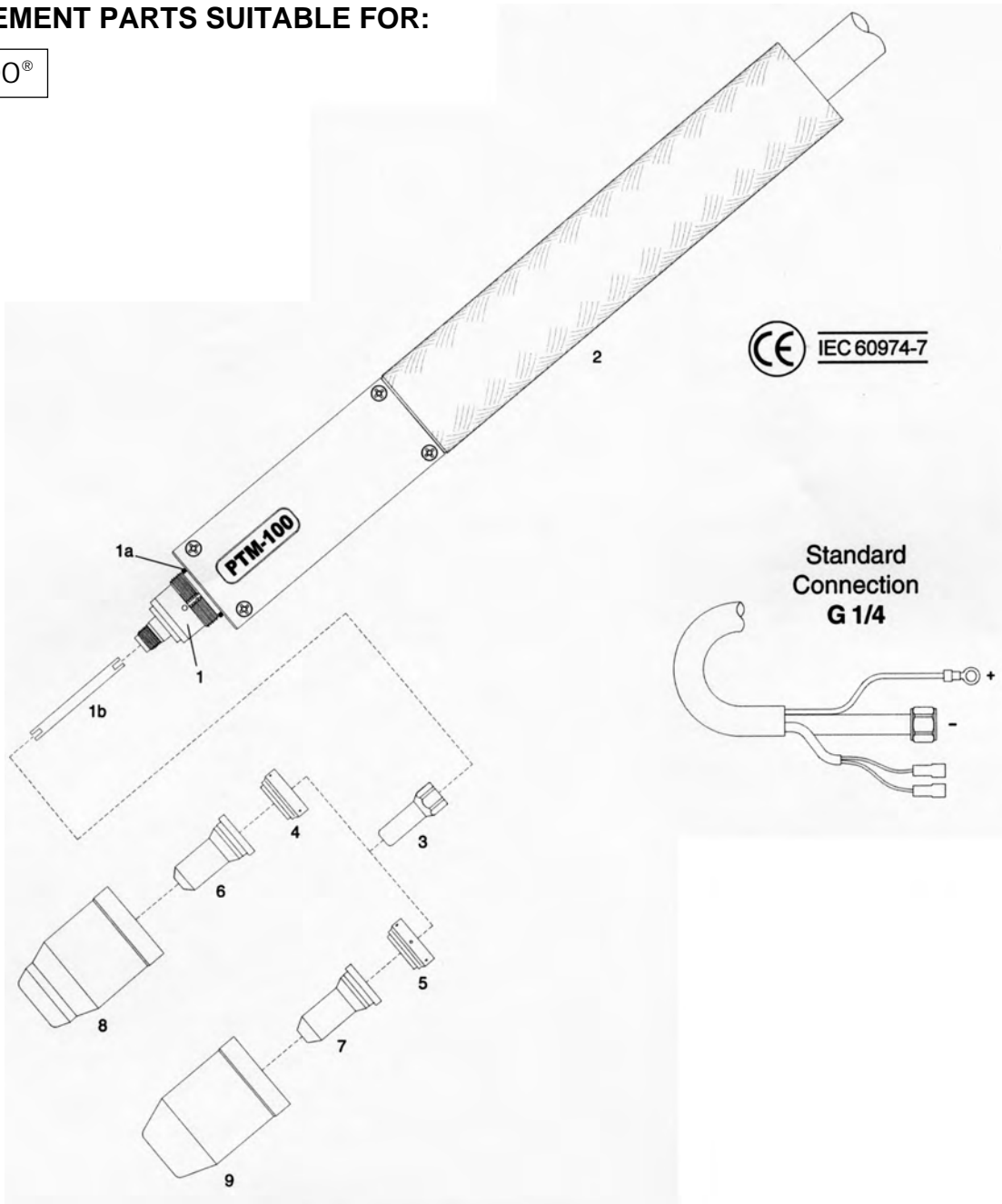
PTM-80®



ITEM	CATALOG NUMBER	DESCRIPTION	STD. QTY
1	CS09810	PTM-80 180° TORCH HEAD	
1a	CS51620.60	O-RING	
1b	CS09800.42	COOLING TUBE	
2	CS07218	FIBERGLASS POSITIONING TUBE	
3	CS52558	ELECTRODE BACK STRIKING	
4	CS60027	GAS DISTRIBUTOR	
5	CS51311.10	TIP CUTTING Ø1.0 40-50A BACK STRIKING	
	CS51311.11	TIP CUTTING Ø1.1 50-60A BACK STRIKING	
	CS51311.12	TIP CUTTING Ø1.2 60-70A BACK STRIKING	
	CS51311.13	TIP CUTTING Ø1.3 70-80A BACK STRIKING	
6	CS60510	RETAINING CAP	
N/S	CS60368	WRENCH FOR ELECTRODE	
	CS09830CX	PTM-80 180° MACHINE TORCH 6 m (20 ft) LEADS COAXIAL CABLE	
	CS09835CX	PTM-80 180° MACHINE TORCH 12 m (40 ft) LEADS COAXIAL CABLE	
	CS09790CX	PTM-80 180° LEAD ASSEMBLY 6 m (20 ft) LENGTH COAXIAL CABLE	
	CS09795CX	PTM-80 180° LEAD ASSEMBLY 12 m (40 ft) LENGTH COAXIAL CABLE	

REPLACEMENT PARTS SUITABLE FOR:

PTM-100®



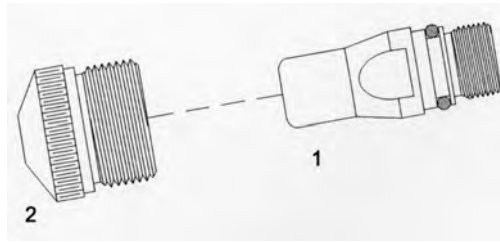
Standard Connection G 1/4

ITEM	CATALOG NUMBER	DESCRIPTION	STD. QTY
1	CS09710	PTM-100 180° TORCH HEAD	
1a	CS51190.41	O-RING	
1b	CS09700.48	COOLING TUBE	
2	CS07218	FIBERGLASS POSITIONING TUBE	
3	CS52556	ELECTRODE BACK STRIKING	
4	CS60025	GAS DISTRIBUTOR 30-70A	
5	CS60026	GAS DISTRIBUTOR 80-120A	
6	CS51246.10	TIP CUTTING Ø1.0 40-50A BACK STRIKING	
	CS51246.11	TIP CUTTING Ø1.1 50-60A BACK STRIKING	
	CS51246.12	TIP CUTTING Ø1.2 60-70A BACK STRIKING	
7	CS51248.14	TIP CUTTING Ø1.4 80-90A BACK STRIKING	
	CS51248.15	TIP CUTTING Ø1.5 100-110A BACK STRIKING	
	CS51248.16	TIP CUTTING Ø1.6 110-120A BACK STRIKING	
8	CS60500	RETAINING CAP 30-70A	
9	CS60501	RETAINING CAP 80-120A	
N/S	CS60368	WRENCH FOR ELECTRODE	
	CS09730CX	PTM-100 180° MACHINE TORCH 6 m (20 ft) LEADS COAXIAL CABLE	
	CS09735CX	PTM-100 180° MACHINE TORCH 12 m (40 ft) LEADS COAXIAL CABLE	
	CS09790CX	PTM-100 180° LEAD ASSEMBLY 6 m (20 ft) LENGTH COAXIAL CABLE	
	CS09795CX	PTM-100 180° LEAD ASSEMBLY 12 m (40 ft) LENGTH COAXIAL CABLE	

REPLACEMENT PARTS SUITABLE FOR:

SAF®

CPM 15®

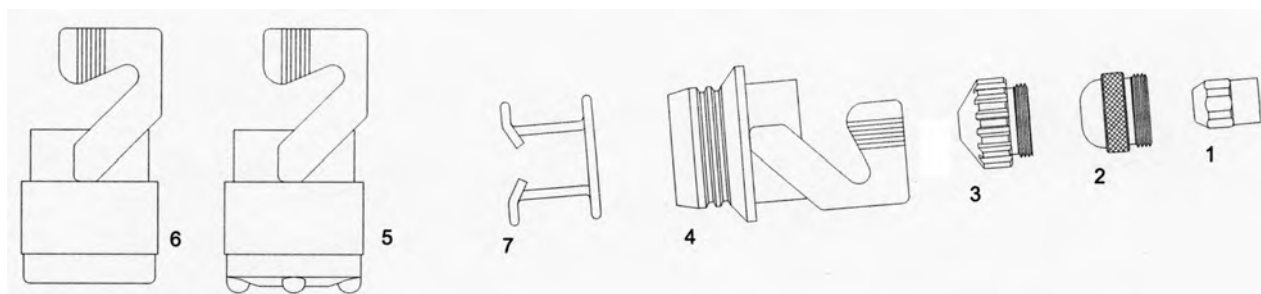


ITEM	CATALOG NUMBER	DESCRIPTION	STD. QTY
1	CS409-1204	ELECTRODE HF	5
2	CS409-1210	TIP 40A	5
	CS409-1212	TIP 60A	5
	CS409-1216	TIP 100A	5
	CS409-1218	TIP 150A	5

REPLACEMENT PARTS SUITABLE FOR:

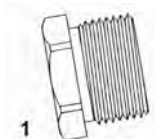
SAF®

CP 40 R® / CP 100 R®



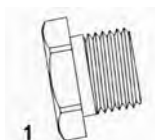
ITEM	CATALOG NUMBER	DESCRIPTION	STD. QTY
1	CS0408-2051	ELECTRODE Zr	10
	CS0408-2404	ELECTRODE Hf	10
2	CS0408-2052	TIP 20/40	10
3	CS0408-2261	TIP 1.0	10
	CS0408-2262	TIP 1.2	10
	CS0408-2385	TIP 1.6	10
4	CS0408-2267	PROTECTION NOZZLE GUIDE	2
6	CS0408-2405	CERAMIC ASSEMBLY W/BOSSES	2
	CS0408-2268	CERAMIC GUIDE	2
7	CS7430149	SPACER SPRING	10
N/S	CS51858	CIRCLE CUTTING ATTACHMENT	1
N/S	CS51814	CUTTING GUIDE	1

P 30D®



ITEM	CATALOG NUMBER	DESCRIPTION	STD. QTY
1	CS2593861	TIP 1.5	10
	CS2593853	TIP 1.8	10
	CS2593846	TIP 2.0	10
	CS2593838	TIP 2.5	10
	CS2593820	TIP 3.0	10

CP 200®

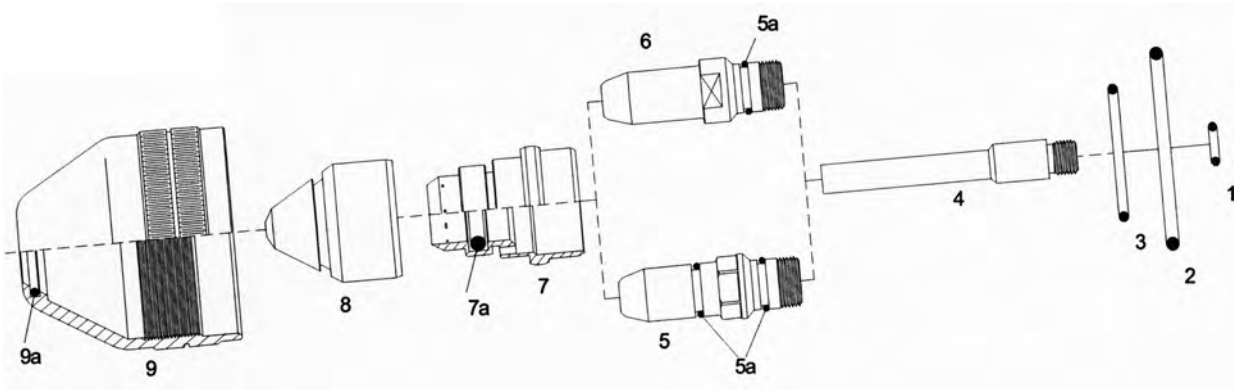


ITEM	CATALOG NUMBER	DESCRIPTION	STD. QTY
1	CS2596252	TIP 1.5	10
	CS2596260	TIP 1.8	10
	CS2596278	TIP 2.0	10
	CS2596286	TIP 2.5	10
	CS51610.30	TIP 3.0	10

REPLACEMENT PARTS SUITABLE FOR:

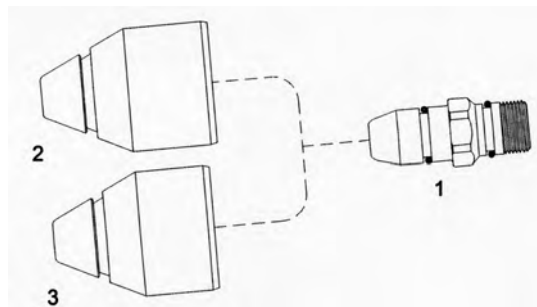
SAF®

OCP 150®



ITEM	CATALOG NUMBER	DESCRIPTION	STD. QTY
1	CS0408-1238	O-RING	20
2	CS0408-1282	O-RING	20
3	CS0408-1284	O-RING	20
4	CS0408-2154	DIFFUSOR	2
5	CS0408-2184	ELECTRODE	5
5a	CS0408-1283	O-RING	20
6	CS0408-2185	ELECTRODE-HX5-Hf	5
7	CS0408-2170	SWIRL RING 60A	2
	CS0408-2169	SWIRL RING 120A	2
7a	CS0408-2168	O-RING	20
8	CS0408-2171	TIP 15A	5
	CS0408-2173	TIP 30A	5
	CS0408-2174	TIP 40A	5
	CS0408-2176	TIP 60A	5
	CS0408-2183	TIP 90A	5
	CS0408-2186	TIP 120A	5
9	CS0408-2166	RETAINING CAP	1
9a	CS0408-2167	O-RING	10

CPM 200® CPM 300® CPM 720®



ITEM	CATALOG NUMBER	DESCRIPTION	STD. QTY
1	CS0408-1482	ELECTRODE-Hf	5
2	CS0408-2073	TIP 90A	5
	CS0409-2076	TIP 120A	5
	CS0409-1278	TIP 150A	5
	CS0409-1279	TIP 180A	5
	CS0409-1280	TIP 240A	5
3	CS0409-1350	TIP 320A	5
	CS0409-1351	TIP 500A	5
	CS0409-1352	TIP 640A	5

REPLACEMENT PARTS SUITABLE FOR:

SMITH®



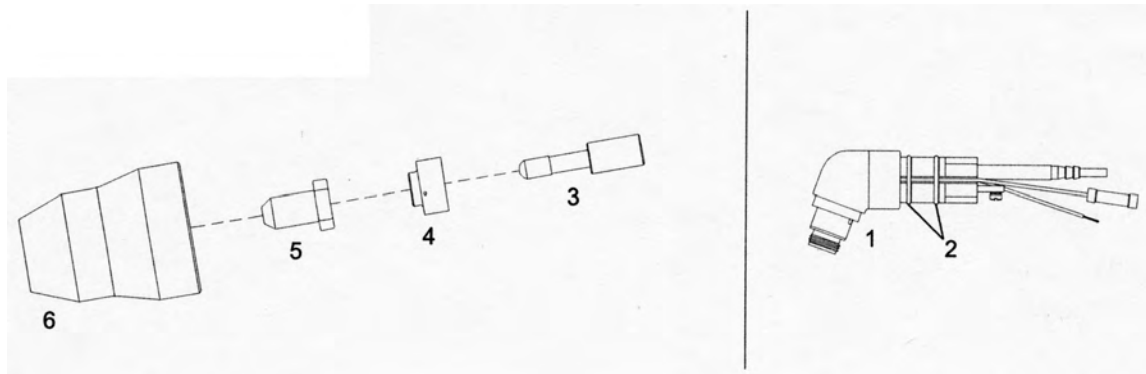
ITEM	CATALOG NUMBER	DESCRIPTION	STD. QTY
1	CS30808-5	ELECTRODE	10
2	CS30812-5	TIP 1.0	10
	CS30813-5	TIP 1.2	10
	CS30814-5	TIP 1.4	10
	CS30815-5	TIP 1.6	10
	CS30344-5	TIP 1.8	10

REPLACEMENT PARTS SUITABLE FOR:

THERMAL DYNAMICS®

PCH-10®

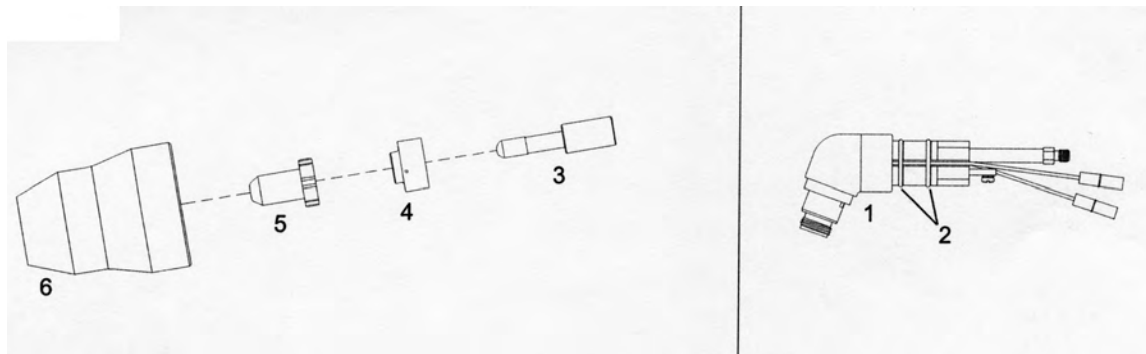
Drag-Gun, Cougar 125



ITEM	CATALOG NUMBER	DESCRIPTION	STD. QTY
N/S	CS21020E	HAND TORCH COMPLETE WITH 20' (6 m) CABLE	1
N/S	CS90019E	HANDGRIP COMPLETE WITH MICROSWITCH	1
1	CS90016	70° TORCH HEAD	1
2	CS80533	O-RING	20
3	CS96006	ELECTRODE	10
4	CS96007	GAS DISTRIBUTOR	5
5	CS96099	TIP-AIR	10
6	CS96003	SHIELD CUP	2
N/S	CS51846	CIRCLE CUTTING ATTACHMENT	1
N/S	CS51803	CUTTING GUIDE	1

PCH-25®

Drag-Gun, Cougar 125



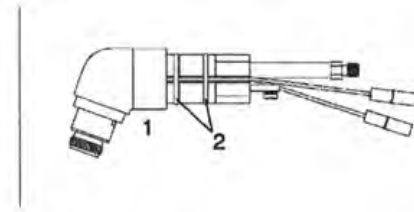
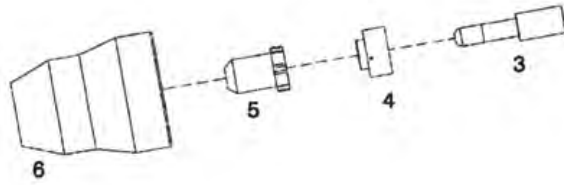
ITEM	CATALOG NUMBER	DESCRIPTION	STD. QTY
N/S	CS20250E	HAND TORCH COMPLETE WITH 12.5' (3.8 m) CABLE	1
N/S	CS20251E	HAND TORCH COMPLETE WITH 25' (7.5 m) CABLE	1
N/S	CS96282E	HANDGRIP COMPLETE WITH MICROSWITCH	1
1	CS95807	70° TORCH HEAD	1
2	CS80533	O-RING	20
3	CS96006	ELECTRODE	10
4	CS96007	GAS DISTRIBUTOR	5
5	CS94476	TIP-AIR	10
6	CS96003	SHIELD CUP	2
N/S	CS46067E	AIR AND POWER CABLE 12.5' (3.8 m)	1
N/S	CS46068E	AIR AND POWER CABLE 25' (7.5 m)	1
N/S	CS51846	CIRCLE CUTTING ATTACHMENT	1
N/S	CS51803	CUTTING GUIDE	1

REPLACEMENT PARTS SUITABLE FOR:

THERMAL DYNAMICS®

PCH-25/38

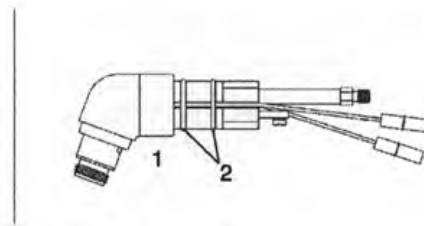
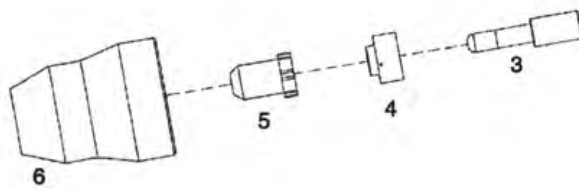
Pak Master 38 XL, Drag-Gun 38



ITEM	CATALOG NUMBER	DESCRIPTION	STD. QTY
N/S	CS20380E	HAND TORCH COMPLETE WITH 12.5' (3.8 m) CABLE	1
N/S	CS20381E	HAND TORCH COMPLETE WITH 25' (7.5 m) CABLE	1
N/S	CS96282E	HANDGRIP COMPLETE WITH MICROSWITCH	1
1	CS95807	70° TORCH HEAD	1
2	CS80533	O-RING	20
3	CS96506	ELECTRODE	10
4	CS96507	GAS DISTRIBUTOR	5
5	CS96501	TIP-AIR	10
6	CS96003	SHIELD CUP	2
N/S	CS46067E	AIR AND POWER CABLE 12.5' (3.8 m)	1
N/S	CS46068E	AIR AND POWER CABLE 25' (7.5 m)	1
N/S	CS51846	CIRCLE CUTTING ATTACHMENT	1
N/S	CS51803	CUTTING GUIDE	1

PCH-26

EconoPak 50



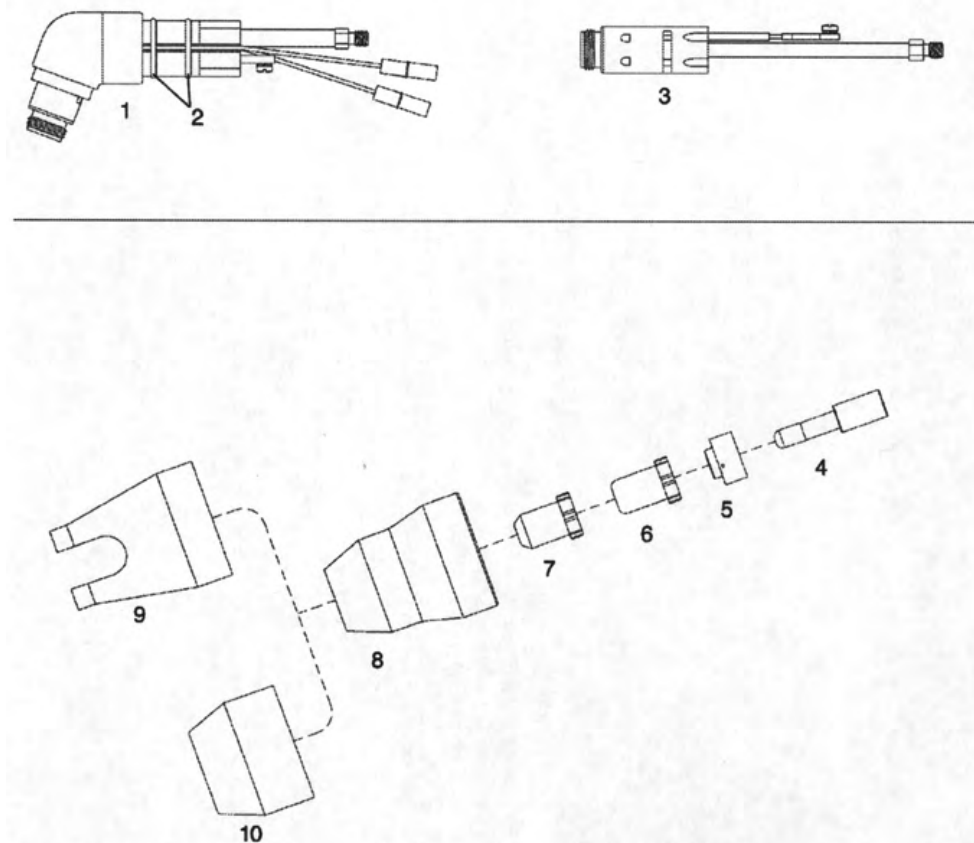
ITEM	CATALOG NUMBER	DESCRIPTION	STD. QTY
N/S	CS23501E	HAND TORCH COMPLETE WITH 12.5' (3.8 m) CABLE	1
N/S	CS23511E	HAND TORCH COMPLETE WITH 25' (7.5 m) CABLE	1
N/S	CS96282E	HANDGRIP COMPLETE WITH MICROSWITCH	1
1	CS95807	70° TORCH HEAD	1
2	CS80533	O-RING	20
3	CS96506	ELECTRODE	10
4	CS96507	GAS DISTRIBUTOR	5
5	CS96501	TIP-AIR	10
6	CS96003	SHIELD CUP	2
N/S	CS46071E	AIR AND POWER CABLE 12.5' (3.8 m)	1
N/S	CS46072E	AIR AND POWER CABLE 25' (7.5 m)	1
N/S	CS51846	CIRCLE CUTTING ATTACHMENT	1
N/S	CS51803	CUTTING GUIDE	1

REPLACEMENT PARTS SUITABLE FOR:

THERMAL DYNAMICS®

PCH/M-28

Pak Master 50 XL



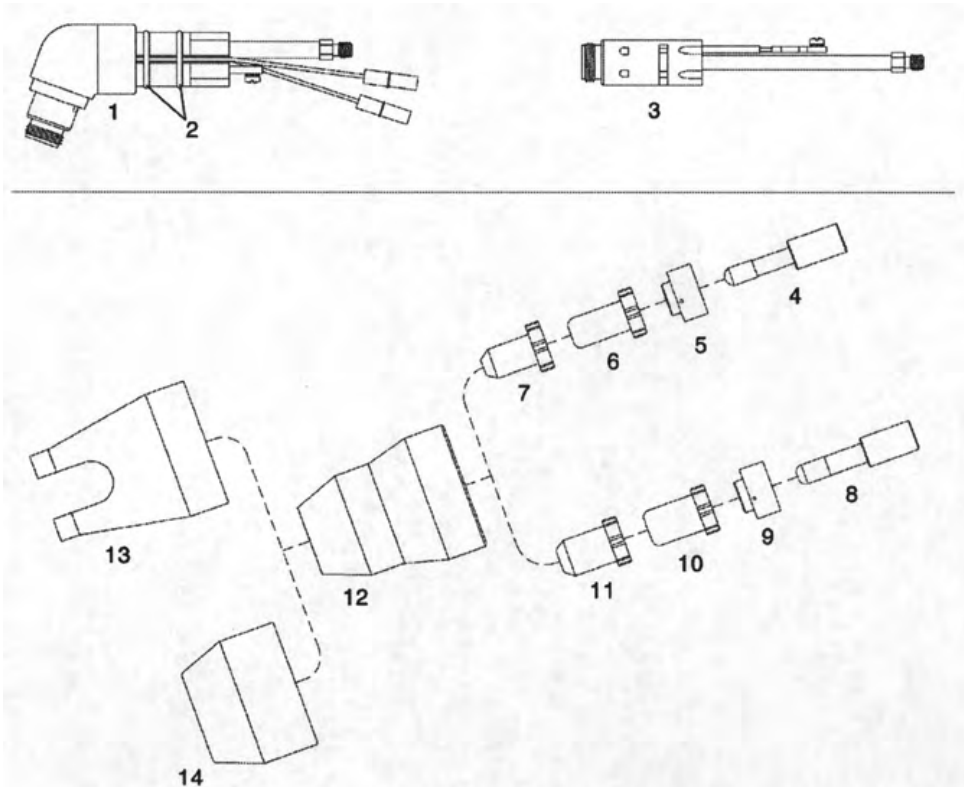
ITEM	CATALOG NUMBER	DESCRIPTION	STD. QTY
N/S	CS25801E	HAND TORCH COMPLETE WITH 25' (7.5 m) CABLE	1
N/S	CS25802E	HAND TORCH COMPLETE WITH 50' (15 m) CABLE	1
N/S	CS96291E	HANDGRIP COMPLETE WITH MICROSWITCH	1
1	CS95807	70° TORCH HEAD	1
2	CS80533	O-RING	20
3	CS95809	180° TORCH HEAD	1
N/S	CS96261	180° TORCH SHELL	1
N/S	CS94531	PIP WIRE ASSEMBLY	1
4	CS96506	ELECTRODE	10
5	CS96507	GAS DISTRIBUTOR	5
6	CS96500	TIP-STANDOFF	10
7	CS96501	TIP (DRAG)	10
8	CS96003	SHIELD CUP-STD	2
9	CS96004	SHIELD CUP-CROWN (REQUIRES CS96003)	2
10	CS96503	SHIELD CUP-MAX.LIFE (REQUIRES CS96003)	2
N/S	CS42995E	AIR AND POWER CABLE 25' (7.5 m)-HAND TORCH	1
N/S	CS42996E	AIR AND POWER CABLE 50' (15 m)-HAND TORCH	1
N/S	CS51846	CIRCLE CUTTING ATTACHMENT	1
N/S	CS51803	CUTTING GUIDE	1

REPLACEMENT PARTS SUITABLE FOR:

THERMAL DYNAMICS®

PCH/M-35

Pak Master 50, Stack Pak



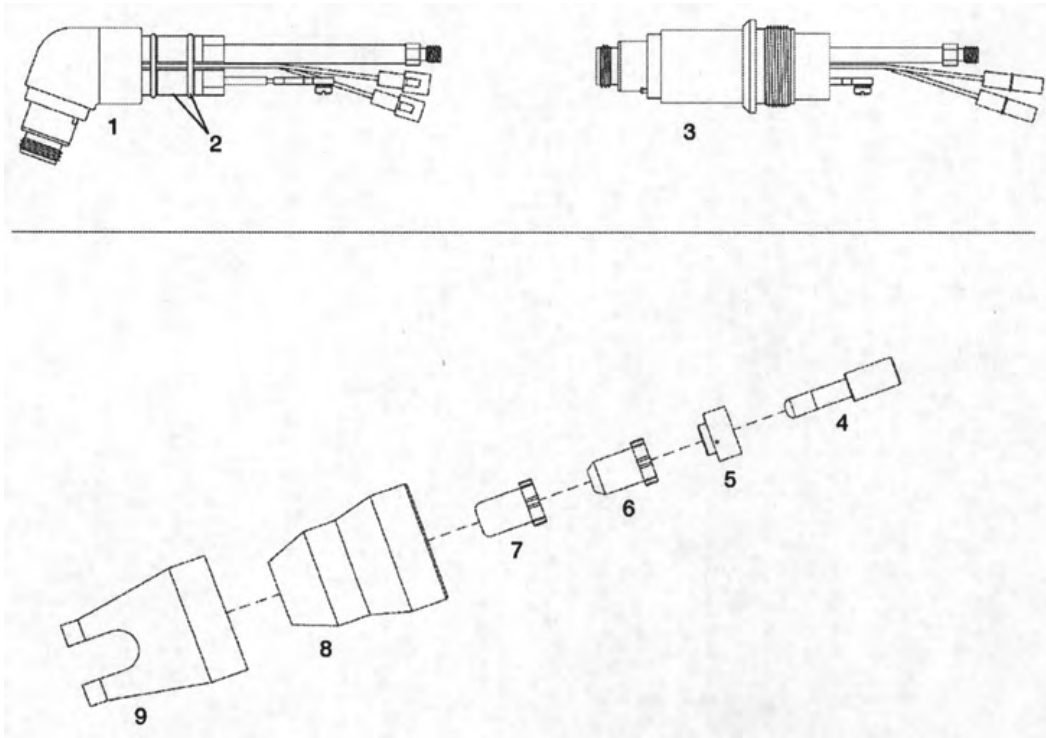
ITEM	CATALOG NUMBER	DESCRIPTION	STD. QTY
1	CS95807	70° TORCH HEAD	1
2	CS80533	O-RING	20
N/S	CS84305E	HANDGRIP COMPLETE WITH MICROSWITCH	1
3	CS95809	180° TORCH HEAD	1
N/S	CS96261	180° TORCH SHELL	1
N/S	CS94531	PIP WIRE ASSEMBLY	1
4	CS96006	ELECTRODE	10
5	CS96007	GAS DISTRIBUTOR	5
6	CS96000	TIP 35A AIR	10
	CS96002	TIP GOUGING - GROOVE AIR	10
7	CS96001	TIP DRAG CUT AIR	10
8	CS96506	ELECTRODE	10
9	CS96507	GAS DISTRIBUTOR	5
10	CS96500	TIP STANDOFF	10
11	CS96501	TIP (DRAG)	10
	CS96502	TIP GOUGING	10
12	CS96003	SHIEL CUP STD	2
13	CS96004	SHIEL CUP CROWN (REQUIRES CS96003)	2
14	CS96503	SHIELD CUP MAX. LIFE (REQUIRES CS96003)	2
N/S	CS51846	CIRCLE CUTTING ATTACHMENT	1
N/S	CS51803	CUTTING GUIDE	1

REPLACEMENT PARTS SUITABLE FOR:

THERMAL DYNAMICS®

PCH/M-40

Pak Master 50 XL Plus



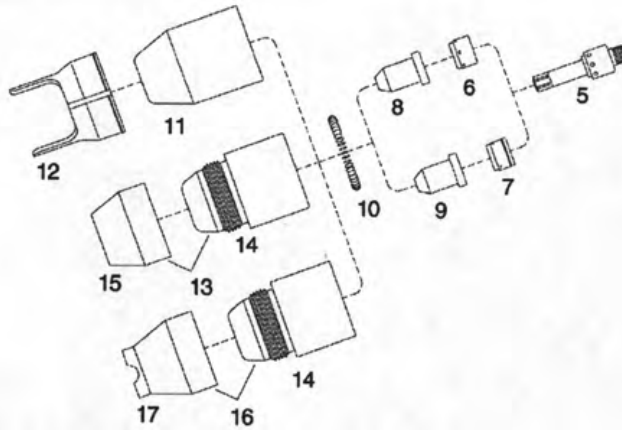
ITEM	CATALOG NUMBER	DESCRIPTION	STD. QTY
N/S	CS25035E	HAND TORCH COMPLETE WITH 25' (7.5 m) CABLE	1
N/S	CS25036E	HAND TORCH COMPLETE WITH 50' (15 m) CABLE	1
N/S	CS25039E	MACHINE TORCH COMPLETE WITH 25' (7.5 m) CABLE	1
N/S	CS25040E	MACHINE TORCH COMPLETE WITH 50' (15 m) CABLE	1
1	CS98055	70° TORCH HEAD	1
2	CS80533	O-RING	20
N/S	CS98059E	HANDGRIP COMPLETE WITH MICROSWITCH	1
3	CS98053	180° TORCH HEAD	1
N/S	CS97833	MACHINE HANDLE	1
4	CS96506	ELECTRODE	10
5	CS96507	GAS DISTRIBUTOR	5
6	CS96501	TIP (DRAG)	10
7	CS96500	TIP-STANDOFF	10
	CS96502	TIP-GOUGING	10
8	CS96003	SHIELD CUP-STD	2
9	CS96004	SHIELD CUP CROWN (REQUIRES CS96003)	2
N/S	CS40815	AIR AND POWER CABLE 25' (7.5 m)-HAND TORCH	1
N/S	CS40816	AIR AND POWER CABLE 50' (15 m)-HAND TORCH	1
N/S	CS42897	AIR AND POWER CABLE 25' (7.5 m)-MACHINE TORCH	1
N/S	CS42898	AIR AND POWER CABLE 50' (15 m)-MACHINE TORCH	1
N/S	CS51846	CIRCLE CUTTING ATTACHMENT	1
N/S	CS51803	CUTTING GUIDE	1

REPLACEMENT PARTS SUITABLE FOR:

THERMAL DYNAMICS®

PCH/M-60

Pak Master 75 XL Plus



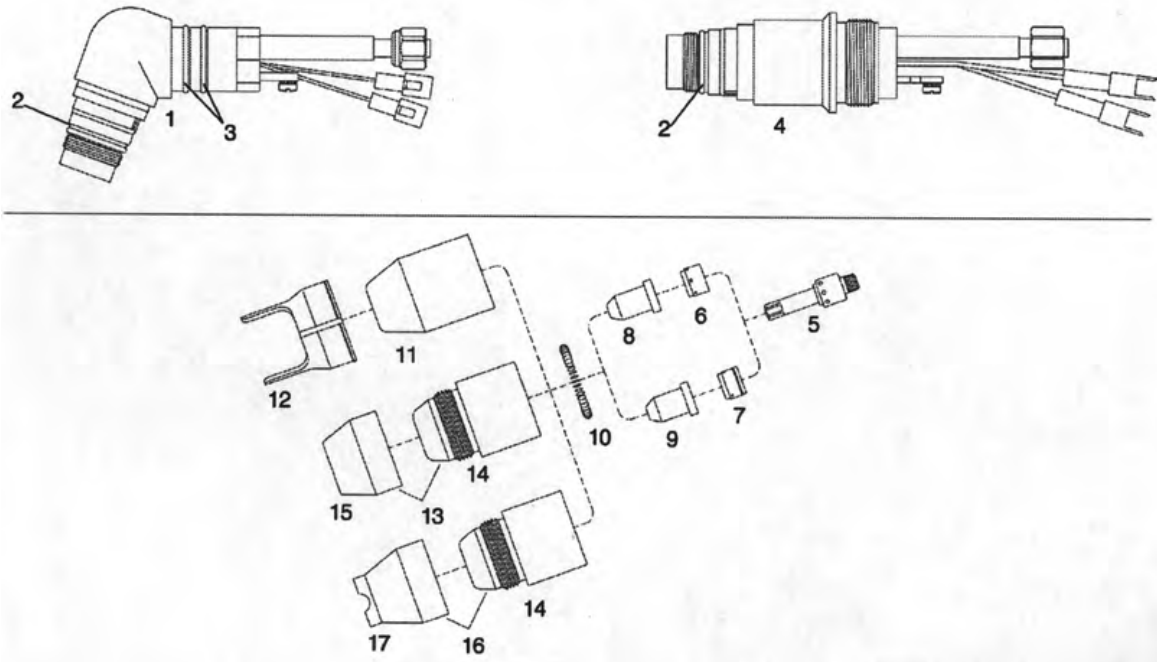
ITEM	CATALOG NUMBER	DESCRIPTION	STD. QTY
N/S	CS26660E	HAND TORCH COMPLETE WITH 25' (7.5 m) CABLE	1
N/S	CS26661E	HAND TORCH COMPLETE WITH 50' (15 m) CABLE	1
N/S	CS26664E	MACHINE TORCH COMPLETE WITH 25' (7.5 m) CABLE	1
N/S	CS26665E	MACHINE TORCH COMPLETE WITH 50' (15 m) CABLE	1
1	CS98075	70° TORCH HEAD	1
2	CS80533	O-RING (HANDLE)	20
3	CS80532	O-RING (SHIELD CUP)	20
N/S	CS98066E	HANDGRIP COMPLETE WITH MICROSWITCH	1
4	CS98073	180° TORCH HEAD	1
N/S	CS98066E	MACHINE HANDLE	1
5	CS87502	ELECTRODE-HF	10
6	CS87501	GAS DISTRIBUTOR-CUTTING	5
7	CS87508	GAS DISTRIBUTOR-GOUGING	5
8	CS87503	TIP CUTTING 35A (DRAG)	10
	CS97726	TIP CUTTING 60A AIR/N ₂	10
9	CS87506	TIP GOUGING	10
10	CS97501E	CANTED COIL SPRING	10
11	CS87500	SHIELD CUP-STD	2
12	CS87575	DOUBLE POINTED SPACER	2
13	CS87496	SHIELD CUP-MAXIMUN LIFE	2
14	CS87498	SHIELD CUP BODY	2
15	CS87497	SHIELD-MAXIMUN LIFE	2
16	CS87507	SHIELD CUP-CROWN	2
17	CS87499	SHIELD-CROWN	2
N/S	CS40819	AIR AND POWER CABLE 25' (7.5 m)-HAND TORCH	1
N/S	CS40820	AIR AND POWER CABLE 50' (15 m)-HAND TORCH	1
N/S	CS47502	AIR AND POWER CABLE 25' (7.5 m)-MACHINE TORCH	1
N/S	CS47502	AIR AND POWER CABLE 50' (15 m)-MACHINE TORCH	1
N/S	CS51846	CIRCLE CUTTING ATTACHMENT	1
N/S	CS51803	CUTTING GUIDE	1

REPLACEMENT PARTS SUITABLE FOR:

THERMAL DYNAMICS®

PCH/M-80

Pak Master 100 XL Plus



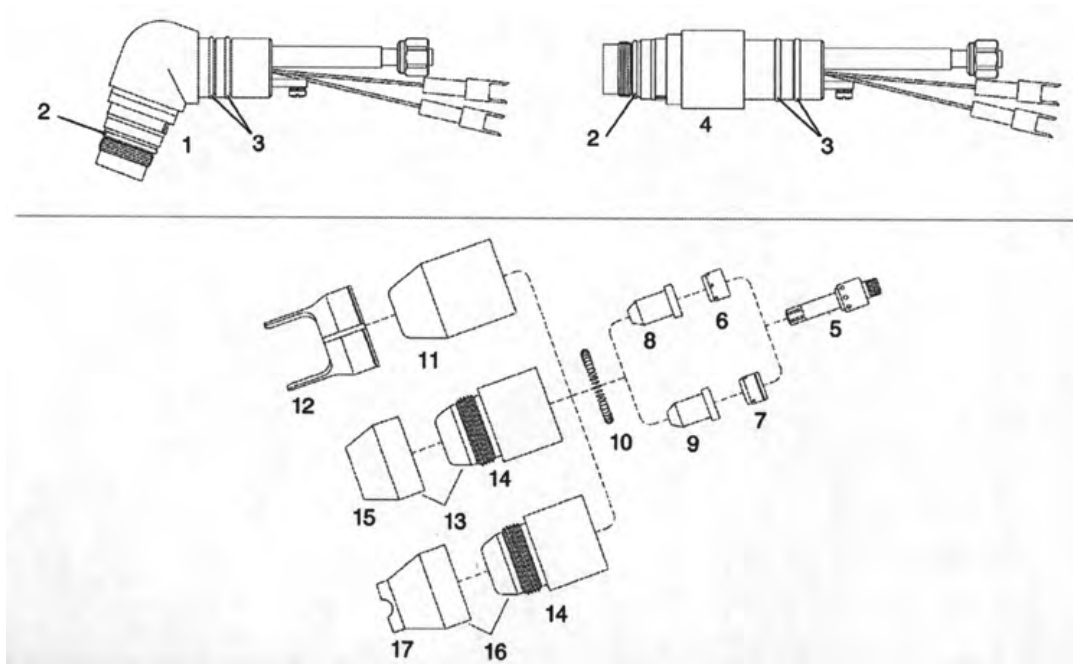
ITEM	CATALOG NUMBER	DESCRIPTION	STD. QTY
N/S	CS20080E	HAND TORCH COMPLETE WITH 25' (7.5 m) CABLE	1
N/S	CS20081E	HAND TORCH COMPLETE WITH 50' (15 m) CABLE	1
N/S	CS20084E	MACHINE TORCH COMPLETE WITH 25' (7.5 m) CABLE	1
N/S	CS20085E	MACHINE TORCH COMPLETE WITH 50' (15 m) CABLE	1
1	CS98075	70° TORCH HEAD	1
2	CS80532	O-RING (SHIELD CUP)	20
3	CS80533	O-RING (HANDLE)	20
N/S	CS98066E	HANDGRIP COMPLETE WITH MICROSWITCH	1
4	CS98063	180° TORCH HEAD	1
N/S	CS97833	MACHINE HANDLE	1
5	CS87502	ELECTRODE AIR/N ₂	10
6	CS87501	GAS DISTRIBUTOR-CUTTING	5
7	CS87508	GAS DISTRIBUTOR-GOUGING	5
8	CS87503	TIP CUTTING 35A (DRAG)	10
	CS87504	TIP CUTTING 55A AIR/N ₂	10
	CS97728	TIP CUTTING 80A AIR/N ₂	10
9	CS87506	TIP-GOUGING	10
10	CS97501E	CANTED COIL SPRING	10
11	CS87500	SHIELD CUP-STD	2
12	CS87575	DOUBLE POINTED SPACER	2
13	CS87496	SHIELD CUP-MAXIMUN LIFE	2
14	CS87498	SHIELD CUP BODY	2
15	CS87497	SHIELD-MAXIMUN LIFE	2
16	CS87507	SHIELD CUP-CROWN	2
17	CS87499	SHIELD-CROWN	2
N/S	CS40823	AIR AND POWER CABLE 25' (7.5 m)-HAND TORCH	1
N/S	CS40824	AIR AND POWER CABLE 50' (15 m)-HAND TORCH	1
N/S	CS40012	AIR AND POWER CABLE 25' (7.5 m)-MACHINE TORCH	1
N/S	CS40013	AIR AND POWER CABLE 50' (15 m)-MACHINE TORCH	1
N/S	CS51846	CIRCLE CUTTING ATTACHMENT	1
N/S	CS51803	CUTTING GUIDE	1

REPLACEMENT PARTS SUITABLE FOR:

THERMAL DYNAMICS®

PCH/M-75

Pak Master 75, Pak Master 75XL, 625XR, Cut Master 80 XL



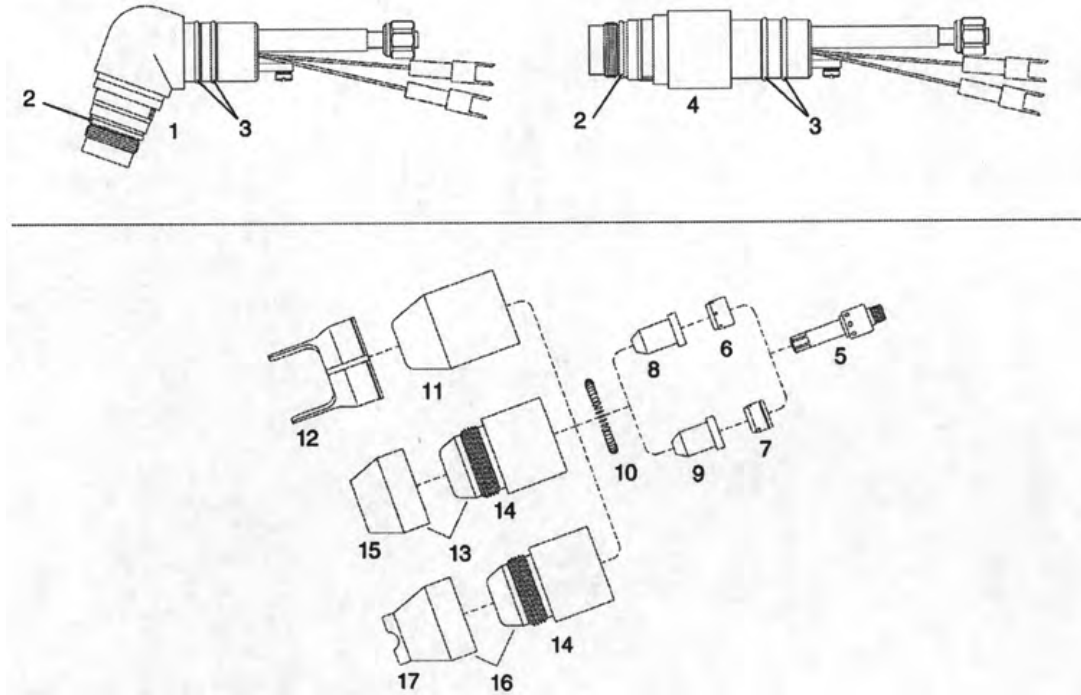
ITEM	CATALOG NUMBER	DESCRIPTION	STD. QTY
N/S	CS27801E	HAND TORCH COMPLETE WITH 25' (7.5 m) CABLE	1
N/S	CS27802E	HAND TORCH COMPLETE WITH 50' (15 m) CABLE	1
N/S	CS27805E	MACHINE TORCH COMPLETE WITH 25' (7.5 m) CABLE	1
N/S	CS27806E	MACHINE TORCH COMPLETE WITH 50' (15 m) CABLE	1
1	CS87510	70° TORCH HEAD	1
2	CS80532	O-RING (SHIELD CUP)	20
3	CS80533	O-RING (HANDLE)	20
N/S	CS95636E	HANDGRIP COMPLETE WITH MICROSWITCH (INCLUDES CS95636, CS97502, CS81322)	1
4	CS87512	180° TORCH HEAD	1
N/S	CS95637E	MACHINE HANDLE	1
N/S	CS84018	NUT	1
N/S	CS95637	ADAPTOR	1
N/S	CS85005	POSITIONING TUBE	1
N/S	CS84207	END CAP	1
5	CS87502	ELECTRODE	10
6	CS87501	GAS DISTRIBUTOR-CUTTING	5
7	CS87508	GAS DISTRIBUTOR-GOUGING	5
8	CS87503	TIP CUTTING 35A (DRAG)	10
	CS87504	TIP CUTTING 55A AIR/N ₂	10
9	CS87506	TIP-GOUGING	10
10	CS97501E	CANTED COIL SPRING	10
11	CS87500	SHIELD CUP-STD	2
12	CS87575	DOUBLE POINTED SPACER	2
13	CS87496	SHIELD CUP-MAXIMUN LIFE	2
14	CS87498	SHIELD CUP BODY	2
15	CS87497	SHIELD-MAXIMUN LIFE	2
16	CS87507	SHIELD CUP-CROWN	2
17	CS87499	SHIELD-CROWN	2
N/S	CS47801	AIR AND POWER CABLE 25' (7.5 m)-HAND TORCH	1
N/S	CS47802	AIR AND POWER CABLE 50' (15 m)-HAND TORCH	1
N/S	CS47803	AIR AND POWER CABLE 25' (7.5 m)-MACHINE TORCH	1
N/S	CS47804	AIR AND POWER CABLE 50' (15 m)-MACHINE TORCH	1
N/S	CS51846	CIRCLE CUTTING ATTACHMENT	1
N/S	CS51803	CUTTING GUIDE	1

REPLACEMENT PARTS SUITABLE FOR:

THERMAL DYNAMICS®

PCH/M-76

Econopak 100

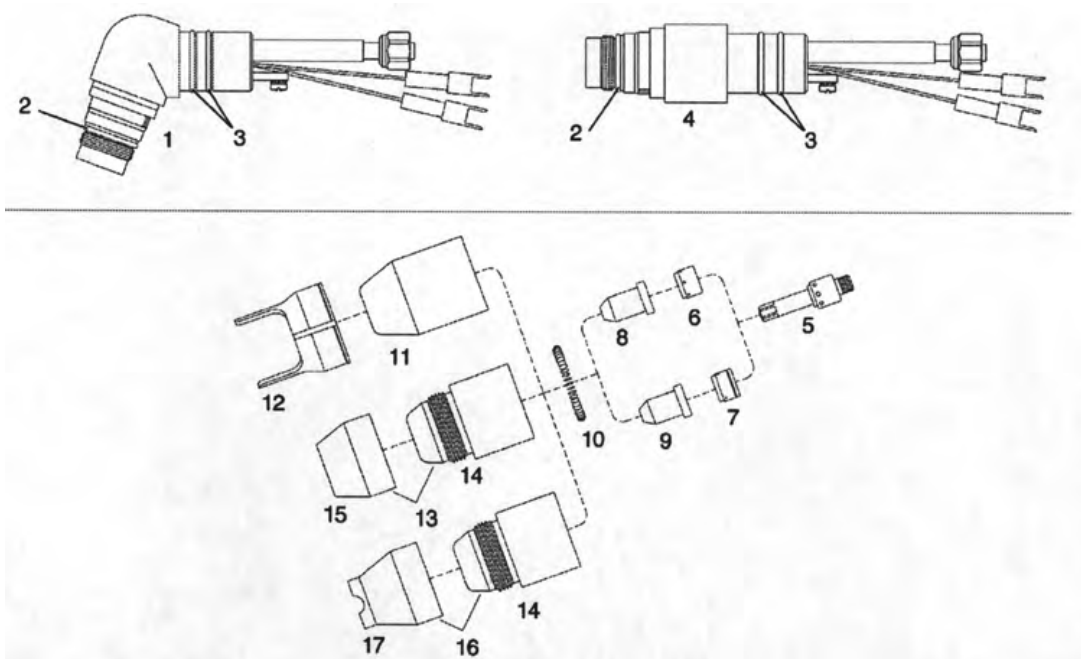


ITEM	CATALOG NUMBER	DESCRIPTION	STD. QTY
N/S	CS27811E	HAND TORCH COMPLETE WITH 25' (7.5 m) CABLE	1
N/S	CS27812E	HAND TORCH COMPLETE WITH 50' (15 m) CABLE	1
1	CS87510	70° TORCH HEAD	1
2	CS80532	O-RING (SHIELD CUP)	20
3	CS80533	O-RING (HANDLE)	20
N/S	CS95636E	HANDGRIP COMPLETE WITH MICROSWITCH (INCLUDES CS95636, CS97502, CS81322)	1
4	CS87512	180° TORCH HEAD	1
5	CS87502	ELECTRODE	10
6	CS87501	GAS DISTRIBUTOR-CUTTING	5
7	CS87508	GAS DISTRIBUTOR-GOUGING	5
8	CS87503	TIP CUTTING 35A (DRAG)	10
	CS87505	TIP CUTTING 60A	10
9	CS87506	TIP-GOUGING	10
10	CS97501E	CANTED COIL SPRING	10
11	CS87500	SHIELD CUP-STD	2
12	CS87575	DOUBLE POINTED SPACER	2
13	CS87496	SHIELD CUP-MAXIMUN LIFE	2
14	CS87498	SHIELD CUP BODY	2
15	CS87497	SHIELD-MAXIMUN LIFE	2
16	CS87507	SHIELD CUP-CROWN	2
17	CS87499	SHIELD-CROWN	2
N/S	CS47611	AIR AND POWER CABLE 25' (7.5 m)-HAND TORCH	1
N/S	CS47612	AIR AND POWER CABLE 50' (15 m)-HAND TORCH	1
N/S	CS51846	CIRCLE CUTTING ATTACHMENT	1
N/S	CS51803	CUTTING GUIDE	1

REPLACEMENT PARTS SUITABLE FOR:

THERMAL DYNAMICS®

PCH/M-100XL Pak Master 100XL



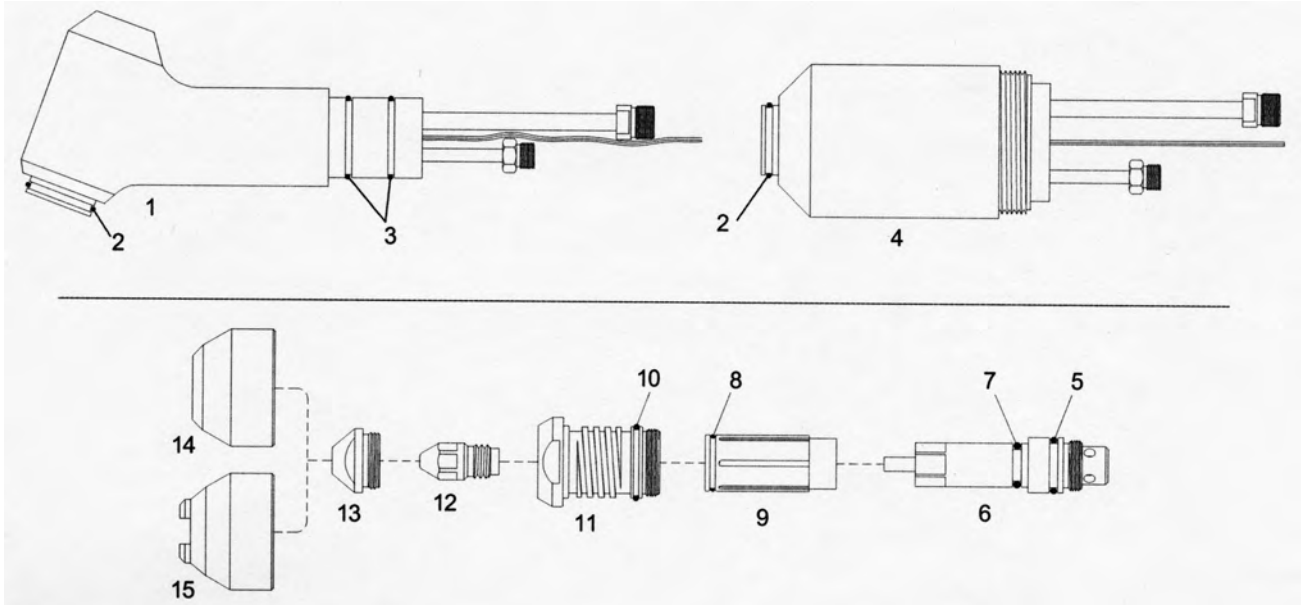
ITEM	CATALOG NUMBER	DESCRIPTION	STD. QTY
N/S	CS20801E	HAND TORCH COMPLETE WITH 25' (7.5 m) CABLE	1
N/S	CS20802E	HAND TORCH COMPLETE WITH 50' (15 m) CABLE	1
N/S	CS20805E	MACHINE TORCH COMPLETE WITH 25' (7.5 m) CABLE	1
N/S	CS20806E	MACHINE TORCH COMPLETE WITH 50' (15 m) CABLE	1
1	CS87510	70° TORCH HEAD	1
2	CS80532	O-RING (SHIELD CUP)	20
3	CS80533	O-RING (HANDLE)	20
N/S	CS95636E	HANDGRIP COMPLETE WITH MICROSWITCH (INCLUDES CS95636, CS97502, CS81322)	1
4	CS87512	180° TORCH HEAD	1
N/S	CS95637E	MACHINE HANDLE	1
N/S	CS84018	NUT	1
N/S	CS95637	ADAPTOR	1
N/S	CS85005	POSITIONING TUBE	1
N/S	CS84204	END CAP	1
5	CS87502	ELECTRODE	10
6	CS87501	GAS DISTRIBUTOR-CUTTING	5
7	CS87508	GAS DISTRIBUTOR-GOUGING	5
8	CS87503	TIP CUTTING 35A (DRAG)	10
	CS87504	TIP CUTTING 55A	10
	CS87506	TIP CUTTING 70A	10
9	CS97501E	TIP-GOUGING	10
10	CS87500	CANTED COIL SPRING	10
11	CS87575	SHIELD CUP-STD	2
12	CS87496	DOUBLE POINTED SPACER	2
13	CS87498	SHIELD CUP-MAXIMUN LIFE	2
14	CS87497	SHIELD CUP BODY	2
15	CS87507	SHIELD-MAXIMUN LIFE	2
16	CS87499	SHIELD CUP-CROWN	2
17	CS47801	SHIELD-CROWN	2
N/S	CS40810	AIR AND POWER CABLE 25' (7.5 m)-HAND TORCH	1
N/S	CS40811	AIR AND POWER CABLE 50' (15 m)-HAND TORCH	1
N/S	CS40812	AIR AND POWER CABLE 25' (7.5 m)-MACHINE TORCH	1
N/S	CS40813	AIR AND POWER CABLE 50' (15 m)-MACHINE TORCH	1
N/S	CS51846	CIRCLE CUTTING ATTACHMENT	1
N/S	CS51803	CUTTING GUIDE	1

REPLACEMENT PARTS SUITABLE FOR:

THERMAL DYNAMICS®

PCH/M-100

Pak 10XR



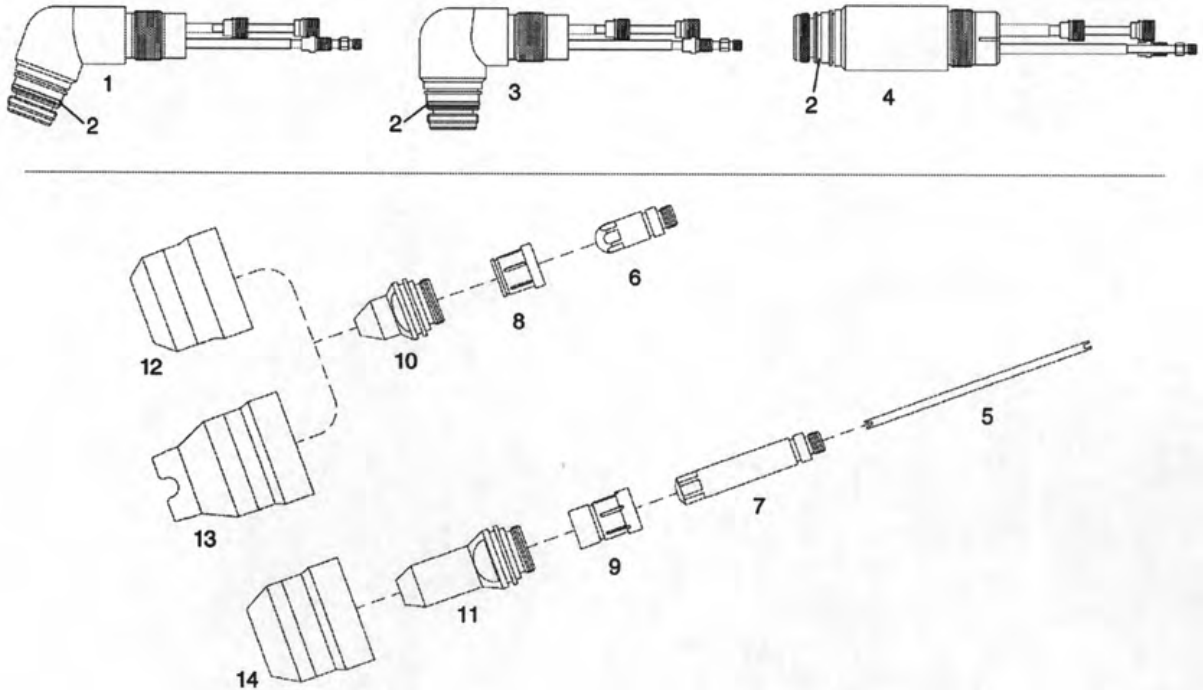
ITEM	CATALOG NUMBER	DESCRIPTION	STD. QTY
N/S	CS22894	HAND TORCH COMPLETE WITH 25' (7.5 m) CABLE	1
N/S	CS22895	HAND TORCH COMPLETE WITH 50' (15 m) CABLE	1
N/S	CS22896	MACHINE TORCH COMPLETE WITH 25' (7.5 m) CABLE AND PINION ASSEMBLY	1
N/S	CS22897	MACHINE TORCH COMPLETE WITH 50' (15 m) CABLE AND PINION ASSEMBLY	1
1	CS81113	70° TORCH HEAD	1
2	CS80556	O-RING (SHIELD CUP)	10
3	CS80538	O-RING (HANDLE)	10
N/S	CS81114	HANDLE	1
N/S	CS95522	SWITCH	1
N/S	CS84217	SWITCH SHEATH	1
4	CS81112	180° TORCH HEAD	1
N/S	CS86521	POSITIONING TUBE	1
N/S	CS86522	END CAP	1
5	CS81152	O-RING ELECTRODE HOLDER-LARG	10
6	CS81108	ELECTRODE HOLDER W/O-RINGS	1
7	CS81133	O-RING ELECTRODE HOLDER SMALL	10
8	CS94339	GAS DISTRIBUTOR W/O-RING	1
9	CS81134	O-RING GAS DISTRIBUTOR	10
10	CS81135	O-RING LINER	10
11	CS81106	LINER W/O-RING	1
12	CS94340	ELECTRODE	10
13	CS94343	TIP 35A	10
	CS94342	TIP 70A	10
	CS94341	TIP 105A	10
14	CS81100	SHIELD CUP-STD	5
	CS94345	SHIELD CUP-MACHINE	5
15	CS81101	SHIELD CUP-CROWN	5
N/S	CS42852	AIR AND POWER CABLE 25' (7.5 m)-HAND TORCH	1
N/S	CS42853	AIR AND POWER CABLE 50' (15 m)-HAND TORCH	1
N/S	CS42854	AIR AND POWER CABLE 25' (7.5 m)-MACHINE TORCH	1
N/S	CS42855	AIR AND POWER CABLE 50' (15 m)-MACHINE TORCH	1

REPLACEMENT PARTS SUITABLE FOR:

THERMAL DYNAMICS®

PCH/M-120

Pak Master 150XL



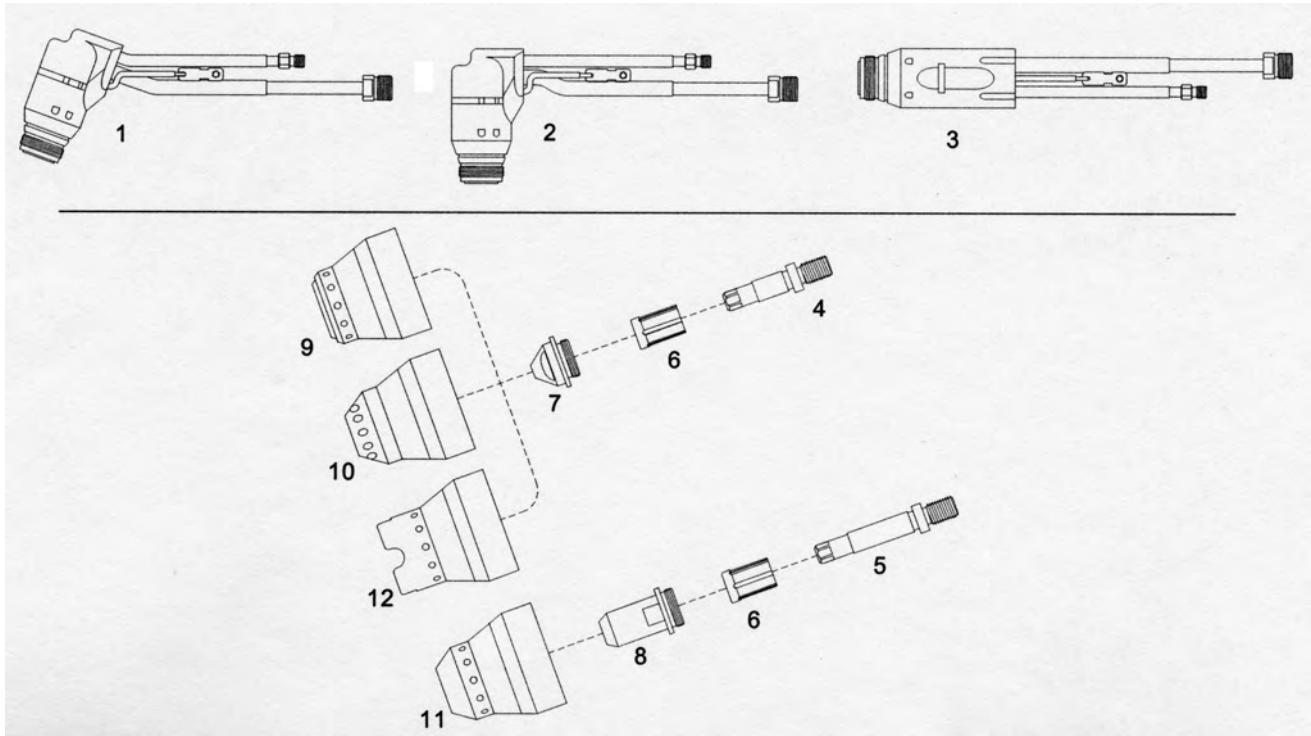
ITEM	CATALOG NUMBER	DESCRIPTION	STD. QTY
1	CS97830	70° TORCH HEAD	1
2	CS80538	O-RING	10
3	CS97831	90° TORCH HEAD	1
N/S	CS97833	HANDLE	1
N/S	CS91246	SCHWITCH	1
N/S	CS84216	SCHWITCH SHEATH	1
4	CS96410	180° TORCH HEAD	1
N/S	CS82158	ADAPTOR	1
N/S	CS73207	POSITIONING TUBE	1
N/S	CS84204	END CAP	1
5	CS201402	COOLANT TUBE EXTENSION-GOUGIN	1
6	CS201210	ELECTRODE AIR CUTTING	5
7	CS201211	ELECTRODE MULTI-GAS-CUTTING	5
8	CS201404	ELECTRODE AIR/N ₂ -GOUGING	5
9	CS201405	ELECTRODE Ar/H ₂ -GOUGING	5
10	CS201215	GAS DISTRIBUTOR-CUTTING	2
11	CS201406	GAS DISTRIBUTOR-GOUGING	2
12	CS201220	TIP 35A	5
13	CS201221	TIP 70A	5
14	CS201222	TIP 120A	5
15	CS201412	TIP .110-GOUGING	5
16	CS201413	TIP .125-GOUGING	5
17	CS201414	TIP .156-GOUGING	5
18	CS201415	TIP .171-GOUGING	5
19	CS201225	SHIELD CUP-STD	1
20	CS201226	SHIELD CUP-CROWN	1
21	CS201227	SHIELD CUP GOUGING	1
N/S	CS51862	CIRCLE CUTTING ATTACHMENT	1
N/S	CS51822	CUTTING GUIDE	1

REPLACEMENT PARTS SUITABLE FOR:

THERMAL DYNAMICS®

PCH/M-70

Stak Pak



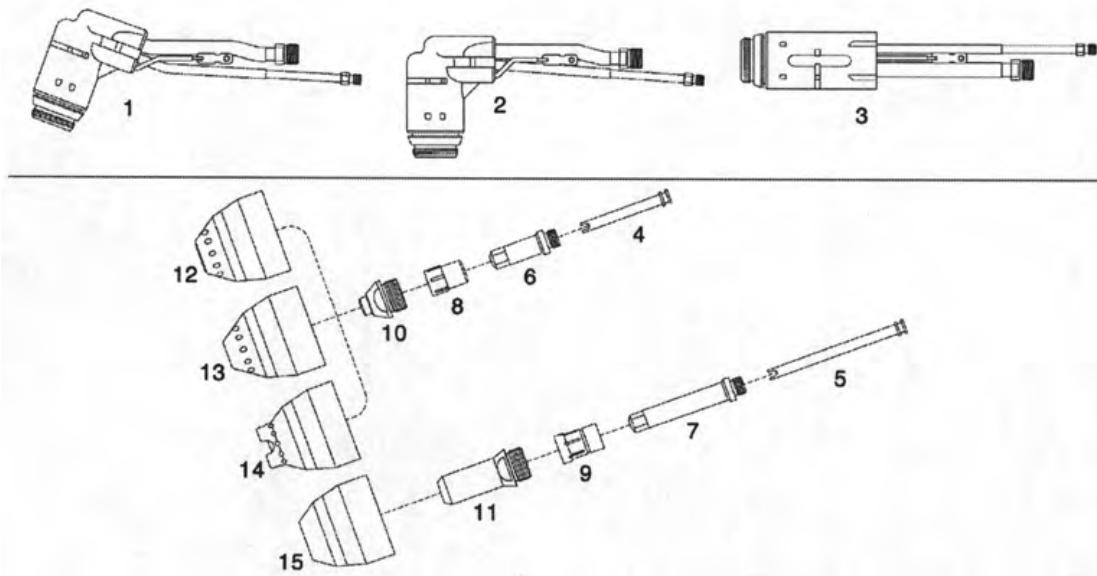
ITEM	CATALOG NUMBER	DESCRIPTION	STD. QTY
1	CS95810	70° TORCH HEAD	1
N/S	CS96266	70° TORCH SHELL	1
N/S	CS95859	70° TORCH SHELL COMPLETE	1
2	CS95811	90° TORCH HEAD	1
N/S	CS96264	90° TORCH SHELL	1
N/S	CS95860	90° TORCH SHELL COMPLETE	1
N/S	CS84309	TORCH HANDLE	1
N/S	CS91246	SWITCH	1
N/S	CS84302	INSERT	1
N/S	CS84303	CLOSURE	1
N/S	CS84308	BOOT	1
3	CS95812	180° TORCH HEAD	1
N/S	CS96265	180° TORCH SHELL	1
N/S	CS95861	180° TORCH SHELL COMPLETE	1
N/S	CS96162	PIP WIRE ASSEMBLY	1
4	CS96019	ELECTRODE CUTTING AIR/N ₂ /O ₂	10
	CS96021	ELECTRODE CUTTING Ar/H ₂	5
5	CS96107	ELECTRODE GOUGING AIR/N ₂ /O ₂	5
	CS96108	ELECTRODE GOUGING Ar/H ₂	5
6	CS96022	GAS DISTRIBUTOR	2
7	CS96008	TIP CUTTING 35A AIR/N ₂ /O ₂	10
	CS96009	TIP CUTTING 70A AIR/N ₂ /O ₂	10
	CS96013	TIP CUTTING 70A Ar/H ₂	10
8	CS96014	TIP GOUGING .089	5
	CS96015	TIP GOUGING .104	5
	CS96109	TIP GOUGING .125	5
9	CS96016	SHIELD CUP STANDOFF STD.	1
10	CS96024	SHIELD CUP STANDOFF LONG	1
11	CS96018	SHIELD CUP GOUGING	1
12	CS96017	SHIELD CUP CROWN	1

REPLACEMENT PARTS SUITABLE FOR:

THERMAL DYNAMICS®

PCH/M-140

Stak Pak



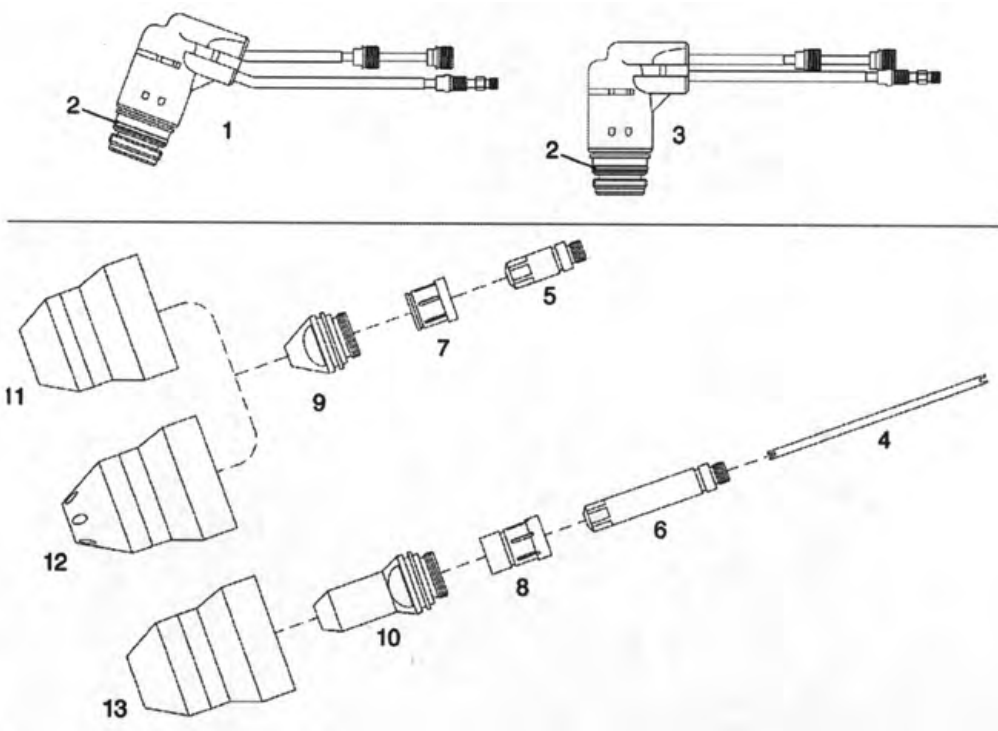
ITEM	CATALOG NUMBER	DESCRIPTION	STD. QTY
1	CS95813	70° TORCH HEAD	1
N/S	CS95826	70° TORCH SHELL	1
2	CS95814	90° TORCH HEAD	1
N/S	CS95827	90° TORCH SHELL	1
N/S	CS84312	TORCH HANDLE	1
N/S	CS91246	SWITCH	1
N/S	CS84302	INSERT	1
N/S	CS84303	CLOSURE	1
3	CS95815	BOOT	1
N/S	CS95828	180° TORCH HEAD	1
N/S	CS94532	180° TORCH SHELL	1
4	CS96052	PIP WIRE ASSEMBLY	1
5	CS96113	COOLING TUBE CUTTING	1
6	CS96048	COOLING TUBE GOUGING	10
	CS96050	ELECTRODE CUTTING AIR/N ₂ /O ₂	5
7	CS96110	ELECTRODE CUTTING Ar/H ₂	5
	CS96111	ELECTRODE GOUGING AIR/N ₂ /O ₂	5
8	CS96051	ELECTRODE GOUGING Ar/H ₂	2
9	CS96112	GAS DISTRIBUTOR CUTTING	2
10	CS96025	GAS DISTRIBUTOR GOUGING	10
	CS96026	TIP CUTTING 35A AIR/N ₂	10
	CS96027	TIP CUTTING 70A AIR/N ₂	10
	CS96028	TIP CUTTING 105A Ar/N ₂	10
	CS96034	TIP CUTTING 70A Ar/H ₂	10
	CS96035	TIP CUTTING 105A Ar/H ₂	10
	CS96036	TIP CUTTING 140A Ar/H ₂	10
11	CS96037	TIP GOUGING .110	5
	CS96038	TIP GOUGING .125	5
	CS96039	TIP GOUGING .156	5
	CS96040	TIP GOUGING .171	5
12	CS96045	SHIELD CUP STANDOFF STD.	1
13	CS96054	SHIELD CUP STANDOFF LONG	1
14	CS96046	SHIELD CUP CROWN	1
15	CS96047	SHIELD CUP GOUGING	1

REPLACEMENT PARTS SUITABLE FOR:

THERMAL DYNAMICS®

PCH-145

Stak Pak



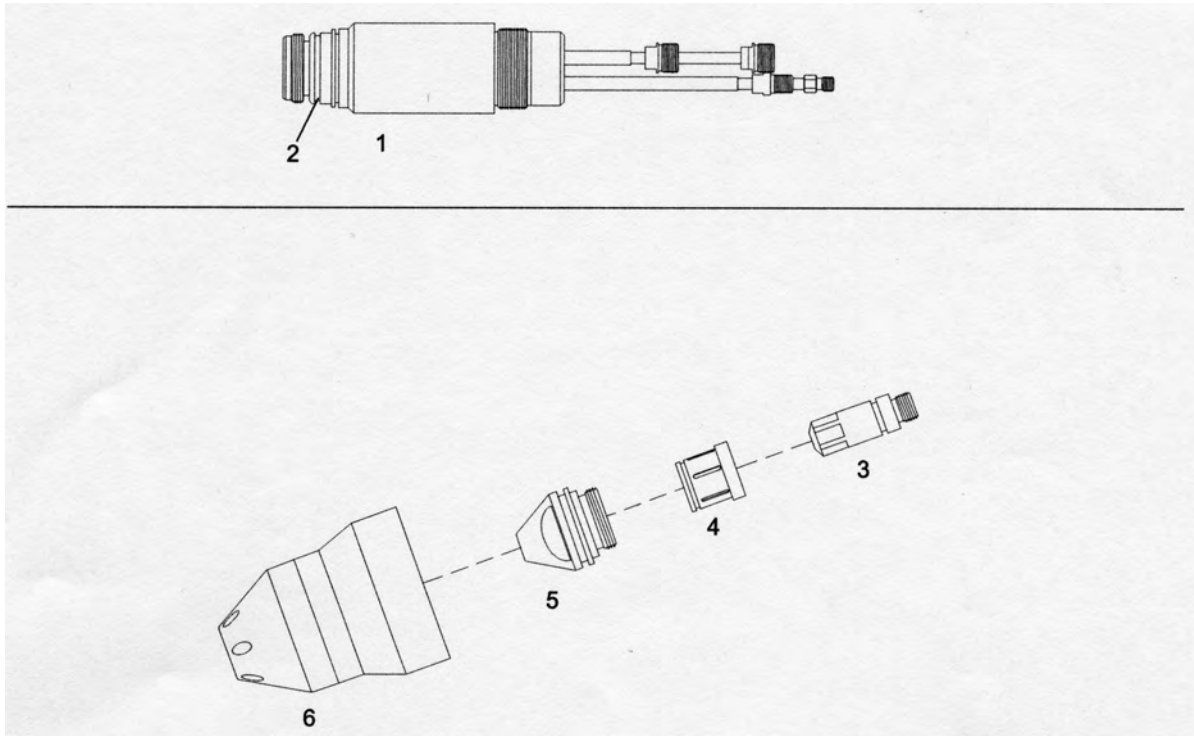
ITEM	CATALOG NUMBER	DESCRIPTION	STD. QTY
1	CS95816	70° TORCH HEAD	1
2	CS80538	O-RING	10
3	CS95817	90° TORCH HEAD	1
N/S	CS84312	TORCH HANDLE	1
N/S	CS91246	SWITCH	1
N/S	CS84302	INSERT	1
N/S	CS84303	CLOSURE	1
4	CS201403	COOLANT TUBE EXTENSION GOUGING	1
5	CS96078	ELECTRODE CUTTING AIR	10
	CS96129	ELECTRODE CUTTING N ₂	5
	CS96080	ELECTRODE GOUGING Ar/H ₂	5
6	CS201404	ELECTRODE GOUGING Ar/N ₂ /O ₂ (REPLACES CS96130)	5
	CS201405	ELECTRODE GOUGING Ar/H ₂ (REPLACES CS96131)	5
7	CS96081	GAS DISTRIBUTOR CUTTING	2
8	CS201409	GAS DISTRIBUTOR GOUGING (REPLACES CS96082)	1
9	CS96055	TIP CUTTING 35A AIR/N ₂	10
	CS96056	TIP CUTTING 70A AIR/N ₂	10
	CS96057	TIP CUTTING 105A AIR/N ₂	10
	CS96058	TIP CUTTING 140A AIR/N ₂	10
	CS96064	TIP CUTTING 70A Ar/H ₂	10
	CS96065	TIP CUTTING 105A Ar/H ₂	10
	CS96066	TIP CUTTING 140A Ar/H ₂	10
10	CS201415	TIP GOUGING .171 (REPLACES CS96067)	5
	CS201416	TIP GOUGING .209 (REPLACES CS96068)	5
	CS201417	TIP GOUGING .246 (REPLACES CS96069)	5
	CS201418	TIP GOUGING .246 (REPLACES CS96070)	5
11	CS96075	SHIELD CUP STANDOFF STD.	1
12	CS96083	SHIELD CUP STANDOFF LONG	1
13	CS201424	SHIELD CUP GOUGING HAND (REPLACES CS96077)	1

REPLACEMENT PARTS SUITABLE FOR:

THERMAL DYNAMICS®

PCM-145

Stak Pak, TD750, Merlin 3000, Pak 15XC w/Max 300 retrofit



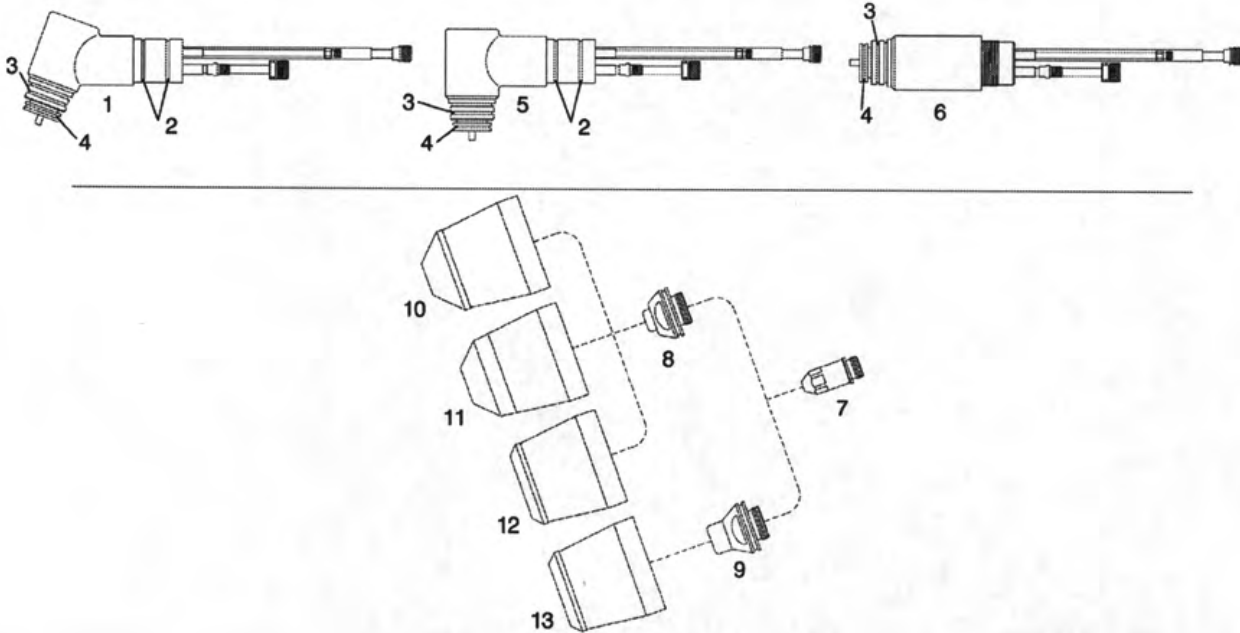
ITEM	CATALOG NUMBER	DESCRIPTION	STD. QTY
1	CS96410	180° TORCH HEAD	1
2	CS80538	O-RING	10
N/S	CS82158	ADAPTOR	1
N/S	CS73207	POSITIONING TUBE	1
N/S	CS84204	END CAP	1
3	CS201018	ELECTRODE AIR/O ₂	5
	CS201023	ELECTRODE N ₂ (REPLACES CS96431)	5
	CS201025	ELECTRODE Ar/H ₂ (REPLACES CS96427)	5
4	CS96416	GAS DISTRIBUTOR	1
5	CS96424	TIP CUTTING 70A AIR/N ₂	10
	CS96425	TIP CUTTING 105A AIR/N ₂	10
	CS96426	TIP CUTTING 140A AIR/N ₂	10
	CS96419	TIP CUTTING 70A O ₂	10
	CS96420	TIP CUTTING 105A O ₂	10
	CS96421	TIP CUTTING 140A O ₂	10
	CS96428	TIP CUTTING 70A Ar/H ₂	10
	CS96429	TIP CUTTING 105A Ar/H ₂	10
	CS96430	TIP CUTTING 140A Ar/H ₂	10
6	CS96411	SHIELD CUP STANDOFF LONG O ₂	1
	CS96412	SHIELD CUP STANDOFF LONG AIR/N ₂ Ar/H ₂	1

REPLACEMENT PARTS SUITABLE FOR:

THERMAL DYNAMICS®

PCH/M-150

Pak 15XC

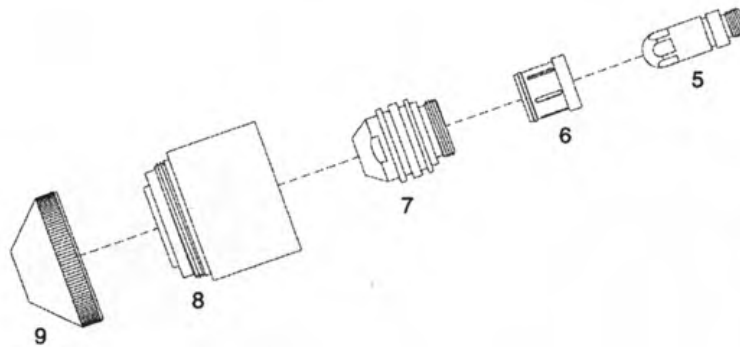
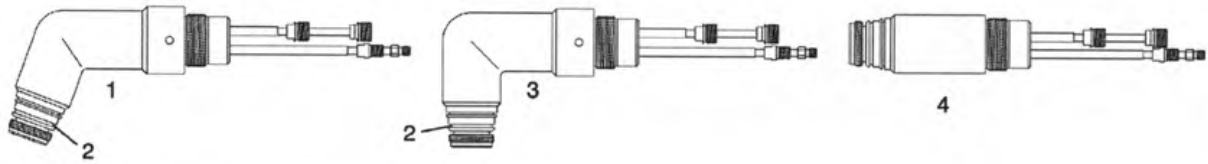


ITEM	CATALOG NUMBER	DESCRIPTION	STD. QTY
1	CS95743	70° TORCH HEAD	1
2	CS85570	O-RING (HANDLE)	10
3	CS80540	O-RING (SHIELD CAP LG.)	10
4	CS80537	O-RING (SHIELD CAP SM.)	10
5	CS95744	90° TORCH HEAD	1
N/S	CS91063	HANDLE	1
N/S	CS91246	SWITCH	1
N/S	CS91064	SWITCH SHEATH	1
6	CS95745	180° TORCH HEAD	1
N/S	CS82158	ADAPTOR	1
N/S	CS73207	POSITIONING TUBE	1
N/S	CS84204	END CAP	1
7	CS95749	ELECTRODE AIR	10
	CS95760	ELECTRODE O ₂	5
	CS95754	ELECTRODE N ₂ Ar H ₂	5
8	CS95748	TIP 50A AIR	10
	CS95747	TIP 100A AIR	10
	CS95746	TIP 150A AIR	10
	CS95753	TIP 50A O ₂	10
	CS95752	TIP 100A O ₂	10
	CS95751	TIP 150A O ₂	10
	CS95765	TIP 50A N ₂	10
	CS95766	TIP 100A N ₂	10
	CS95767	TIP 150A N ₂	10
	CS95775	TIP 150A Ar/H ₂	10
9	CS95756	TIP GOUGING 85A .078	10
	CS95755	TIP GOUGING 150A .120	10
10	CS95750	SHIELD CUP CERAMIC FRONT	1
11	CS95790	SHIELD CUP STD. METAL FRONT	1
12	CS95801	SHIELD CUP COPPER (TIP EXP.)	1
	CS95758	SHIELD CUP CERAMIC (TIP EXP.)	1
13	CS95774	SHIELD CUP GOUGING	1

REPLACEMENT PARTS SUITABLE FOR:

THERMAL DYNAMICS®

Maximizer 300 Merlin 1000



ITEM	CATALOG NUMBER	DESCRIPTION	STD. QTY
1	CS96457	70° TORCH HEAD	1
2	CS80538	O-RING	10
3	CS96459	90° TORCH HEAD	1
N/S	CS96767	ADAPTOR	1
N/S	CS96769	MOUNTING TUBE	1
4	CS96410	180° TORCH HEAD	1
N/S	CS82158	ADAPTOR	1
N/S	CS73207	POSITION TUBE	1
N/S	CS84204	END CAP	1
5	CS201016	ELECTRODE O ₂	5
	CS201018	ELECTRODE AIR	5
	CS201023	ELECTRODE N ₂	5
	CS201025	ELECTRODE Ar/H ₂	5
6	CS200008	GAS DISTRIBUTOR 50-225A	1
7	CS201030	TIP 50A O ₂ /N ₂ /AIR	10
	CS201031	TIP 100A O ₂ /N ₂ /AIR	10
	CS201034	TIP 300A	10
8	CS201002	SHIELD CUP BODY	1
	CS201029	SHIELD CUP BODY UNDERWATER	1
9	CS201003	END CUP 50A	1
	CS201004	END CUP 100A	1
	CS201028	END CUP UNDERWATER	1

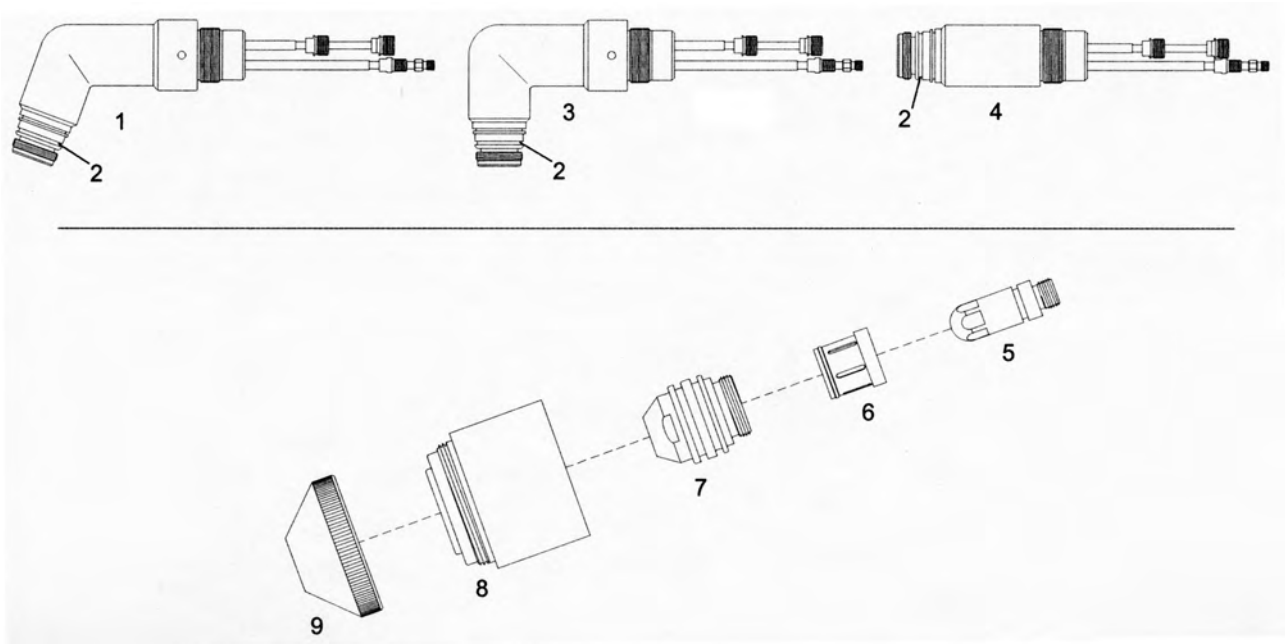
SQUARE CUT, 50A, O₂-O₂ CONSUMABLES

5	CS201050	ELECTRODE CUTTING O ₂	5
6	CS200008	GAS DISTRIBUTOR CUTTING	1
7	CS201051	TIP CUTTING 50A	10
7	CS201002	SHIELD CUP BODY	1
8	CS201052	SHIELD CUP END CUP 50A	1

REPLACEMENT PARTS SUITABLE FOR:

THERMAL DYNAMICS®

Maximizer 300 Merlin 3000, Merlin 6000



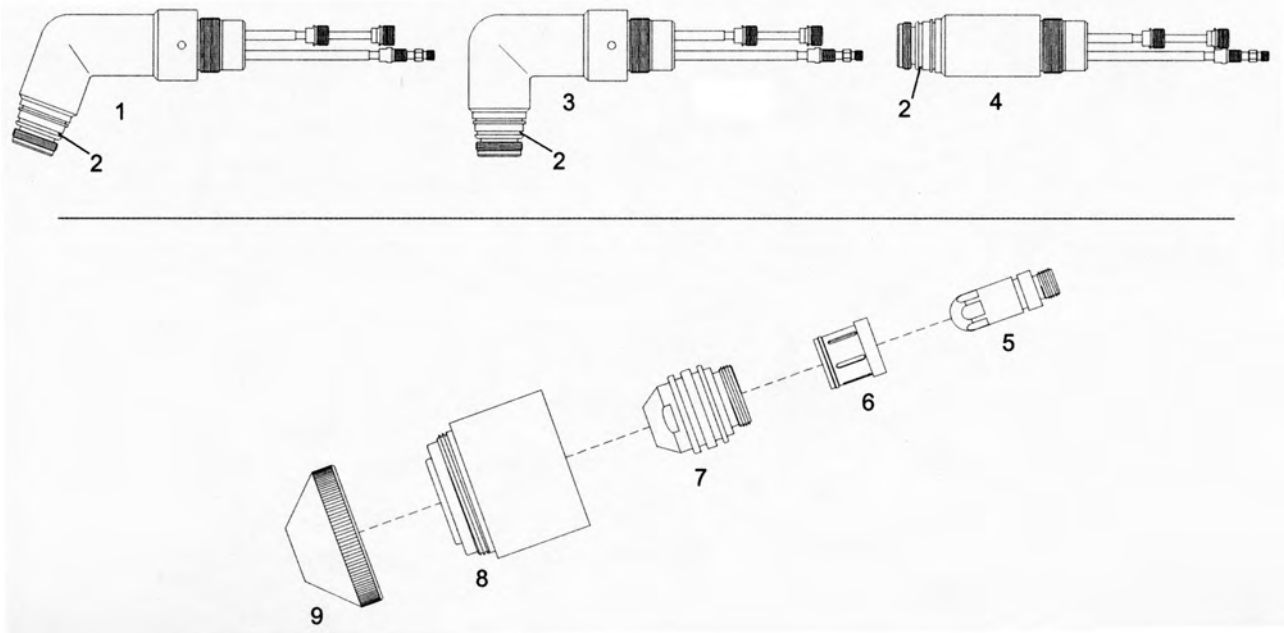
ITEM	CATALOG NUMBER	DESCRIPTION	STD. QTY
1	CS96457	70° TORCH HEAD	1
2	CS80038	O-RING	10
3	CS96459	90° TORCH HEAD	1
N/S	CS96767	ADAPTOR	1
N/S	CS96769	MOUNTING TUBE	1
4	CS96410	180° TORCH HEAD	1
N/S	CS83322	ADAPTOR	1
N/S	CS96819	POSITIONING TUBE	1
N/S	CS86522	END CAP	1
5	CS201010	ELECTRODE O ₂ 100-225A	5
	CS201015	ELECTRODE O ₂ 100A	5
	CS201016	ELECTRODE O ₂ 150A	5
	CS201017	ELECTRODE O ₂ 225A	5
	CS201018	ELECTRODE AIR 50-225A	5
	CS201021	ELECTRODE AIR/O ₂ 300A	5
	CS201023	ELECTRODE N ₂ 50-300A	5
	CS201025	ELECTRODE Ar/H ₂ 100-300A	5
	CS201050	ELECTRODE CUTTING O ₂	5
6	CS200008	GAS DISTRIBUTOR 50-225A	1
	CS201009	GAS DISTRIBUTOR 300A	1
7	CS201030	TIP 50A	10
	CS201031	TIP 100A	10
	CS201032	TIP 150A	10
	CS201033	TIP 225A	10
	CS201034	TIP 300A	10
8	CS201002	SHIELD CUP BODY	1
	CS201029	SHIELD CUP BODY UNDERWATER (MERLIN 6000 ONLY)	1
9	CS201003	END CUP 50A	1
	CS201004	END CUP 100-225A	1
	CS201005	END CUP 300A	1
	CS201006	END CUP UNDERWATER 100-300A	1
	CS201007	END CUP NON-CONDUCTIVE	1
	CS201028	END CUP UNDERWATER (MERLIN 6000 ONLY)	1

REPLACEMENT PARTS SUITABLE FOR:

THERMAL DYNAMICS®

Maximizer 300

Merlin 6000 GST



ITEM	CATALOG NUMBER	DESCRIPTION	STD. QTY
1	CS96457	70° TORCH HEAD	1
2	CS80538	O-RING	10
3	CS96459	90° TORCH HEAD	1
N/S	CS96767	ADAPTOR	1
N/S	CS96769	MOUNTING TUBE	1
4	CS96410	180° TORCH HEAD	1
N/S	CS83322	ADAPTOR	1
N/S	CS96819	POSITIONING TUBE	1
N/S	CS86522	END CAP	1
5	CS201010	ELECTRODE O ₂ 100-225A	5
	CS201018	ELECTRODE AIR 50-225A	5
	CS201021	ELECTRODE AIR/O ₂ 300A	5
	CS201023	ELECTRODE N ₂ 50-300A	5
	CS201025	ELECTRODE Ar/H ₂ 100-300A	5
6	CS200008	GAS DISTRIBUTOR 50-225A	1
	CS201009	GAS DISTRIBUTOR 300A	1
7	CS201030	TIP 50A	10
	CS201031	TIP 100A	10
	CS201032	TIP 150A	10
	CS201033	TIP 225A	10
	CS201034	TIP 300A	10
8	CS201002	SHIELD CUP BODY	1
	CS201029	SHIELD CUP BODY UNDERWATER	1
9	CS201003	END CUP 50A	1
	CS201004	END CUP 100-225A	1
	CS201005	END CUP 300A	1
	CS201006	END CUP UNDERWATER 100-300A	1
	CS201007	END CUP NON-CONDUCTIVE	1
	CS201028	END CUP UNDERWATER	1

SQUARE CUT, 50A, O₂-O₂ CONSUMABLES

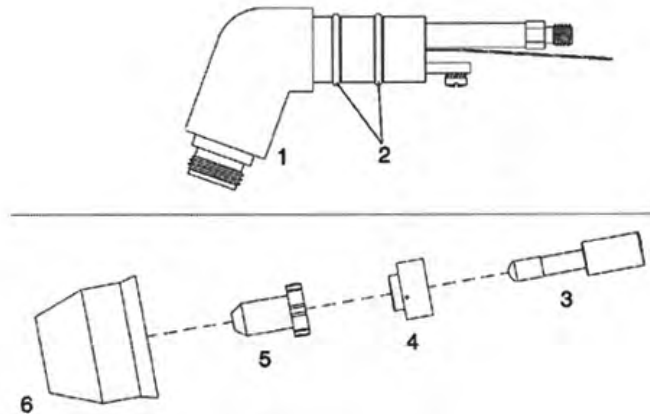
5	CS201050	ELECTRODE CUTTING O ₂	5
6	CS200008	GAS DISTRIBUTOR CUTTING	1
7	CS201051	TIP CUTTING 50A	10
8	CS201002	SHIELD CUP BODY	1
9	CS201052	SHIELD CUP END CAP 50A	1

REPLACEMENT PARTS SUITABLE FOR:

THERMAL DYNAMICS®

PCH-20

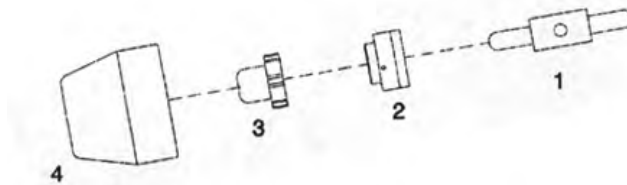
Dynapak 110, Pak 2XT



ITEM	CATALOG NUMBER	DESCRIPTION	STD. QTY
1	CS83220	70° TORCH HEAD	1
2	CS80533	O-RING	20
3	CS96006	ELECTRODE	10
4	CS83233	GAS DISTRIBUTOR	5
5	CS83212	TIP	10
6	CS83214	SHIELD CUP STD.	2

PCH-30

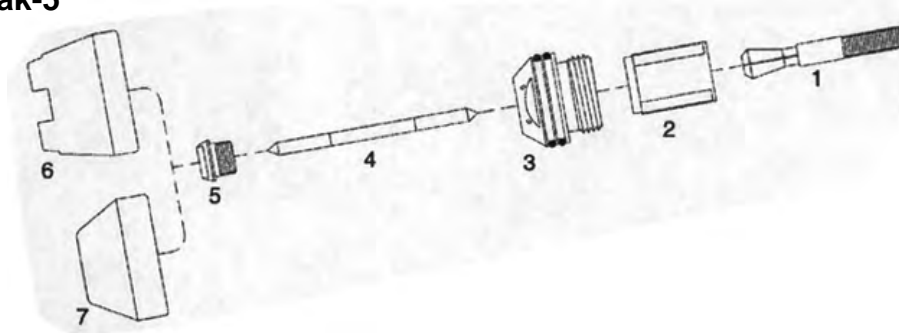
Pak-3



ITEM	CATALOG NUMBER	DESCRIPTION	STD. QTY
1	CS95503	ELECTRODE	10
2	CS83233	GAS DISTRIBUTOR	5
3	CS95501	TIP	10
4	CS95500	SHIELD CUP STD.	2

PCH-50

Pak-5



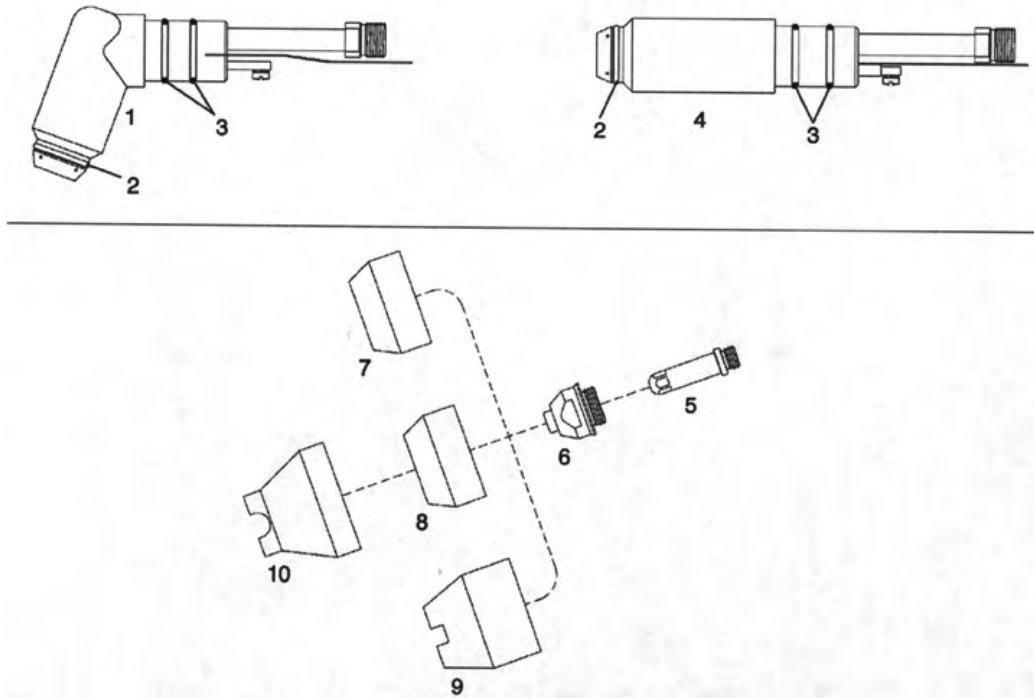
ITEM	CATALOG NUMBER	DESCRIPTION	STD. QTY
1	CS85506	COOLLET	1
2	CS85510	SLEEVE	1
3	CS85520	LINER (INCLUDES O-RINGS)	1
4	CS85508	ELECTRODE	5
5	CS85507	TIP	10
6	CS85519	SHIELD CUP CROWN CERAMIC	2
7	CS85505	SHIELD CUP STD. CERAMIC	2

REPLACEMENT PARTS SUITABLE FOR:

THERMAL DYNAMICS®

PCH/M 51

**4Xi, 6Xi, Pak-3XR, Pak-6XR, Pak-7XR,
Pak-5XT, Pak-625XR, Pak-750XR**



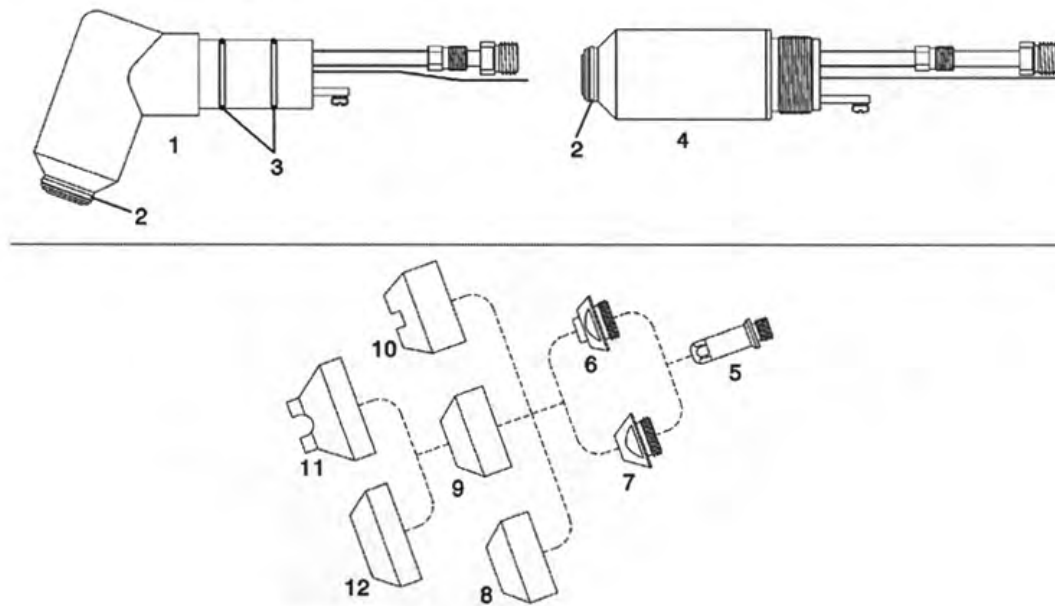
ITEM	CATALOG NUMBER	DESCRIPTION	STD. QTY
N/SE	CS22860E	HAND TORCH COMPLETE WITH 25' (7.5 m) CABLE	1
N/SE	CS22861E	HAND TORCH COMPLETE WITH 50' (15 m) CABLE	1
N/SE	CS22864E	MACHINE TORCH COMPLETE WITH 25' (7.5 m) CABLE (WITH HANDLE CS95637E)	1
N/SE	CS22865E	MACHINE TORCH COMPLETE WITH 50' (15 m) CABLE (WITH HANDLE CS95637E)	1
1	CS95635	70° TORCH HEAD	1
2	CS85525	O-RING (SHIELD CUP)	20
3	CS80533	O-RING (HANDLE)	20
N/S	CS81322E	HANDGRIP COMPLETE WITH MICROSWITCH (INCLUDES CS95636, CS95522, CS81322)	1
4	CS95634	180° TORCH HEAD	1
N/S	CS95637E	MACHINE HANDLE	1
N/S	CS84018	NUT	1
N/S	CS95637	ADAPTOR	1
N/S	CS85005	POSITIONING TUBE	1
N/S	CS84204	END CAP	1
5	CS95633	ELECTRODE	10
6	CS95718	TIP 10-40A AIR	10
	CS95631	TIP 10-60A AIR	10
	CS83321	TIP 65A AIR	10
	CS95724	TIP GOUGING .078	10
7	CS95630	SHIELD CUP CERAMIC	5
8	CS82159	SHIELD CUP-PHENOLIC-STD.	10
9	CS85526	SHIELD CUP-CROWN-CERAMIC	5
10	CS95779	SHIELD CUP-CROWN (FITS OVER CS82159)	2
N/S	CS45030	AIR AND POWER CABLE 25' (7.5 m HAND TORCH)	1
N/S	CS45031	AIR AND POWER CABLE 50' (15 m HAND TORCH)	1
N/S	CS45032	AIR AND POWER CABLE 25' (7.5 m MACHINE TORCH)	1
N/S	CS45033	AIR AND POWER CABLE 50' (15 m MACHINE TORCH)	1
N/S	CS51857	CIRCLE CUTTING ATTACHMENT	1
N/S	CS51813	CUTTING GUIDE	1

REPLACEMENT PARTS SUITABLE FOR:

THERMAL DYNAMICS®

PCH/M 52

**Pak-5XR*, Pak-6XR*, Pak-7XR, Pak-8XR, Pak-10XR,
Pak-625XR*, Pak-750XR*, Pak-1000XR, Pak-1250XR** *= Dual Gas



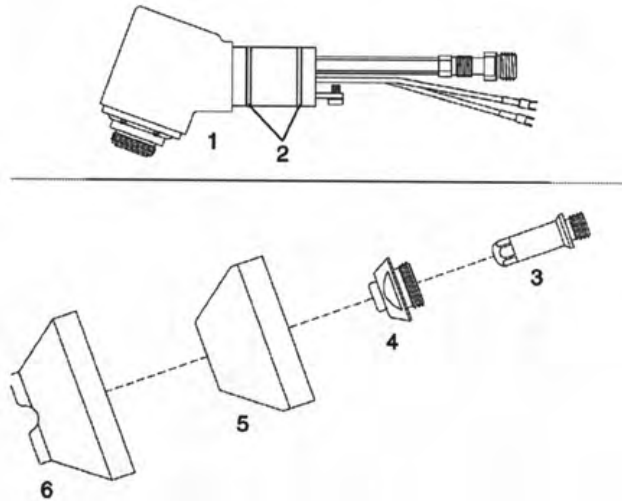
ITEM	CATALOG NUMBER	DESCRIPTION	STD. QTY
N/S	CS22936E	HAND TORCH COMPLETE WITH 25' (7.5 m) CABLE	1
N/S	CS22937E	HAND TORCH COMPLETE WITH 50' (15 m) CABLE	1
N/S	CS22938E	MACHINE TORCH COMPLETE WITH 25' (7.5 m) CABLE (WITH HANDLE CS97833)	1
N/S	CS22939E	MACHINE TORCH COMPLETE WITH 50' (15 m) CABLE (WITH HANDLE CS97833)	1
1	CS95642	70° TORCH HEAD	1
2	CS85525	O-RING (SHIELD CUP)	20
3	CS80536	O-RING (HANDLE)	20
N/S	CS95644E	HANDGRIP COMPLETE WITH MICROSWITCH (INCLUDES 9-5644, 9-5522, 8-4216)	1
4	CS95643	180° TORCH HEAD	1
N/S	CS97833	MACHINE HANDLE	1
N/S	CS84018	NUT	1
N/S	CS91901	ADAPTOR	1
N/S	CS85005	POSITIONING TUBE	1
N/S	CS84204	END CAP	1
5	CS83331	ELECTRODE AIR	10
	CS95619	ELECTRODE AIR (PLATED)	10
	CS95711	ELECTRODE MULTI GAS	10
6	CS95702	TIP 35A AIR	10
	CS95618	TIP 45-55A AIR	10
	CS95707	TIP 60-70A AIR	10
	CS95782	TIP 80A AIR	10
	CS95708	TIP 105A AIR	10
7	CS85129	TIP GOUGING	10
	CS95709	TIP GOUGING 70A .078	10
	CS95710	TIP GOUGING 105A .093	10
	CS95713	TIP GOUGING 105A .113	10
8	CS95617	SHIELD CUP STD. CERAMIC	5
9	CS95781	SHIELD CUP-PHENOLIC-STD.	10
10	CS95694	SHIELD CUP-CROWN-CERAMIC	5
11	CS95780	SHIELD CUP-CROWN (FITS OVER CS95781)	2
12	CS95799	SHIELD CUP (FITS OVER CS95781)	2
N/S	CS45034	AIR AND POWER CABLE 25' (7.5 m HAND TORCH)	1
N/S	CS45035	AIR AND POWER CABLE 50' (15 m HAND TORCH)	1
N/S	CS45036	AIR AND POWER CABLE 25' (7.5 m MACHINE TORCH)	1
N/S	CS45037	AIR AND POWER CABLE 50' (15 m MACHINE TORCH)	1
N/S	CS51859	CIRCLE CUTTING ATTACHMENT	1
N/S	CS51815	CUTTING GUIDE	1

REPLACEMENT PARTS SUITABLE FOR:

THERMAL DYNAMICS®

PCH/M 52P

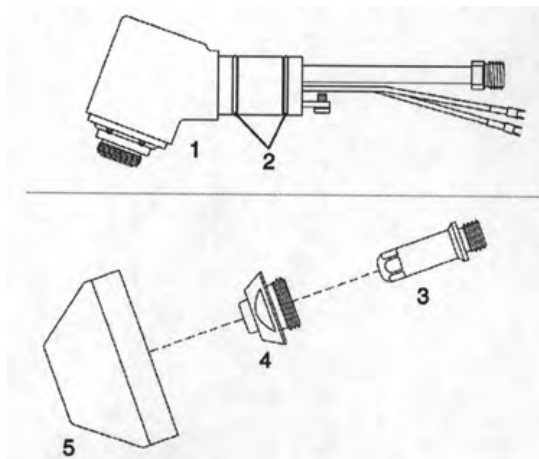
Pak 1250XR



ITEM	CATALOG NUMBER	DESCRIPTION	STD. QTY
1	CS96358	70° TORCH HEAD	1
2	CS80536	O-RING	20
N/S	CS95644E	HANDGRIP COMPLETE WITH MICROSWITCH (INCLUDES 9-5644, 9-5522, 8-4216)	1
3	CS95619	ELECTRODE AIR (PLATED)	10
	CS95711	ELECTRODE MULTI GAS	10
4	CS95702	TIP 35A AIR/Mg	10
	CS95707	TIP 70A AIR/Mg	10
	CS95708	TIP 105A AIR/Mg	10
5	CS96355	SHIELD CUP STD.	1
6	CS96357	SHIELD CUP STANDOFF CROWN (FITS OVER CS96355)	1

PCH 53P

Pak Master 100



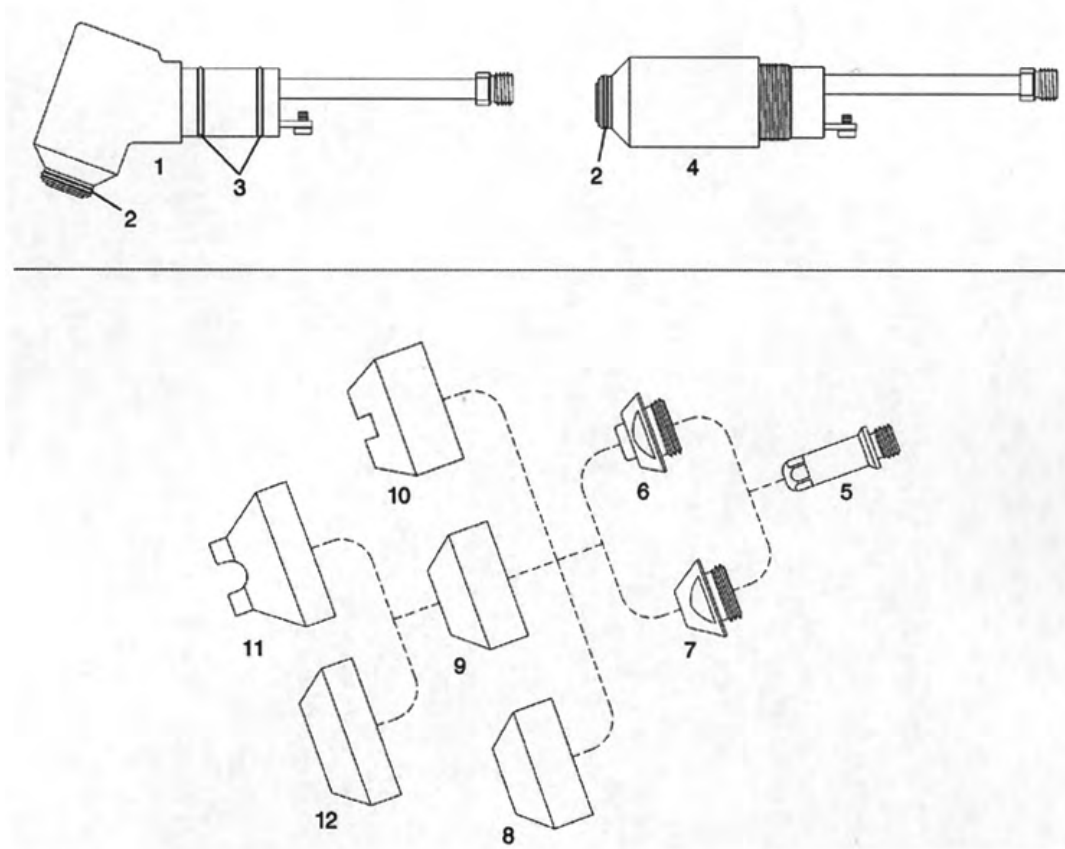
ITEM	CATALOG NUMBER	DESCRIPTION	STD. QTY
1	CS96370	70° TORCH HEAD	1
2	CS80536	O-RING	20
N/S	CS95644E	HANDGRIP COMPLETE WITH MICROSWITCH (INCLUDES 9-5644, 9-5522, 8-4216)	1
3	CS95898	ELECTRODE AIR	10
4	CS95897	TIP 70A AIR	10
5	CS96355	SHIELD CUP STD.	1

REPLACEMENT PARTS SUITABLE FOR:

THERMAL DYNAMICS®

PCH/M 53

Pak Master 100



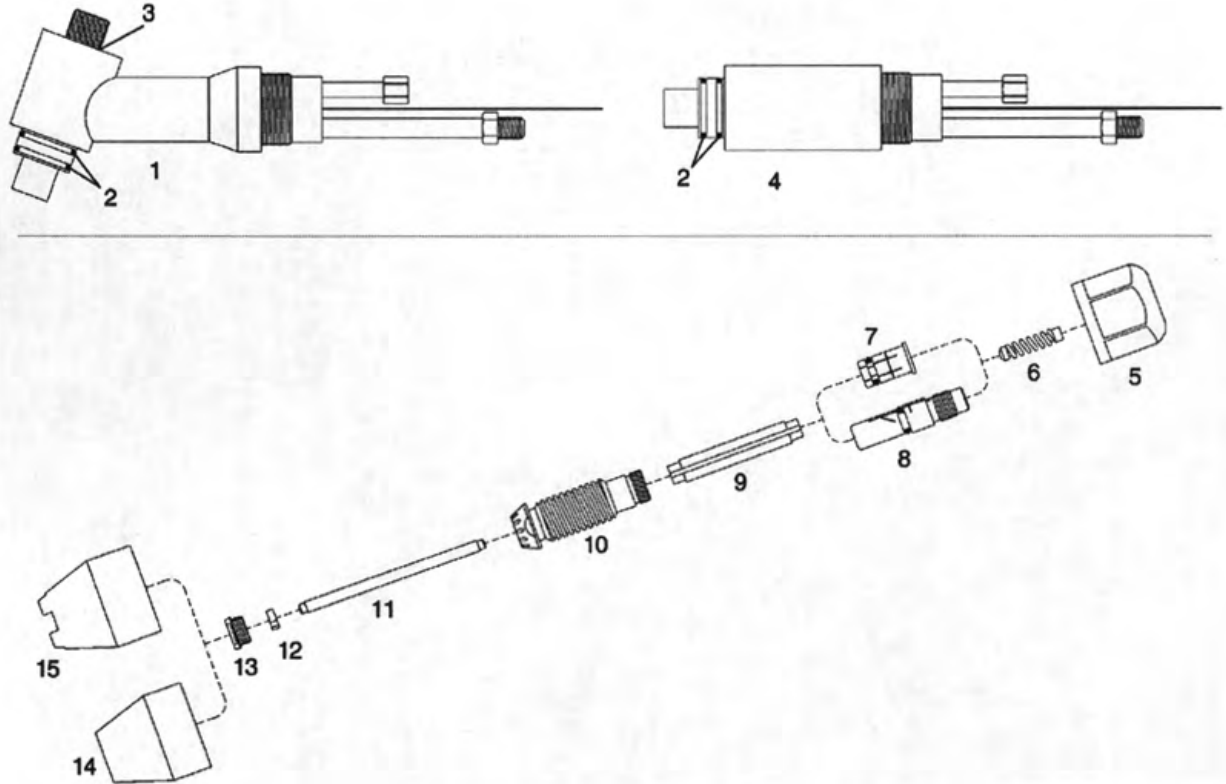
ITEM	CATALOG NUMBER	DESCRIPTION	STD. QTY
1	CS96170	70° TORCH HEAD	1
2	CS85525	O-RING (SHIELD CUP)	20
3	CS80536	O-RING (HANDLE)	20
N/S	CS95644E	HANDGRIP COMPLETE WITH MICROSWITCH (INCLUDES CS95644, CS95522, CS84216)	1
4	CS96180	180° TORCH HEAD	1
N/S	CS84018	NUT	1
N/S	CS91901	ADAPTOR	1
N/S	CS85005	POSITIONING TUBE	1
N/S	CS84204	END CAP	1
5	CS95898	ELECTRODE AIR	10
6	CS95897	TIP 70A AIR	10
7	CS95709	TIP GOUGING 70A .078	10
8	CS95617	SHIELD CUP STD. CERAMIC	5
9	CS95781	SHIELD CUP PHENOLIC STD.	10
10	CS95694	SHIELD CUP-CROWN CERAMIC	5
11	CS95780	SHIELD CUP-CROWN (FITS OVER CS95781)	2
12	CS95799	SHIELD CUP (FITS OVER CS95781)	2
N/S	CS51859	CIRCLE CUTTING ATTACHMENT	1
N/S	CS51815	CUTTING GUIDE	1

REPLACEMENT PARTS SUITABLE FOR:

THERMAL DYNAMICS®

PCH/M 4B(T)

Pak-5 (Mech), Pak-10, Pak-10XR (Mech)



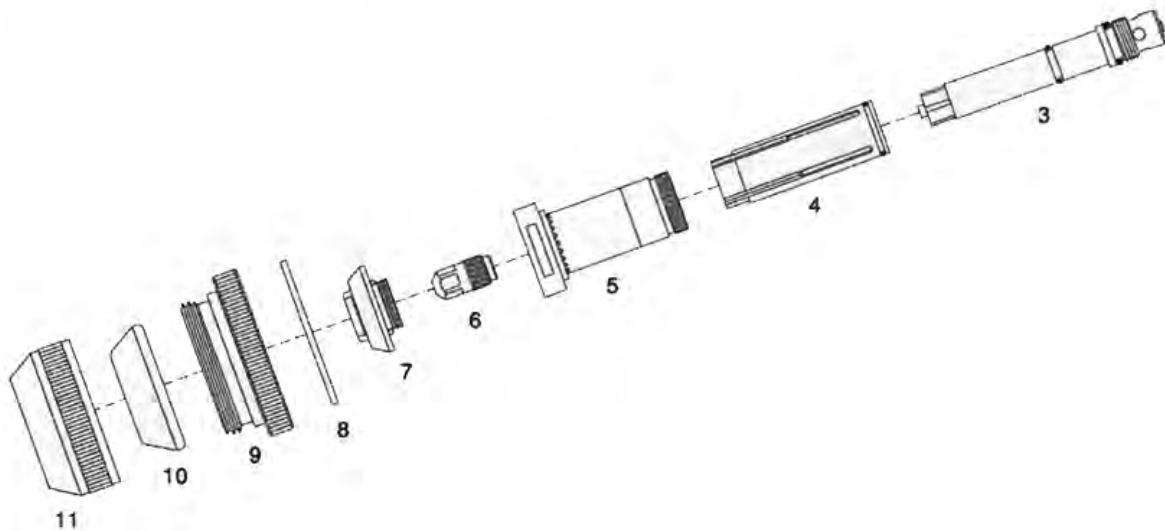
ITEM	CATALOG NUMBER	DESCRIPTION	STD. QTY
1	CS84160	70° TORCH HEAD	1
N/S	CS84161	90° TORCH HEAD	1
2	CS80554	O-RING (SHIELD CUP)	10
3	CS80530	O-RING (BACK CUP)	10
N/S	CS85007	HANDLE	1
N/S	CS84218	SWITCH	1
N/S	CS84216	SWITCH SHEATH	1
4	CS84196	180° TORCH HEAD	1
N/S	CS84018	NUT	1
N/S	CS91901	ADAPTOR	1
N/S	CS85005	MOUNTING TUBE	1
N/S	CS84204	END CAP	1
5	CS84158	BACK CAP	1
6	CS84050	SPRING	1
7	CS84156	COLLET STD.	1
8	CS84197	COLLET (4BT ONLY)	1
9	CS84182	SLEEVE	1
10	CS84154	LINER	1
11	CS84073	ELECTRODE	5
12	CS92421	GAS DISTRIBUTOR	10
13	CS84153	TIP LO-AMP .059	10
	CS84189	TIP LO-AMP-STD. .030 (4BT/5)	10
	CS84211	TIP STD. .046 (4BT/5)	10
14	CS84088	SHIELD CUP STD. CERAMIC	2
15	CS84213	SHIELD CUP CROWN CERAMIC	2

REPLACEMENT PARTS SUITABLE FOR:

THERMAL DYNAMICS®

PCH/M 6B

Pak-44, Pak-45

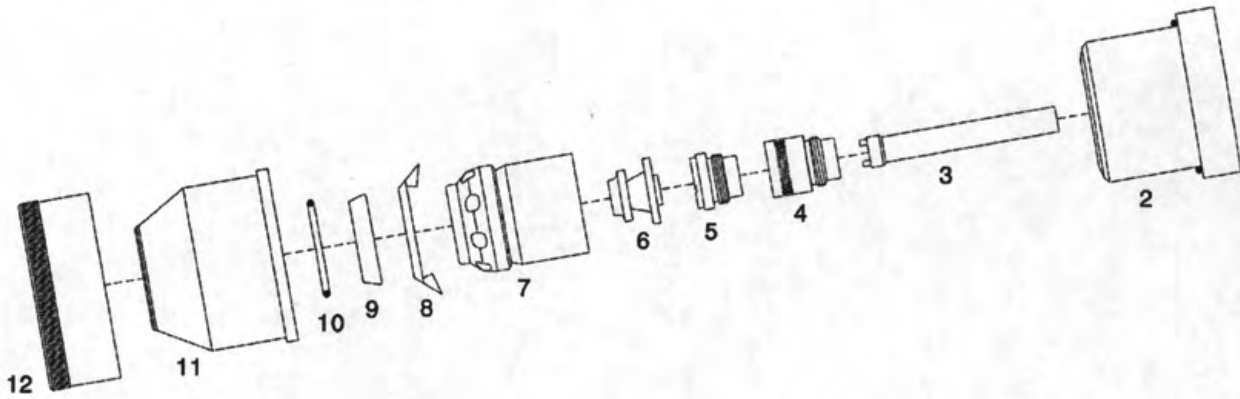
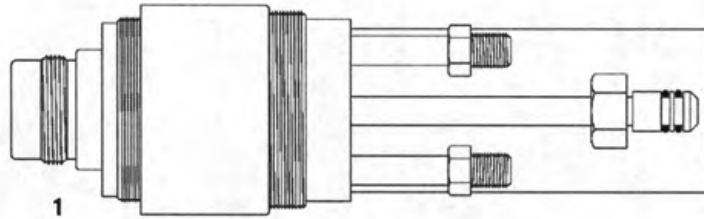


ITEM	CATALOG NUMBER	DESCRIPTION	STD. QTY
1	CS86583	70° TORCH HEAD	1
N/S	CS86584	90° TORCH HEAD	1
N/S	CS86519	HANDLE	1
N/S	CS86564	SWITCH/SHEATH/NOMEX	1
2	CS86577	180° TORCH HEAD	1
N/S	CS86521	POSITIONING TUBE	1
N/S	CS86522	END CAP	1
3	CS86515	ELECTRODE HOLDER	10
4	CS86569	GAS DISTRIBUTOR	1
5	CS86571	LINER	1
6	CS86578	ELECTRODE GEN PURPOSE	10
	CS86586	ELECTRODE LO-AMP	10
7	CS86580	TIP 100A	10
	CS86548	TIP 150A	10
	CS86575	TIP 200A	10
	CS86582	TIP 300A	10
	CS86572	TIP 400A	10
8	CS86512	GASKET	10
9	CS86581	OUTER INSULATOR	2
10	CS86514	END PIECE	5
11	CS86515	END CAP	2

REPLACEMENT PARTS SUITABLE FOR:

THERMAL DYNAMICS®

M-200 CC-65, CC-66, TA-500, TAC-500

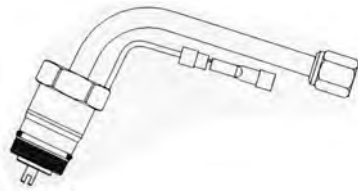


ITEM	CATALOG NUMBER	DESCRIPTION	STD. QTY
1	CS86054	TORCH HEAD	1
N/S	CS91720	POSITIONING TUBE	1
N/S	CS86522	END CAP	1
2	CS86060	OUTER INSULATOR	1
3	CS91640	COOLANT TUBE	1
4	CS91642	ELECTRODE SEAT	5
5	CS91662	ELECTRODE 1000A	5
	CS92841	ELECTRODE REV SWIRL	5
	CS91641	ELECTRODE 500A	5
6	CS86042	TIP 250A	10
	CS86043	TIP 350A	10
	CS86044	TIP 500A	10
	CS86045	TIP 750A	10
	CS86046	TIP 1000A	10
	CS86068	TIP 1000A HEAVY DUTY	5
	CS86047	TIP 500A GOUGING	5
7	CS92210	INNER TIP RETAINER	1
8	CS92451	COOLANT BAFFLE	1
9	CS86006	END PIECE WATER SHIELD	5
	CS80607	END PIECE GAS SHIELD	2
	CS86029	END PIECE Ar/H ₂ SECONDARY	1
10	CS80563	O-RING	10
11	CS86057	END CAP HEAVY DUTY	1
	CS86077	END CAP UNDERWATER	1
	CS86056	END CAP	1
12	CS86059	COLLAR	1

REPLACEMENT PARTS SUITABLE FOR:

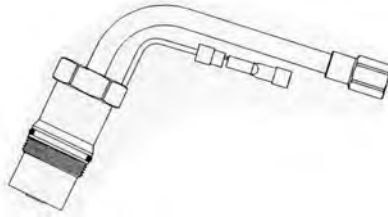
TRAFIMET®

TRAFIMET® A81



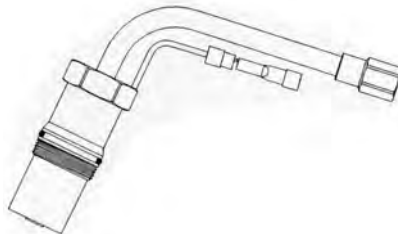
ITEM	CATALOG NUMBER	DESCRIPTION	STD. QTY
	01001/KIT	TORCH HEAD COMPLETE WITH HANDLE	
	03050LT	HAND TORCH, 6 m (20 FT) LEADS - 1/8 G	
	03150LT	HAND TORCH, 12 m (40 FT) LEADS - 1/8 G	

TRAFIMET® A101



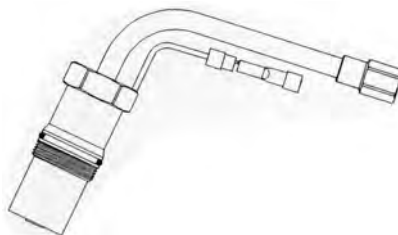
ITEM	CATALOG NUMBER	DESCRIPTION	STD. QTY
	01071/KIT	TORCH HEAD COMPLETE WITH HANDLE	
	03070LT	HAND TORCH, 6 m (20 FT) LEADS - 1/8 G	
	03170LT	HAND TORCH, 12 m (40 FT) LEADS - 1/8 G	
	03071LT	HAND TORCH, 6 m (20 FT) LEADS - EURO CONNECTOR	
	03171LT	HAND TORCH, 12 m (40 FT) LEADS - EURO CONNECTOR	

TRAFIMET® A141



ITEM	CATALOG NUMBER	DESCRIPTION	STD. QTY
	01091/KIT	TORCH HEAD COMPLETE WITH HANDLE	
	03090LT	HAND TORCH, 6 m (20 FT) LEADS - 1/8 G	
	03190LT	HAND TORCH, 12 m (40 FT) LEADS - 1/8 G	
	03091LT	HAND TORCH, 6 m (20 FT) LEADS - EURO CONNECTOR	
	03191LT	HAND TORCH, 12 m (40 FT) LEADS - EURO CONNECTOR	

TRAFIMET® A151

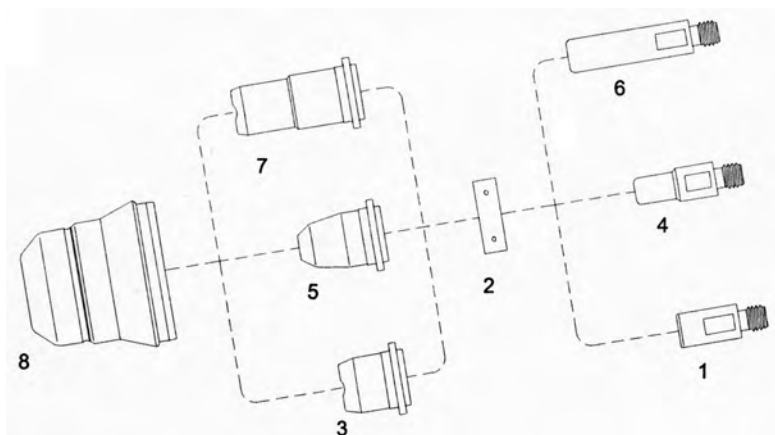


ITEM	CATALOG NUMBER	DESCRIPTION	STD. QTY
	02001/KIT	TORCH HEAD COMPLETE WITH HANDLE	
	04050LT	HAND TORCH, 6 m (20 FT) LEADS - 1/8 G	
	04150LT	HAND TORCH, 12 m (40 FT) LEADS - 1/8 G	
	04051LT	HAND TORCH, 6 m (20 FT) LEADS - EURO CONNECTOR	
	04151LT	HAND TORCH, 12 m (40 FT) LEADS - EURO CONNECTOR	

REPLACEMENT PARTS SUITABLE FOR:

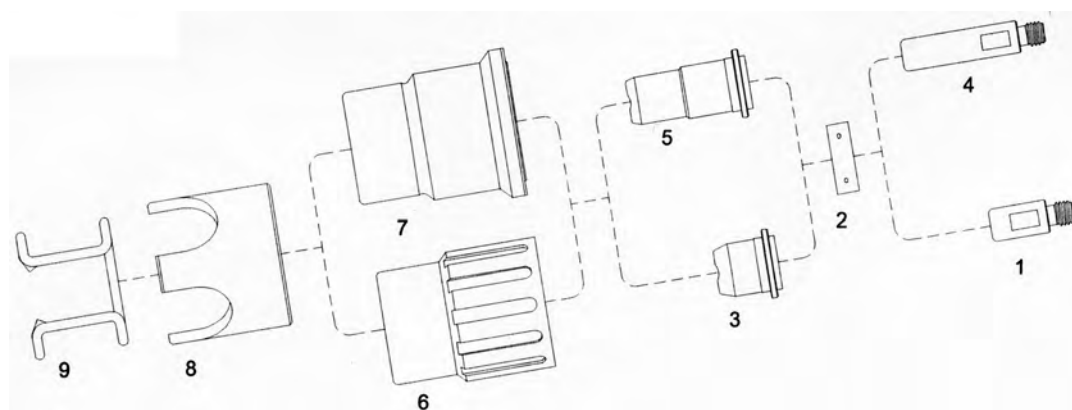
TRAFIMET®

S 30® / S 45®



ITEM	CATALOG NUMBER	DESCRIPTION	STD. QTY
1	CSPR105	ELECTRODE	10
2	CSPE106	SWIRL RING	5
3	CSPD102-10	TIP Ø 1.0	10
4	CSPR110	ELECTRODE 20-30A	10
5	CSPD116-08	TIP 0.8 20-30A	10
6	CSPR106	EXTENDED ELECTRODE	10
7	CSPD103-09	EXTENDED TIP 0.9	10
8	CSPD116	NOZZLE RETAINING CAP	1

A 53® / S 54®

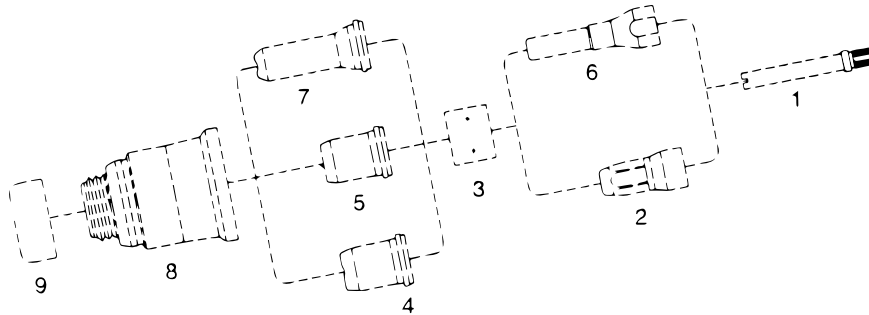


ITEM	CATALOG NUMBER	DESCRIPTION	STD. QTY
1	CSPR105	ELECTRODE	10
2	CSPE106	SWIRL RING	5
3	CSPD102-10	TIP 1.0	10
4	CSPR106	EXTENDED ELECTRODE	10
5	CSPD103-09	EXTENDED TIP 0.9	10
6	CSPD103-10	EXTENDED TIP 1.0	10
6	CSPC105	RETAINING CAP (A 53)	2
7	CSPC115	RETAINING CAP (S 54)	2
8	CSCV33	SPACER CROWN	2
9	CSCV28	SPACER SPRING	10
N/S	CS51861	CIRCLE CUTTING ATTACHMENT	1
N/S	CS51817	CUTTING GUIDE	1

REPLACEMENT PARTS SUITABLE FOR:

TRAFIMET®

S 74® / S 75®

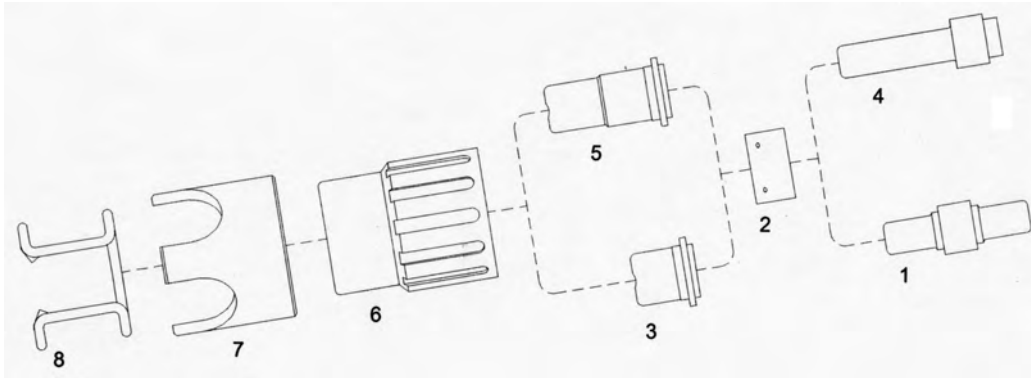


ITEM	CATALOG NUMBER	DESCRIPTION	STD. QTY
1	CSFH0647	DISSUSOR	5
2	CSPR0117	ELECTRODE - HF	5
3	CSPE0112	SWIRL RING - VESPEL	10
4	CSPD011410	TIP 1.0	10
	CSPD011412	TIP 1.2	10
5	** _____	FLAT TIP	10
6	CSPR0119	EXTENDED ELECTRODE - HF	2
7	CSPD0118	EXTENDED TIP	2
8	CSPC0114	NOZZLE RETAINING CAP	2
9	CSCV0076	END CUP 2	

REPLACEMENT PARTS SUITABLE FOR:

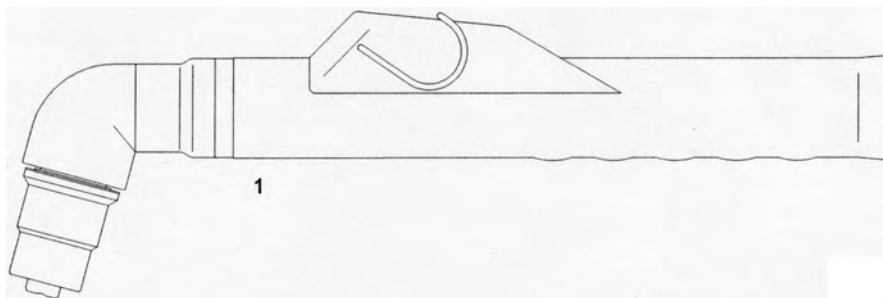
TRAFIMET®

A 60®



ITEM	CATALOG NUMBER	DESCRIPTION	STD. QTY
1	CSPR107	ELECTRODE	10
2	CSPE107	SWIRL RING	5
3	CSPD105-10	TIP 1.0	10
	CSPD105-11	TIP 1.1	10
4	CSPR108	EXTENDED ELECTRODE	10
5	CSPD106-09	EXTENDED TIP 0.9	10
	CSPD106-12	EXTENDED TIP 1.2	10
6	CSPC105	RETAINING CAP	2
7	CSCV33	SPACER CROWN	2
8	CSCV28	SPACER SPRING	10
N/S	CS51861	CIRCLE CUTTING ATTACHMENT	1
N/S	CS51817	CUTTING GUIDE	1

A 60®

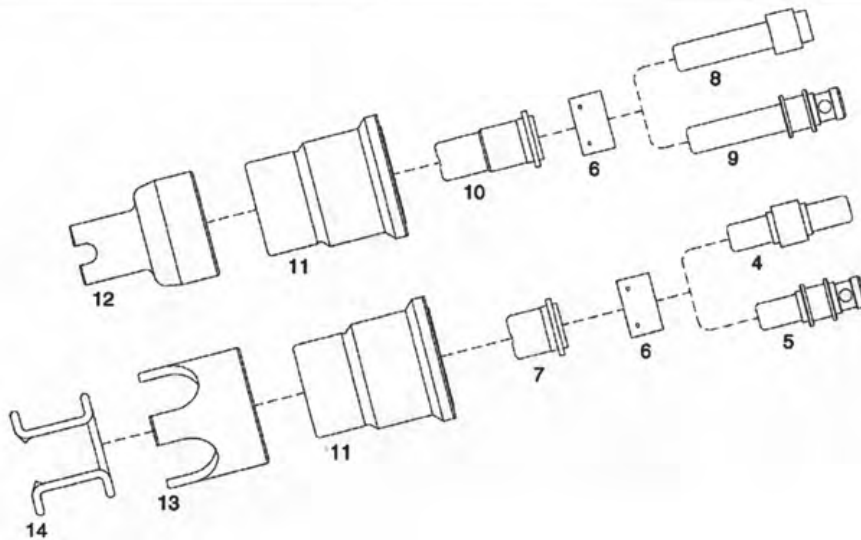
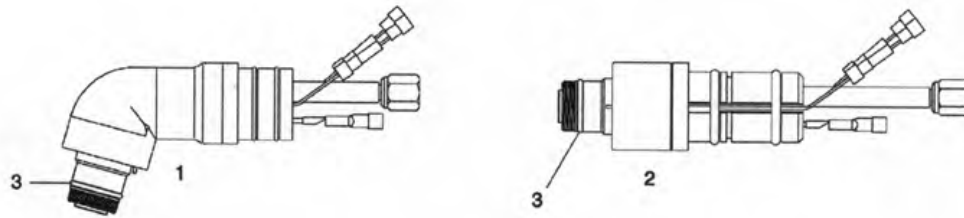


ITEM	CATALOG NUMBER	DESCRIPTION	STD. QTY
1	CSPF107	KIT "A 80" FOR REPLACING "A 60"	1
	COMPLETE WITH	:CONSUMABLE PARTS "A 80"	
		HANDGRIP	
		END FITTING FOR "A 60" CONNECTION	

REPLACEMENT PARTS SUITABLE FOR:

TRAFIMET®

A 80® / P 80®

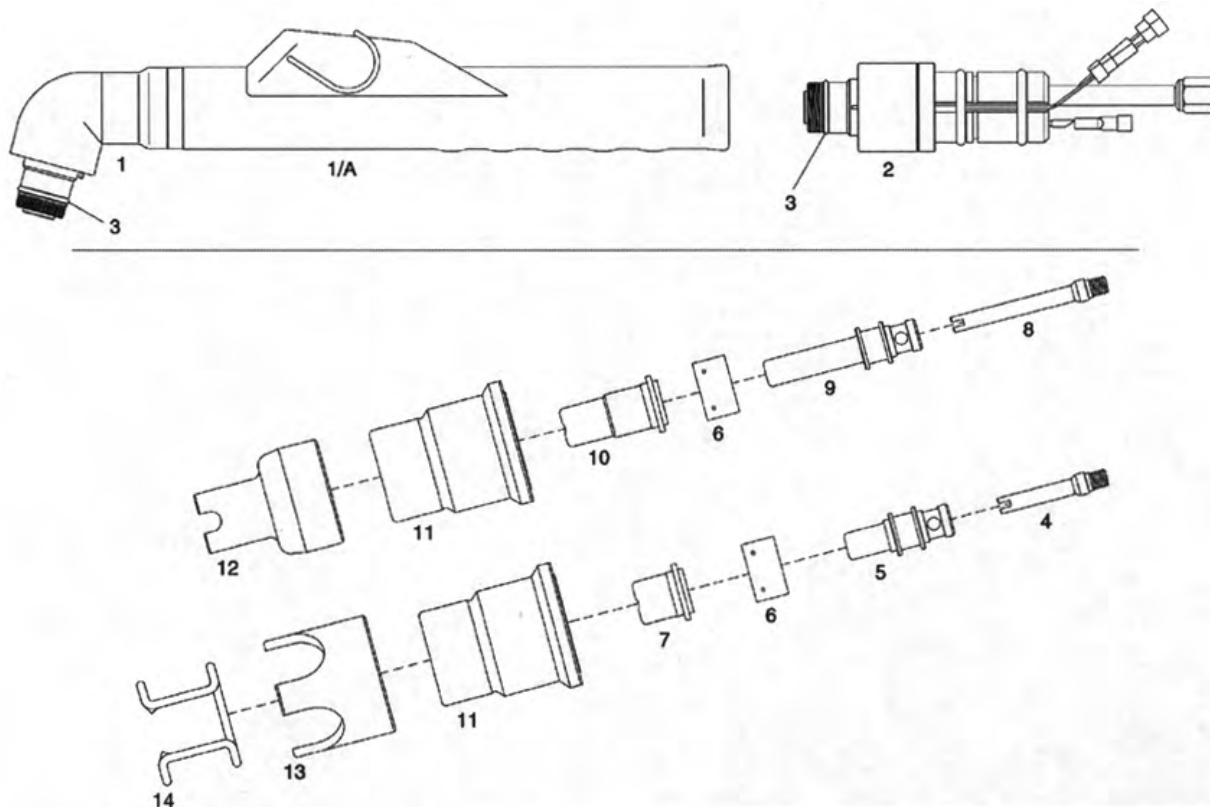


ITEM	CATALOG NUMBER	DESCRIPTION	STD. QTY
N/S	CSPA170	HAND TORCH COMPLETE WITH 6 m CABLE (3/8 G)	1
N/S	CSPA1402	HAND TORCH COMPLETE WITH 6 m CABLE (CENTRAL CONNECTOR)	1
N/S	CSPA180	MACHINE TORCH COMPLETE WITH 6 m CABLE (3/8 G)	1
N/S	CSPA181	MACHINE TORCH COMPLETE WITH 6 m CABLE (CENTRAL CONNECTOR)	1
1	CSPF119	70° TORCH HEAD	1
N/S	CS04280/C	HANDGRIP WITH MICROSWITCH	1
2	CSPF120	180° TORCH HEAD	1
N/S	CSTP61	MACHINE HANDLE	1
3	CSEA125	O-RING	20
4	CSPR107	ELECTRODE	10
5	CSPR109	ELECTRODE LONG LIFE	10
6	CSPE107	SWIRL RING	5
7	CSPD105-10	TIP 1.0	10
	CSPD105-11	TIP 1.1	10
	CSPD105-12	TIP 1.2	10
8	CSPR108	EXTENDED ELECTRODE	10
9	CSPR115	EXTENDED ELECTRODE LONG LIFE	10
10	CSPD106-10	EXTENDED TIP 1.0	10
	CSPD106-12	EXTENDED TIP 1.2	10
11	CSPC115	RETAINING CAP	2
12	CSCV0201	SPACER FOR CONTACT CUTTING	2
13	CSCV33	SPACER CROWN	2
14	CS7420089	SPACER SPRING	10
N/S	CSPF107	KIT FOR REPLACING "A 60"	1
N/S	CS06880	AIR AND POWER CABLE 6 m (3/8G-1/4G) HAND MACHINE TORCH	1
N/S	CS51861	CIRCLE CUTTING GUIDE	1
N/S	CS51817	CUTTING GUIDE	1

REPLACEMENT PARTS SUITABLE FOR:

TRAFIMET®

ERGOCUT® A 81® / AUTOCUT® P 81®

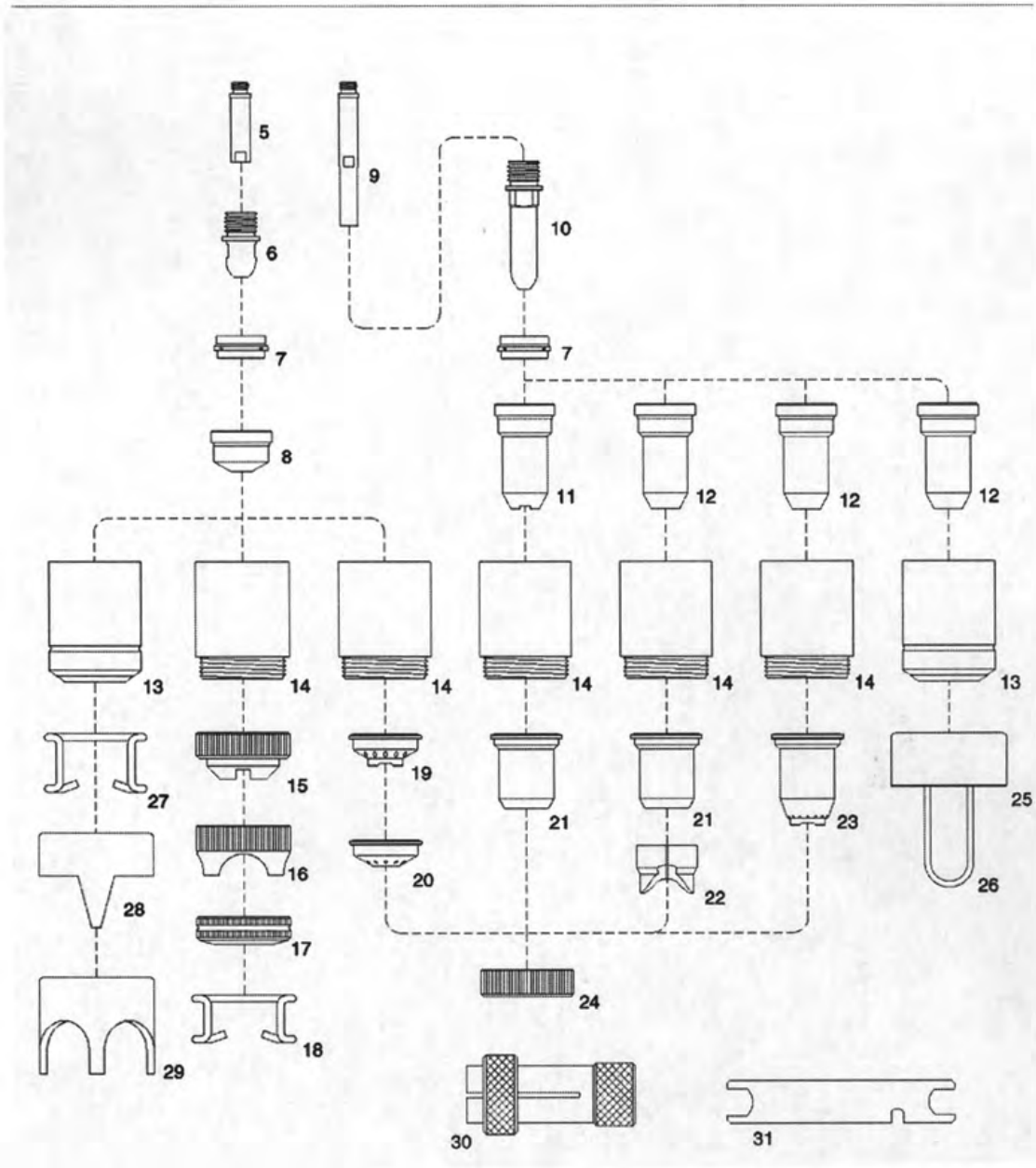
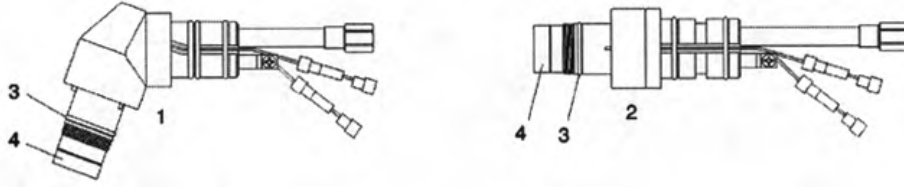


ITEM	CATALOG NUMBER	DESCRIPTION	STD. QTY
N/S	CSPA1400/1404	HAND TORCH COMPLETE WITH 6 m CABLE (3/8 G - 1/4G)	1
N/S	CSPA1402	HAND TORCH COMPLETE WITH 6 m CABLE (CENTRAL CONNECTOR)	1
N/S	CSPA180	MACHINE TORCH COMPLETE WITH 6 m CABLE (3/8 G)	1
N/S	CSPA181	MACHINE TORCH COMPLETE WITH 6 m CABLE (CENTRAL CONNECTOR)	1
1	CSPF0140	70° TORCH HEAD WITH HANDLE	1
1/A	CS04280/C	HANDGRIP WITH MICROSWITCH	1
2	CSPF0120	180° TORCH HEAD	1
N/S	CSTP61	MACHINE HANDLE	1
3	CSEA125	O-RING	20
4	CSFH0560	DIFFUSOR	5
5	CSPR109	ELECTRODE LONG LIFE	10
6	CSPE107	SWIRL RING	5
7	CSPD105-10	TIP 1.0	10
	CSPD105-11	TIP 1.1	10
	CSPD105-12	TIP 1.2	10
8	CSFH0561	EXTENDED DIFFUSOR	5
9	CSPR115	EXTENDED ELECTRODE LONG LIFE	10
10	CSPD106-10	EXTENDED TIP 1.0	10
	CSPD106-12	EXTENDED TIP 1.2	10
11	CSPC115	RETAINING CAP	2
12	CSCV0201	SPACER FOR CONTAC CUTTING	1
13	CSCV33	SPACER CROWN	1
14	CSCV28	SPACER SPRING	10
N/S	CSPH0130/0132	AIR AND POWER CABLE 6 m (3/8G-1/4G)	1
N/S	CS51861	CIRCLE CUTTING GUIDE	1
N/S	CS51817	CUTTING GUIDE	1

REPLACEMENT PARTS SUITABLE FOR:

TRAFIMET®

A 90° / P 90°



REPLACEMENT PARTS SUITABLE FOR:
TRAFIMET®

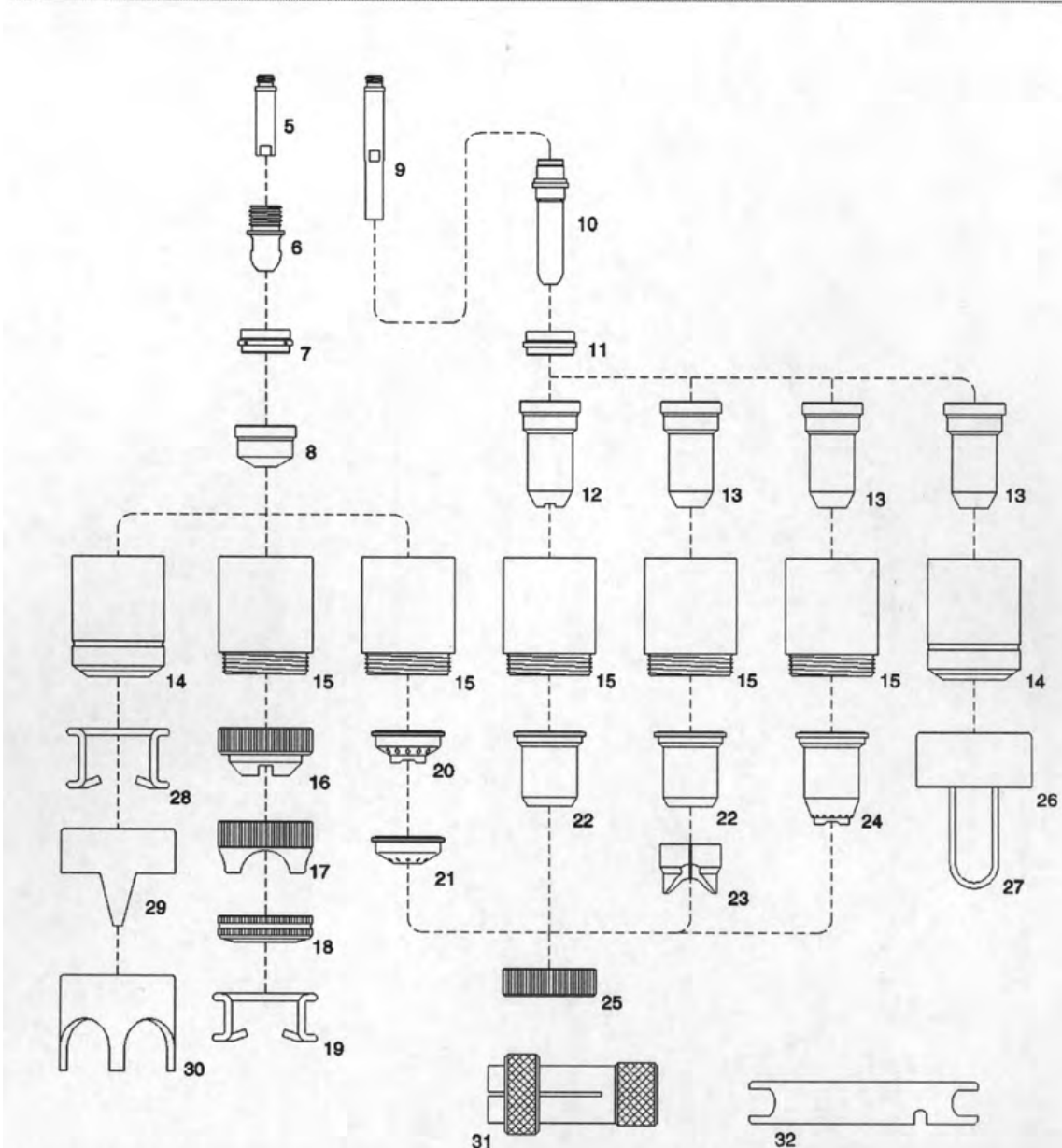
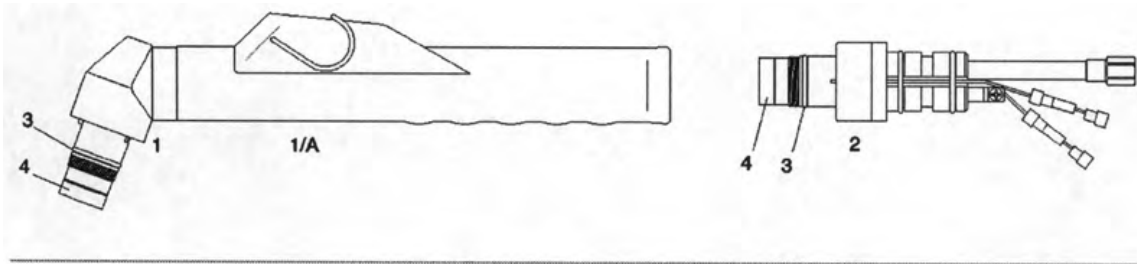
A 90° / P 90°

ITEM	CATALOG NUMBER	DESCRIPTION	STD. QTY
N/S	CSPA109	HAND TORCH COMPLETE WITH 6 m CABLE (M14X1)	1
N/S	CS06051	HAND TORCH COMPLETE WITH 6 m CABLE (CENTRAL CONNECTOR)	1
N/S	CSPA209	HAND TORCH COMPLETE WITH 12 m CABLE (M14X1)	1
N/S	CS06151	HAND TORCH COMPLETE WITH 12 m CABLE (CENTRAL CONNECTOR)	1
N/S	CSPA110	MACHINE TORCH COMPLETE WITH 6 m CABLE (M14X1)	1
N/S	CSPA111	MACHINE TORCH COMPLETE WITH 6 m CABLE (CENTRAL CONNECTOR)	1
N/S	CS06750	MACHINE TORCH COMPLETE WITH 12 m CABLE (M14X1)	1
N/S	CS06751	MACHINE TORCH COMPLETE WITH 12 m CABLE (CENTRAL CONNECTOR)	1
1	CSPF109	70° TORCH HEAD	1
N/S	CS07301	HANDGRIP COMPLETE WITH SWITCH	1
N/S	CS07301.20	SWITCH	1
2	CSPF115	180° TORCH HEAD	1
N/S	CS03310	MACHINE HANDLE	1
3	CSEA131	O-RING	20
4	CS60085	FRONT INSULATOR	2
5	CS06004	AIR DIFFUSOR	5
6	CSPR101	ELECTRODE	10
7	CSPE101	SWIRL RING	5
8	CSPD101-11	TIP 1.1	10
	CSPD101-14	TIP 1.4	10
	CSPD101-17	TIP 1.7	10
9	CS06005	EXTENDED DIFFUSOR	5
10	CS52538	EXTENDED ELECTRODE	10
11	CS51159	EXTENDED TIP (MAX 50A)	10
12	CS51159.14	EXTENDED TIP 1.4	10
	CS51159.17	EXTENDED TIP 1.7	10
13	CSPC109/111	RETAINING CAP	1
14	CSPC113	CONTACT RETAINING CAP - FIBER GLASS	1
	CSPC113/V	CONTACT RETAINING CAP - MAX. LIFE	1
15	CSCV23	SPACER FOR CONTACT CUTTING	5
16	CSCV39	LARGE SPACER FOR CONTACT CUTTING	5
17	CS51952	SPRING HOLDER PROTECTION NUT	5
18	CS51911	SPACER SPRING (FITS OVER CS51952)	10
19	CS51950	SPACER FOR CONTACT CUTTING (HAND)	5
20	CS51951	SHIELD (MACH.)	5
21	CSCV08	EXTENDED SHIELD (HAND) (MAX. 50A)	5
22	CS51974	SPACER FOR EXTENDED TIPS HIGH AMP.	5
23	CSCV09	EXTENDED SPACER (HAND)	5
24	CS51959	LOCKING NUT	5
25	CS60380	SPACER W/EXTENDED SPRINGS	2
26	CS60381	EXTENDED SPRINGS (FITS OVER CS60380)	20
27	CS1386	SPACER SPRING	10
28	CSCV12	DOUBLE POINTED SPACER	2
29	CSCV14	SPACER CROWN	2
30	CSGR60	EXTRACTOR FOR SWIRL RING	1
31	CS60368	WRENCH FOR ELECTRODE	5
N/S	CS04224	AIR AND POWER CABLE 6 m (M14X1) HAND TORCH	1
N/S	CS04234	AIR AND POWER CABLE 12 m (M14X1) HAND TORCH	1
N/S	CS04222	AIR AND POWER CABLE 6 m (M14X1) MACHINE TORCH	1
N/S	CS04232	AIR AND POWER CABLE 12 m (M14X1) MACHINE TORCH	1
N/S	CS51851	CIRCLE CUTTING ATTACHMENT	1
N/S	CS51807	CUTTING GUIDE	1

REPLACEMENT PARTS SUITABLE FOR:

TRAFIMET®

ERGOCUT® A 101® / AUTOCUT® P 101®



REPLACEMENT PARTS SUITABLE FOR:
TRAFIMET®

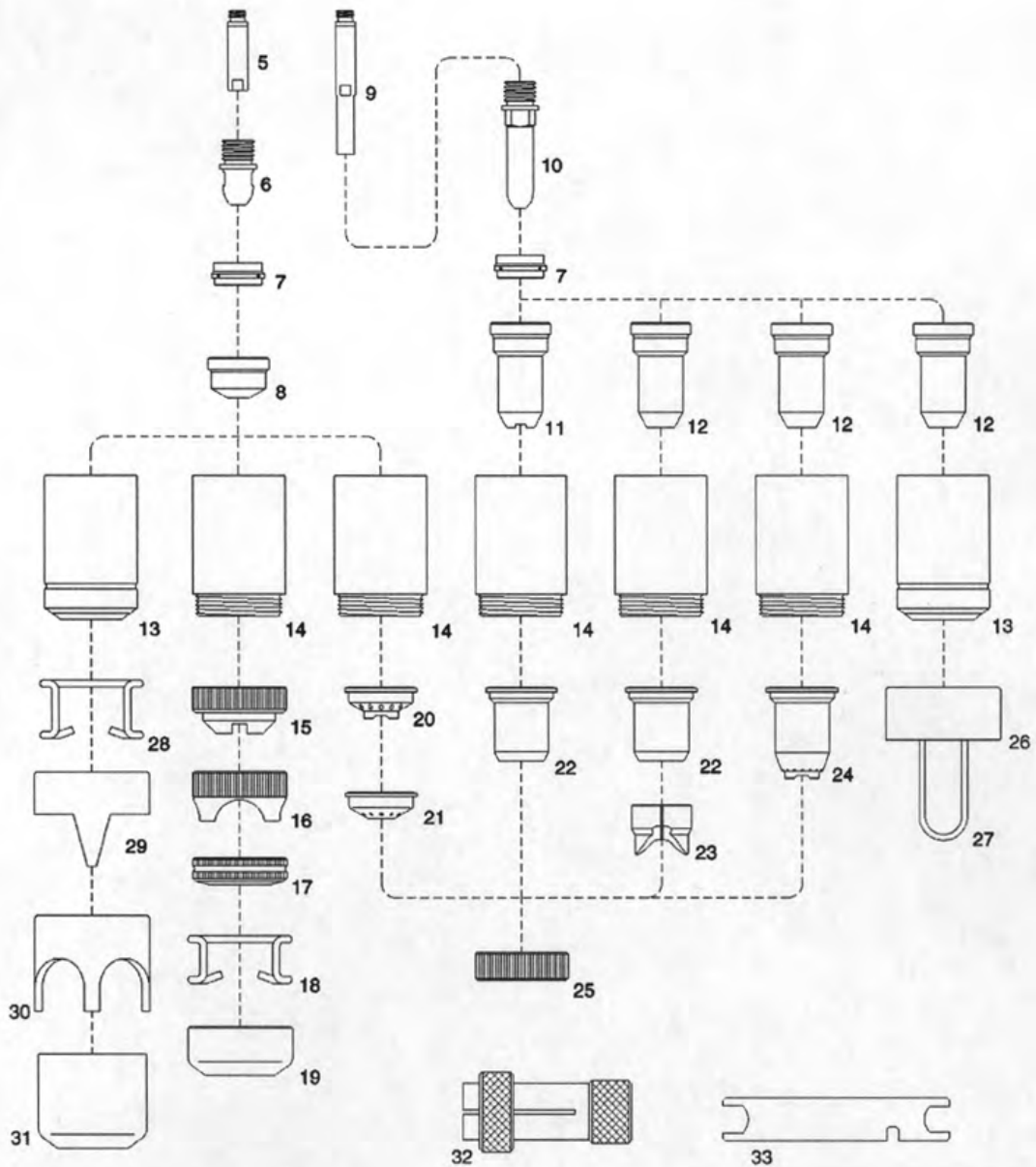
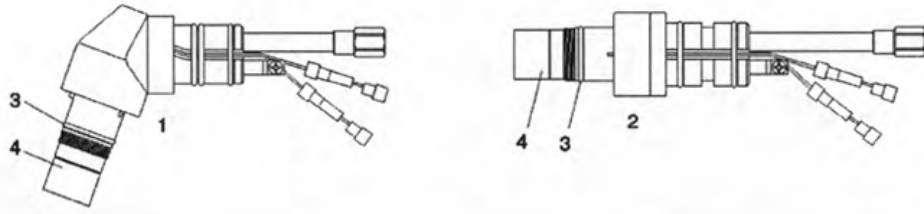
ERGOCUT® A 101® / AUTOCUT® P 101®

ITEM	CATALOG NUMBER	DESCRIPTION	STD. QTY
N/S	CSPA1450/1454	HAND TORCH COMPLETE WITH 6 m CABLE (M14X1 - 1/4G)	1
N/S	CSPA1452	HAND TORCH COMPLETE WITH 6 m CABLE (CENTRAL CONNECTOR)	1
N/S	CS06150/C	HAND TORCH COMPLETE WITH 12 m CABLE (M14X1 - 1/4G)	1
N/S	CS06151/C	HAND TORCH COMPLETE WITH 12 m CABLE (CENTRAL CONNECTOR)	1
N/S	CSPA110	MACHINE TORCH COMPLETE WITH 6 m CABLE (M14X1 - 1/4G)	1
N/S	CSPA111	MACHINE TORCH COMPLETE WITH 6 m CABLE (CENTRAL CONNECTOR)	1
N/S	CS06750	MACHINE TORCH COMPLETE WITH 12 m CABLE (M14X1 - 1/4G)	1
N/S	CS06751	MACHINE TORCH COMPLETE WITH 12 m CABLE (CENTRAL CONNECTOR)	1
1	CSPF0145	70° TORCH HEAD WITH HANDLE	1
1/A	CS04280/C	HANDGRIP WITH MICROSWITCH	1
2	CSPF115	180° TORCH HEAD	1
N/S	CS03310	MACHINE HANDLE	1
3	CSEA131	O-RING	20
4	CS60085	FRONT INSULATOR	2
5	CS06004	AIR DIFFUSOR	5
6	CSPR101	ELECTRODE	10
7	CSPE101	SWIRL RING	5
8	CSPD101-11	TIP 1.1	10
	CSPD101-14	TIP 1.4	10
	CSPD101-17	TIP 1.7	10
9	CS06005	EXTENDED DIFFUSOR	5
10	CSPR116	EXTENDED ELECTRODE	10
11	CSPE103	INSULATING SPACER	5
12	CSPD111	EXTENDED TIP (MAX 50A)	10
13	CSPD117-14	EXTENDED TIP 1.4	10
	CSPD117-17	EXTENDED TIP 1.7	10
14	CSPC109/111	RETAINING CAP	1
15	CSPC113	CONTACT RETAINING CAP - FIBER GLASS	1
	CSPC113/V	CONTACT RETAINING CAP - MAX. LIFE	1
16	CSCV23	SPACER FOR CONTACT CUTTING	5
17	CSCV39	LARGE SPACER FOR CONTACT CUTTING	5
18	CS51952	SPRING HOLDER PROTECTION NUT	5
19	CS51911	SPACER SPRING (FITS OVER CS51952)	10
20	CS51950	SPACER FOR CONTACT CUTTING (HAND)	5
21	CS51951	SHIELD (MACH.)	5
22	CSCV08	EXTENDED SHIELD (HAND) (MAX. 50A)	5
23	CS51974	SPACER FOR EXTENDED TIPS HIGH AMP.	5
24	CSCV09	EXTENDED SPACER (HAND)	5
25	CS51959	LOCKING NUT	5
26	CS60380	SPACER W/EXTENDED SPRINGS	2
27	CS60381	EXTENDED SPRINGS (FITS OVER CS60380)	20
28	CSCV11	SPACER SPRING	10
29	CSCV12	DOUBLE POINTED SPACER	2
30	CS60371	SPACER CROWN	2
31	CSGR60	EXTRACTOR FOR SWIRL RING	1
32	CS60368	WRENCH FOR ELECTRODE	5
N/S	CS04224	AIR AND POWER CABLE 6 m (M14X1) HAND TORCH	1
N/S	CS04234	AIR AND POWER CABLE 12 m (M14X1) HAND TORCH	1
N/S	CS04222	AIR AND POWER CABLE 6 m (M14X1) MACHINE TORCH	1
N/S	CS04232	AIR AND POWER CABLE 12 m (M14X1) MACHINE TORCH	1
N/S	CS51851	CIRCLE CUTTING ATTACHMENT	1
N/S	CS51807	CUTTING GUIDE	1

REPLACEMENT PARTS SUITABLE FOR:

TRAFIMET®

A 140® / P 140®



REPLACEMENT PARTS SUITABLE FOR:
TRAFIMET®

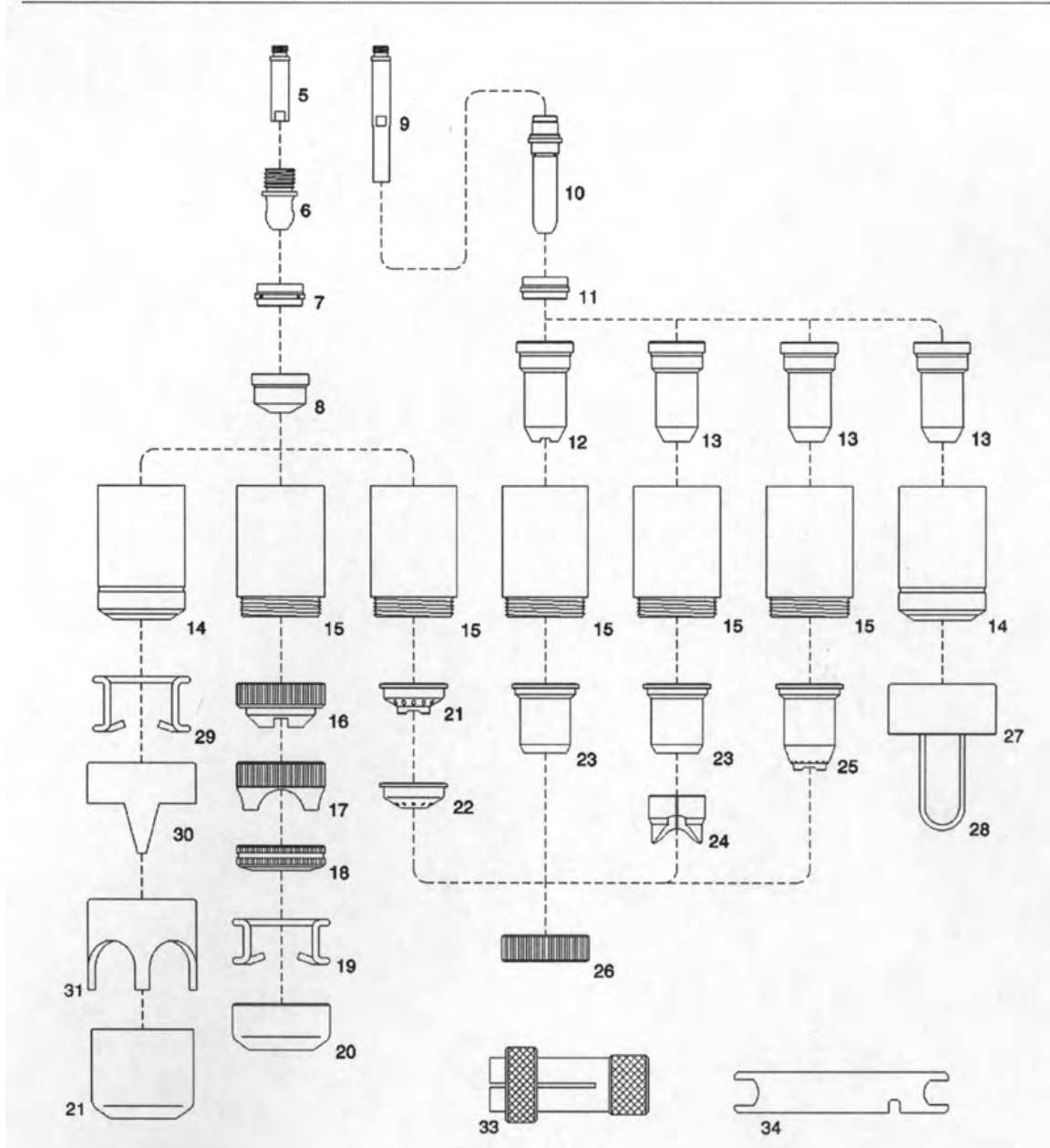
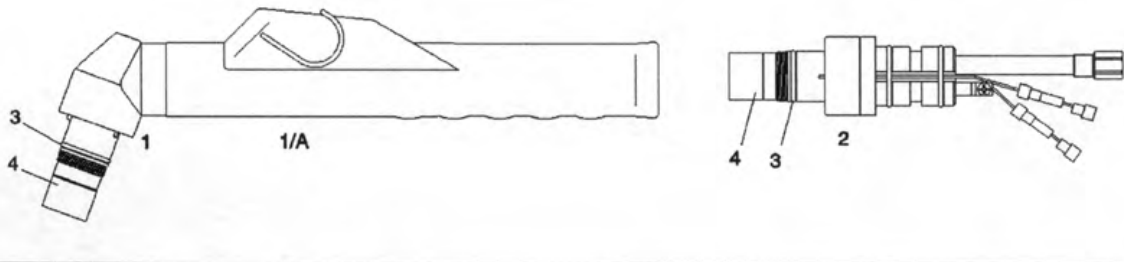
A 140® / P 140®

ITEM	CATALOG NUMBER	DESCRIPTION	STD. QTY
N/S	CSPA101	HAND TORCH COMPLETE WITH 6 m CABLE (M14X1)	1
N/S	CS06251	HAND TORCH COMPLETE WITH 6 m CABLE (CENTRAL CONNECTOR)	1
N/S	CSPA102	HAND TORCH COMPLETE WITH 12 m CABLE (M14X1)	1
N/S	CS06351	HAND TORCH COMPLETE WITH 12 m CABLE (CENTRAL CONNECTOR)	1
N/S	CSPA103	MACHINE TORCH COMPLETE WITH 6 m CABLE (M14X1)	1
N/S	CS06451	MACHINE TORCH COMPLETE WITH 6 m CABLE (CENTRAL CONNECTOR)	1
N/S	CSPA104	MACHINE TORCH COMPLETE WITH 12 m CABLE (M14X1)	1
N/S	CS06551	MACHINE TORCH COMPLETE WITH 12 m CABLE (CENTRAL CONNECTOR)	1
1	CSPF101	70° TORCH HEAD	1
N/S	CS07301	HANDGRIP COMPLETE WITH SWITCH	1
N/S	CS07301.20	SWITCH	1
2	CSPF102	180° TORCH HEAD	1
N/S	CS03310	MACHINE HANDLE	1
3	CSEA131	O-RING	20
4	CS60080	FRONT INSULATOR	2
5	CS05004	AIR DIFFUSOR	5
6	CSPR101	ELECTRODE	10
7	CSPE101	SWIRL RING	5
8	CSPD101.11	TIP 1.1	10
	CSPD101-14	TIP 1.4	10
	CSPD101-17	TIP 1.7	10
	CSPD101-19	TIP 1.9	10
	CSPD101-30	TIP GOUGING 3.0	10
9	CS05005	EXTENDED DIFFUSOR	5
10	CS52538	EXTENDED ELECTRODE	10
11	CS51159	EXTENDED TIP (MAX 50A)	10
12	CS51159.14	EXTENDED TIP 1.4	10
	CS51159.17	EXTENDED TIP 1.7	10
	CS51159.19	EXTENDED TIP 1.9	10
13	CSPC101/102	RETAINING CAP	10
14	CSPC103	CONTACT RETAINING CAP - FIBER GLASS	1
	CSPC103/V	CONTACT RETAINING CAP - MAX. LIFE	1
15	CSCV23	SPACER FOR CONTACT CUTTING	12
16	CSCV39	LARGE SPACER FOR CONTACT CUTTING	2
17	CS51952	SPRING HOLDER PROTECTION NUT	5
18	CS51911	SPACER SPRING (FITS OVER CS51952)	10
19	CS51953	SPACER GOUGING	5
20	CS51950	SPACER FOR CONTACT CUTTING (HAND)	5
21	CS51951	SHIELD (MACH.)	5
22	CSCV08	EXTENDED SHIELD (HAND) (MAX. 50A)	5
23	CS51954	SPACER FOR EXTENDED TIPS HIGH AMP.	5
24	CS51958	EXTENDED SPACER (HAND)	5
25	CS51959	LOCKING NUT	5
26	CS60380	SPACER W/EXTENDED SPRINGS	2
27	CS60381	EXTENDED SPRINGS (FITS OVER CS60380)	20
28	CS1386	SPACER SPRING	10
29	CS1408	DOUBLE POINTED SPACER	2
30	CSCV14	SPACER CROWN	2
31	CSCV13	SPACER GOUGING	2
32	CSGR60	EXTRACTOR FOR SWIRL RING	1
33	CS60368	WRENCH FOR ELECTRODE	5
N/S	CS04220	AIR AND POWER CABLE 6 m (M14X1) HAND TORCH	1
N/S	CS04230	AIR AND POWER CABLE 12 m (M14X1) HAND TORCH	1
N/S	CS04222	AIR AND POWER CABLE 6 m (M14X1) MACHINE TORCH	1
N/S	CS04232	AIR AND POWER CABLE 12 m (M14X1) MACHINE TORCH	1
N/S	CS51851	CIRCLE CUTTING ATTACHMENT	1
N/S	CS51807	CUTTING GUIDE	1

REPLACEMENT PARTS SUITABLE FOR:

TRAFIMET®

ERGOCUT® A 141® / AUTOCUT® P141®



REPLACEMENT PARTS SUITABLE FOR:
TRAFIMET®

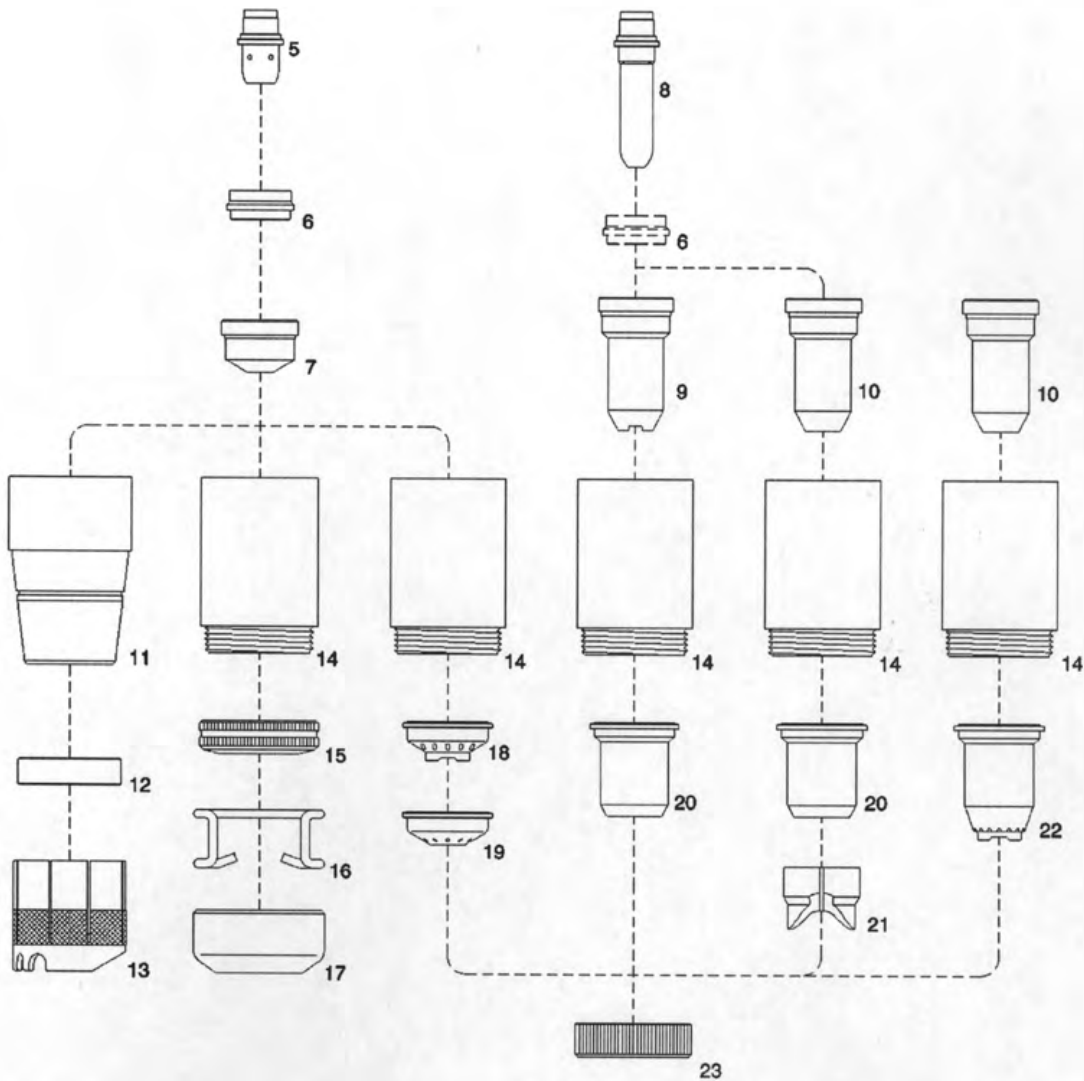
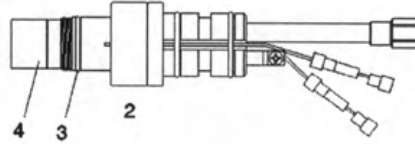
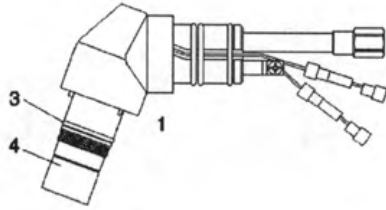
ERGOCUT® A 141® / AUTOCUT® P141®

ITEM	CATALOG NUMBER	DESCRIPTION	STD. QTY
N/S	CSPA1500/1502	HAND TORCH COMPLETE WITH 6 m CABLE (M14X1 - 1/4G)	1
N/S	CSPA1504	HAND TORCH COMPLETE WITH 6 m CABLE (CENTRAL CONNECTOR)	1
N/S	CSPA1501	HAND TORCH COMPLETE WITH 12 m CABLE (M14X1 - 1/4G)	1
N/S	CSPA1505	HAND TORCH COMPLETE WITH 12 m CABLE (CENTRAL CONNECTOR)	1
N/S	CSPA103	MACHINE TORCH COMPLETE WITH 6 m CABLE (M14X1 - 1/4G)	1
N/S	CSPA0145	MACHINE TORCH COMPLETE WITH 6 m CABLE (CENTRAL CONNECTOR)	1
N/S	CSPA104	MACHINE TORCH COMPLETE WITH 12 m CABLE (M14X1 - 1/4G)	1
N/S	CSPA0146	MACHINE TORCH COMPLETE WITH 12 m CABLE (CENTRAL CONNECTOR)	1
1	CSPF0155	70° TORCH HEAD WITH HANDLE	1
1/A	CS04280/C	HANDGRIP WITH MICROSWITCH	1
2	CSPF102	180° TORCH HEAD	1
N/S	CS03310	MACHINE HANDLE	1
3	CSEA131	O-RING	20
4	CS60080	FRONT INSULATOR	2
5	CS1378	AIR DIFFUSOR	5
6	CSPR101	ELECTRODE	10
7	CSPE101	SWIRL RING	5
8	CSPD101-11	TIP 1.1	10
	CSPD101-14	TIP 1.4	10
	CSPD101-17	TIP 1.7	10
	CSPD101-19	TIP 1.9	10
	CSPD101-30	TIP GOUGING 3.0	10
9	CS05005	EXTENDED DIFFUSOR	5
10	CSPR116	EXTENDED ELECTRODE HF	10
11	CSPE103	INSULATING SPACER	5
12	CSPD111	EXTENDED TIP 1.2 (MAX 50A)	10
13	CSPD117-14	EXTENDED TIP 1.4	10
	CSPD117-17	EXTENDED TIP 1.7	10
	CSPD117-19	EXTENDED TIP 1.9	10
14	CSPC101/102	RETAINING CAP	1
15	CSPC103	CONTACT RETAINING CAP - FIBER GLASS	1
	CSPC103/V	CONTACT RETAINING CAP - MAX. LIFE	1
16	CSCV23	SPACER FOR CONTACT CUTTING	2
17	CSCV39	LARGE SPACER FOR CONTACT CUTTING	2
18	CS51952	SPRING HOLDER PROTECTION NUT	5
19	CS51911	SPACER SPRING (FITS OVER CS51952)	10
20	CS51953	SPACER GOUGING	5
21	CS51950	SPACER FOR CONTACT CUTTING (HAND)	5
22	CS51951	SHIELD (MACH.)	5
23	CSCV08	EXTENDED SHIELD (HAND) (MAX. 50A)	5
24	CS51974	SPACER FOR EXTENDED TIPS HIGH AMP.	5
25	CSCV09	EXTENDED SPACER (HAND)	5
26	CS51959	LOCKING NUT	5
27	CS60380	SPACER W/EXTENDED SPRINGS	2
28	CS60381	EXTENDED SPRINGS (FITS OVER CS60380)	20
29	CS1386	SPACER SPRING	10
30	CS1408	DOUBLE POINTED SPACER	2
31	CS60371	SPACER CROWN	2
32	CSCV13	SPACER GOUGING	2
33	CSGR60	EXTRACTOR FOR SWIRL RING	1
34	CS60368	WRENCH FOR ELECTRODE	5
N/S	CS04220	AIR AND POWER CABLE 6 m (M14X1 1/4G) HAND TORCH	1
N/S	CS04230	AIR AND POWER CABLE 12 m (M14X1 1/4G) HAND TORCH	1
N/S	CS04222	AIR AND POWER CABLE 6 m (M14X1 1/4G) MACHINE TORCH	1
N/S	CS04232	AIR AND POWER CABLE 12 m (M14X1 1/4G) MACHINE TORCH	1
N/S	CS51851	CIRCLE CUTTING ATTACHMENT	1
N/S	CS51807	CUTTING GUIDE	1

REPLACEMENT PARTS SUITABLE FOR:

TRAFIMET®

R 145® / R 145 P®



REPLACEMENT PARTS SUITABLE FOR:
TRAFIMET®

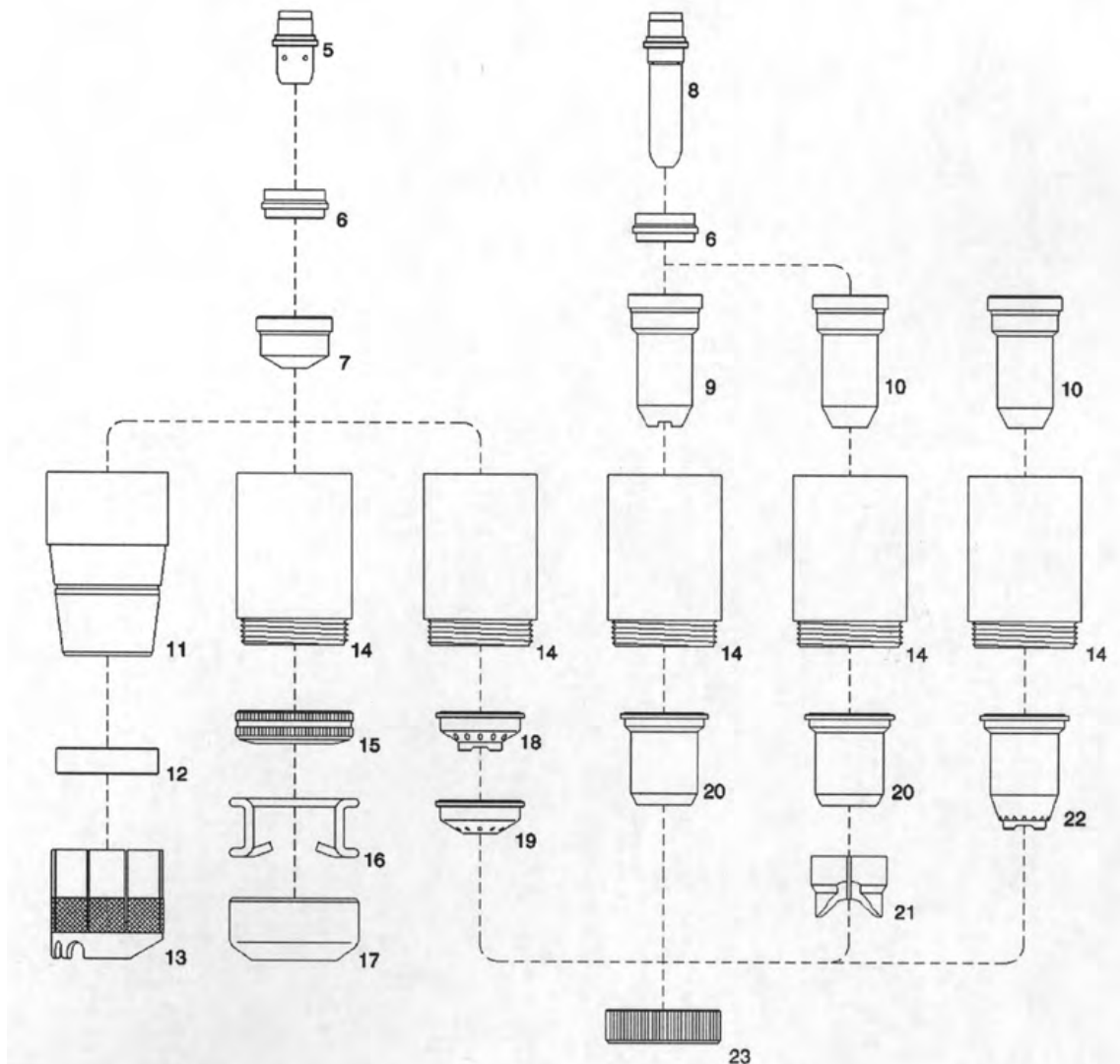
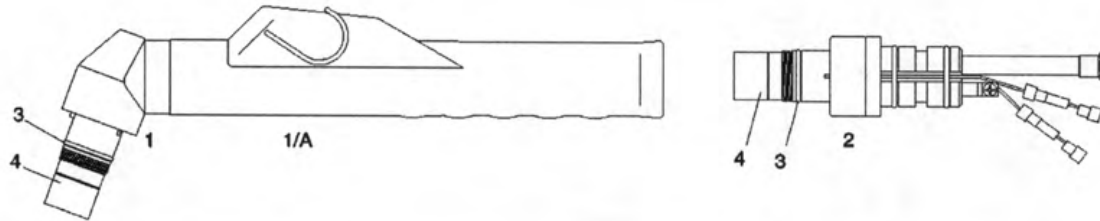
R 145® / R 145 P®

ITEM	CATALOG NUMBER	DESCRIPTION	STD. QTY
N/S	CSPA129	HAND TORCH COMPLETE WITH 6 m CABLE (M14X1)	1
N/S	CS06921/S	HAND TORCH COMPLETE WITH 6 m CABLE (CENTRAL CONNECTOR)	1
N/S	CSPA130	HAND TORCH COMPLETE WITH 12 m CABLE (M14X1)	1
N/S	CS06931/S	HAND TORCH COMPLETE WITH 12 m CABLE (CENTRAL CONNECTOR)	1
N/S	CSPA127	MACHINE TORCH COMPLETE WITH 6 m CABLE (M14X1)	1
N/S	CS06941/S	MACHINE TORCH COMPLETE WITH 6 m CABLE (CENTRAL CONNECTOR)	1
N/S	CSPA128	MACHINE TORCH COMPLETE WITH 12 m CABLE (M14X1)	1
N/S	CS06951/S	MACHINE TORCH COMPLETE WITH 12 m CABLE (CENTRAL CONNECTOR)	1
1	CSPF112	70° TORCH HEAD	1
N/S	CS07301	HANDGRIP COMPLETE WITH SWITCH	1
N/S	CS07301.20	SWITCH	1
2	CSPF111	180° TORCH HEAD	1
N/S	CS03310	MACHINE HANDLE	1
3	CSEA131	O-RING	20
4	CS60080	FRONT INSULATOR	2
5	CSPR111	ELECTRODE	10
6	CSPE103	INSULATING SPACER	5
7	CSPD109-14	TIP 1.4	10
	CSPD109-16	TIP 1.6	10
	CSPD109-18	TIP 1.8	10
	CSPD109-30	TIP GOUGING 3.0	10
8	CSPR116	EXTENDED ELECTRODE	10
9	CSPD111	EXTENDED TIP 1.2 (MAX 50A)	10
10	CSPD117-14	EXTENDED TIP 1.4	10
	CSPD117-17	EXTENDED TIP 1.7	10
	CSPD117-19	EXTENDED TIP 1.9	10
11	CSPC120	RETAINING CAP	1
12	CSBW139	NOZZLE SHIELD	5
13	CSCV1105	CAGE SPACER	2
14	CSPC103	CONTACT RETAINING CAP - FIBER GLASS	1
	CSPC103/V	CONTACT RETAINING CAP - MAX. LIFE	1
15	CS51952	SPRING HOLDER PROTECTION NUT	5
16	CS51911	SPACER SPRING (FITS OVER CS51952)	10
17	CS51953	SPACER GOUGING	5
18	CS51950	SPACER FOR CONTACT CUTTING (HAND)	5
19	CS51951	SHIELD (MACH.)	5
20	CSCV08	EXTENDED SHIELD (HAND) (MAX. 50A)	5
21	CS51974	SPACER FOR EXTENDED TIPS HIGH AMP.	5
22	CSCV09	EXTENDED SPACER (HAND)	5
23	CS51959	LOCKING NUT	5
N/S	CS04220/S	AIR AND POWER CABLE 6 m (M14X1) HAND TORCH	1
N/S	CS04230/S	AIR AND POWER CABLE 12 m (M14X1) HAND TORCH	1
N/S	CS04222/S	AIR AND POWER CABLE 6 m (M14X1) MACHINE TORCH	1
N/S	CS04232/S	AIR AND POWER CABLE 12 m (M14X1) MACHINE TORCH	1

REPLACEMENT PARTS SUITABLE FOR:

TRAFIMET®

ERGOCUT® A 151® / AUTOCUT® P151®



REPLACEMENT PARTS SUITABLE FOR:
TRAFIMET®

ERGOCUT® A 151® / AUTOCUT® P151®

ITEM	CATALOG NUMBER	DESCRIPTION	STD. QTY
N/S	CSPA1550/1552	HAND TORCH COMPLETE WITH 6 m CABLE (M14X1 - 1/4G)	1
N/S	CSPA1554	HAND TORCH COMPLETE WITH 6 m CABLE (CENTRAL CONNECTOR)	1
N/S	CSPA1551	HAND TORCH COMPLETE WITH 12 m CABLE (M14X1 - 1/4G)	1
N/S	CSPA1555	HAND TORCH COMPLETE WITH 12 m CABLE (CENTRAL CONNECTOR)	1
N/S	CSPA127	MACHINE TORCH COMPLETE WITH 6 m CABLE (M14X1 - 1/4G)	1
N/S	CSPA0252	MACHINE TORCH COMPLETE WITH 6 m CABLE (CENTRAL CONNECTOR)	1
N/S	CSPA128	MACHINE TORCH COMPLETE WITH 12 m CABLE (M14X1 - 1/4G)	1
N/S	CSPA0253	MACHINE TORCH COMPLETE WITH 12 m CABLE (CENTRAL CONNECTOR)	1
1	CSPF160	70° TORCH HEAD WITH HANDLE	1
1/A	CS04280/C	HANDGRIP WITH MICROSWITCH	1
2	CSPF111	180° TORCH HEAD	1
N/S	CS03310	MACHINE HANDLE	1
3	CSEA131	O-RING	1
4	CS60080	FRONT INSULATOR	20
5	CSPR111	ELECTRODE	2
6	CSPE103	INSULATOR SPACER	10
7	CSPD109-14	TIP 1.4	5
	CSPD109-16	TIP 1.6	10
	PD109-18	TIP 1.8	10
	CSPD109-30	TIP GOUGING 3.0	10
8	CSPR116	EXTENDED ELECTRODE	10
9	CSPD111	EXTENDED TIP 1.2 (MAX 50A)	10
10	CSPD117-14	EXTENDED TIP 1.4	10
	CSPD117-17	EXTENDED TIP 1.7	10
	CSPD117-19	EXTENDED TIP 1.9	10
11	CSCSPC120	RETAINING CAP	10
12	CSBW139	NOZZLE SHIELD	1
13	CSCV1105	CAGE SPACE	5
14	CSPC103	CONTACT RETAINING CAP - FIBER GLASS	2
	CSPC103/V	CONTACT RETAINING CAP - MAX. LIFE	1
15	CS51952	SPRING HOLDER PROTECTION NUT	1
16	CS51911	SPACER SPRING (FITS OVER CS51952)	5
17	CS51953	SPACER GOUGING	10
18	CS51950	SPACER FOR CONTACT CUTTING (HAND)	5
19	CS51951	SHIELD (MACH.)	5
20	CSCV08	EXTENDED SHIELD (HAND) (MAX. 50A)	5
21	CS51974	SPACER FOR EXTENDED TIPS HIGH AMP.	5
22	CSCV09	EXTENDED SPACER (HAND)	5
23	CS51959	LOCKING NUT	5
N/S	CS04220/S	AIR AND POWER CABLE 6 m (M14X1 1/4G) HAND TORCH	5
N/S	CS04230/S	AIR AND POWER CABLE 12 m (M14X1 1/4G) HAND TORCH	1
N/S	CS04222/S	AIR AND POWER CABLE 6 m (M14X1 1/4G) MACHINE TORCH	1
N/S	CS04232/S	AIR AND POWER CABLE 12 m (M14X1 1/4G) MACHINE TORCH	1

REPLACEMENT PARTS SUITABLE FOR:

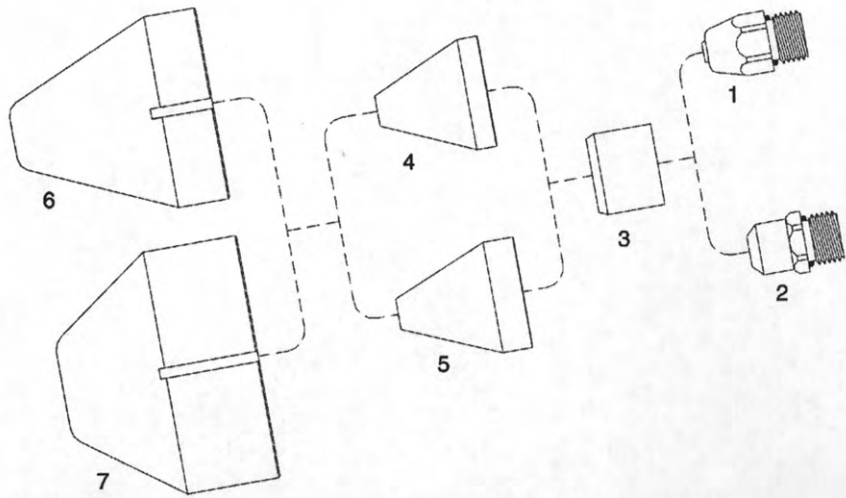
UNION CARBIDE®

PT/M-100®



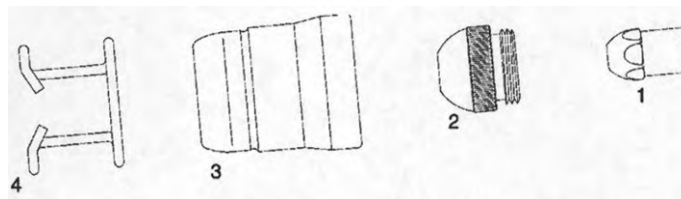
ITEM	CATALOG NUMBER	DESCRIPTION	STD. QTY
1	CS1340343	TIP 1.4	10
	CS1340369	TIP 1.6	10
	CS1340370	TIP 2.0	10
	CS1340370-25	TIP 2.5	10
2	CS134028	TIP 1.4	10
	CS134029	TIP 1.6	10

WHITNEY®



ITEM	CATALOG NUMBER	DESCRIPTION	STD. QTY
1	CS025.1044	ELECTRODE Z (LO-AMP)	10
2	CS025.1039	ELECTRODE K2	10
3	CS025.1040	SWIRL RING TEFLON	2
4	CS025.1045	NOZZLE L (LO-AMP) 1.6	5
5	CS025.1041	NOZZLE L2 2.4	5
6	CS60356	RETAINING CAP TAPERED Ø38 mm	1
7	CS025.1042	RETAINING CAP TAPERED Ø48 mm	1

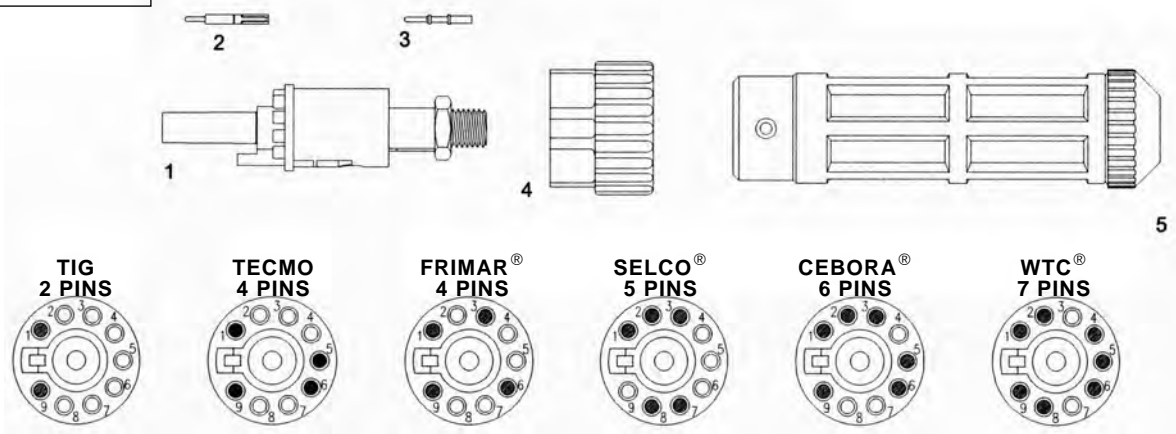
W.T.C.®



ITEM	CATALOG NUMBER	DESCRIPTION	STD. QTY
1	CS0189-H	ELECTRODE	10
2	CS0702	TIP 1.0	10
	CS0703	TIP 1.2	10
	CS0704	TIP 1.4	10
	CS0705	TIP 1.7	10
	CS0764	TIP 2.0	10
	3	CS0413	SHIELD CUP
4	CS0618	SPACER SPRING	10

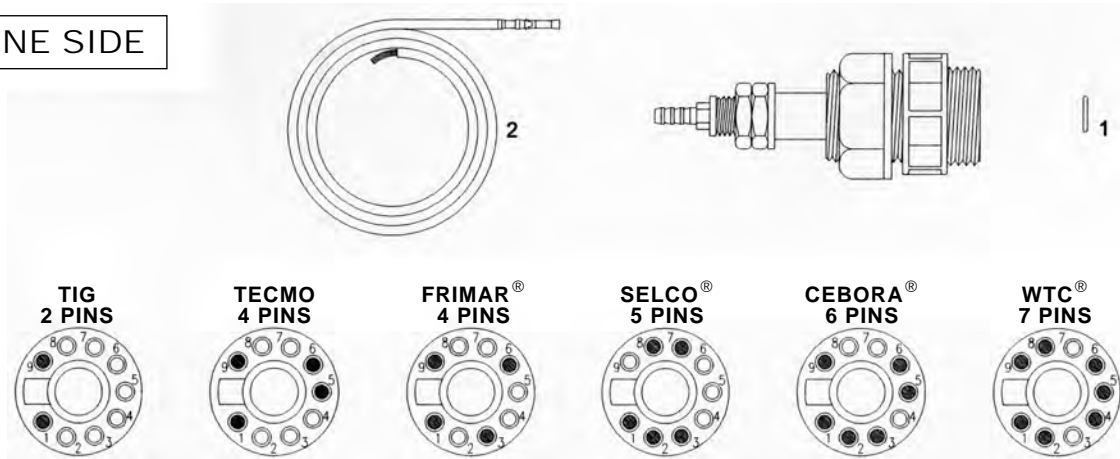
CENTRAL ADAPTORS

TORCH SIDE



ITEM	CATALOG NUMBER	DESCRIPTION	STD. QTY
	CS04260-TIG	CENTRAL ADAPTOR COMPLETE 2 PINS TIG	
	CS04260	CENTRAL ADAPTOR COMPLETE 4 PINS TEC.MO	
	CS04260-FRI	CENTRAL ADAPTOR COMPLETE 4 PINS FRIMAR®	
	CS04260-SEL	CENTRAL ADAPTOR COMPLETE 5 PINS SELCO®	
	CS04260-CEB	CENTRAL ADAPTOR COMPLETE 6 PINS CEBORA® (REF. 3.080.156)	
	CS04260-WTC	CENTRAL ADAPTOR COMPLETE 7 PINS WTC®	
	CS04260.00	CENTRAL ADAPTOR COMPLETE WITHOUT PINS	
1	CS04260.10	ADAPTOR BODY WITHOUT PINS	
2	CS04260.22	MALE/FEMALE PIN CONNECTOR PACKAGE OF 20 PIECES	
3	CS04260.23	CONTAC PIN PACKAGE OF 20 PIECES	
4	CS04260.20	ADAPTOR NUT	
5	CS04260.21	ADAPTOR SUPPORT	

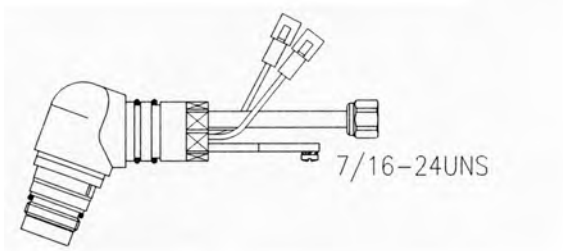
MACHINE SIDE



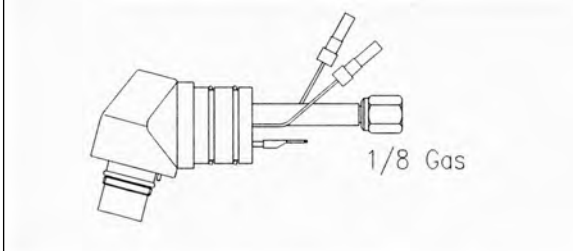
ITEM	CATALOG NUMBER	DESCRIPTION	STD. QTY
	CS04265-TIG	CENTRAL ADAPTOR COMPLETE 2 PINS TIG	
	CS04265	CENTRAL ADAPTOR COMPLETE 4 PINS TEC.MO	
	CS04265-FRI	CENTRAL ADAPTOR COMPLETE 4 PINS FRIMAR®	
	CS04265-SEL	CENTRAL ADAPTOR COMPLETE 5 PINS SELCO®	
	CS04265-CEB	CENTRAL ADAPTOR COMPLETE 6 PINS CEBORA® (REF. 3.080.155)	
	CS04265-WTC	CENTRAL ADAPTOR COMPLETE 7 PINS WTC®	
	CS04265.00	CENTRAL ADAPTOR COMPLETE WITHOUT PINS	
1	CS04265.20	O-RING PACKAGE OF 20 PIECES	
2	CS04265.21	CONTAC PIN WITH BLACK LEAD 1 mmq x 500 mm PACKAGE OF 10 PIECES	
	CS04265.22	CONTAC PIN WITH RED LEAD 1 mmq x 500 mm PACKAGE OF 10 PIECES	
	CS04265.23	CONTAC PIN WITH BLUE LEAD 1 mmq x 500 mm PACKAGE OF 10 PIECES	

END FITTINGS

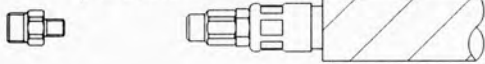
TORCH HEAD WITH 7/16 - FITTING



TORCH HEAD WITH 7/16 - FITTING



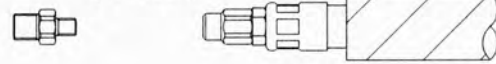
1/4-28UNF



CS04293.40

THERMAL DYNAMIC®
PCH-35/40

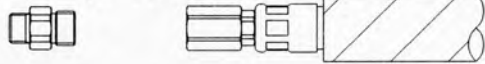
1/4-28UNF



CS04293.40

THERMAL DYNAMIC®
PCH-35/40

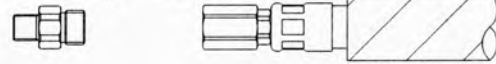
1/2-24UNS



CS04293.40

THERMAL DYNAMIC®
PCH-35/40

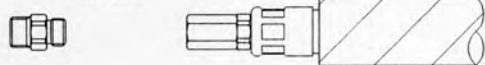
1/2-24UNS



CS04293.40

THERMAL DYNAMIC®
PCH-35/40

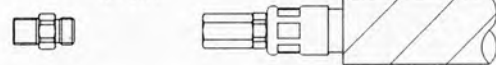
M10x1



CS04293.40

THERMAL DYNAMIC®
PCH-35/40

M10x1



CS04293.40

THERMAL DYNAMIC®
PCH-35/40

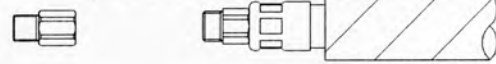
1/8 Gas



CS04293.40

THERMAL DYNAMIC®
PCH-35/40

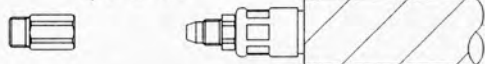
7/16-24UNS



CS04293.40

THERMAL DYNAMIC®
PCH-35/40

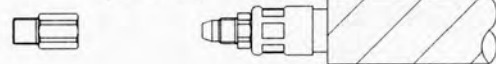
3/8-24UNF



CS04293.40

THERMAL DYNAMIC®
PCH-35/40

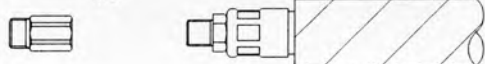
3/8-24UNF



CS04293.40

THERMAL DYNAMIC®
PCH-35/40

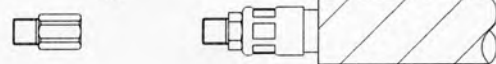
M8



CS04293.40

THERMAL DYNAMIC®
PCH-35/40

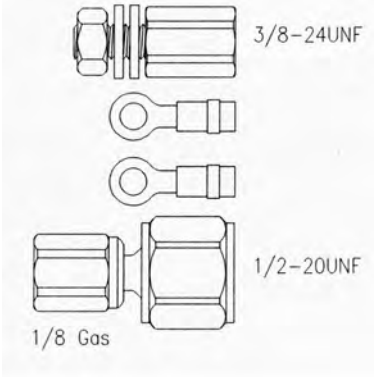
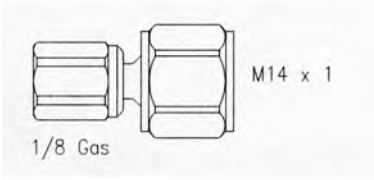
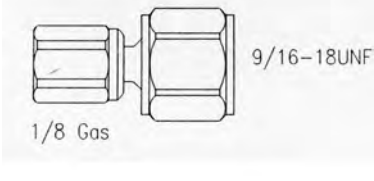
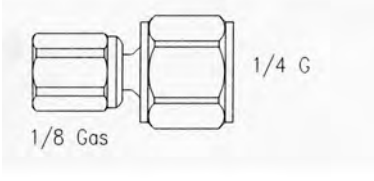
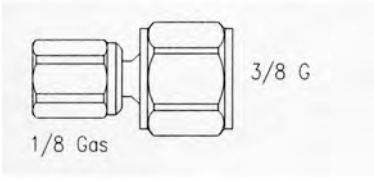
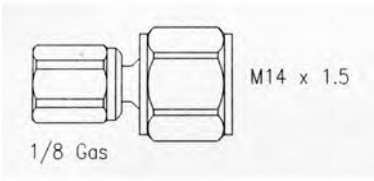
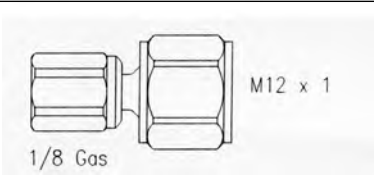
M8

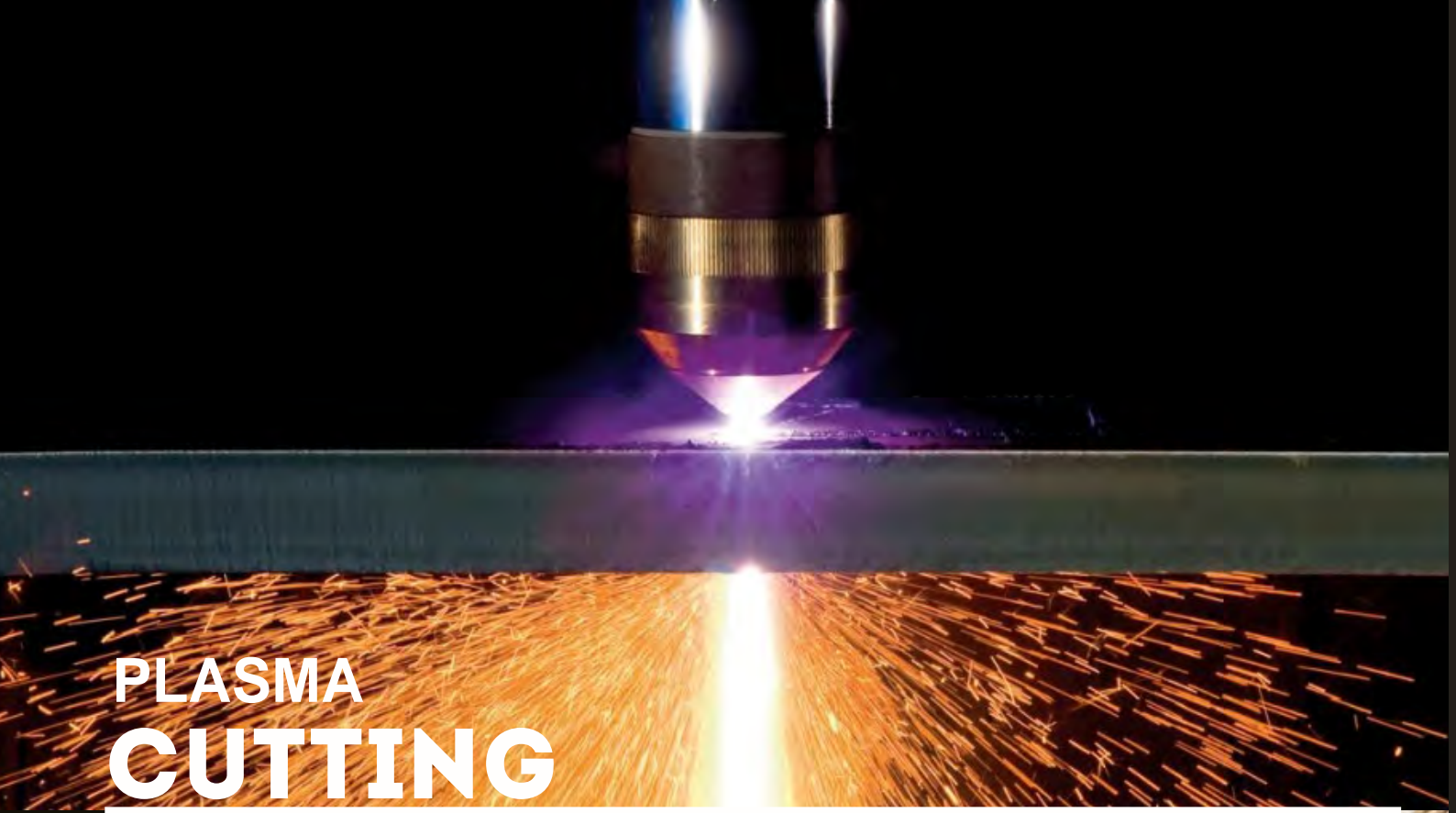


CS04293.40

THERMAL DYNAMIC®
PCH-35/40

END FITTINGS

 <p>3/8-24UNF</p> <p>1/8 Gas</p>	<p>CS04276</p>	<p>TO REPLACE: HYPERTHER® -MAX 40 - 80/100 ESAB® - LPC 50 - LPC 100</p>
 <p>M14 x 1</p> <p>1/8 Gas</p>	<p>CS04276</p>	<p>TO REPLACE: HYPERTHER® -MAX 40 - 80/100 ESAB® - LPC 50 - LPC 100</p>
 <p>9/16-18UNF</p> <p>1/8 Gas</p>	<p>CS04276</p>	<p>TO REPLACE: HYPERTHER® -MAX 40 - 80/100 ESAB® - LPC 50 - LPC 100</p>
 <p>1/4 G</p> <p>1/8 Gas</p>	<p>CS04276</p>	<p>TO REPLACE: HYPERTHER® -MAX 40 - 80/100 ESAB® - LPC 50 - LPC 100</p>
 <p>3/8 G</p> <p>1/8 Gas</p>	<p>CS04276</p>	<p>TO REPLACE: HYPERTHER® -MAX 40 - 80/100 ESAB® - LPC 50 - LPC 100</p>
 <p>M14 x 1.5</p> <p>1/8 Gas</p>	<p>CS04276</p>	<p>TO REPLACE: HYPERTHER® -MAX 40 - 80/100</p>
 <p>M12 x 1</p> <p>1/8 Gas</p>	<p>CS04276</p>	<p>TO REPLACE: HYPERTHER® -MAX 40 - 80/100</p>



PLASMA
CUTTING



ERGOWELD S.L.



EN.PLASMA.CAT.01.0117.R1